

# MANUFACTURERS OF ALUMINIUM SCAFFOLD TOWER EQUIPMENT

# EURO TOWERS LTD

EURO TOWERS LTD • UNIT 5 • EDGEMEAD CLOSE • ROUND SPINNEY  
NORTHAMPTON • NN3 8RG • TEL: 01604 644774 • FAX: 01604 499544  
INTERNET: www.eurotowers.co.uk • E-MAIL: sales@eurotowers.co.uk enquiries@eurotowers.co.uk

## MINIFOLD ASSEMBLY INSTRUCTIONS

MANUFACTURED TO A TUV CERTIFIED ISO 9002 QUALITY SYSTEM

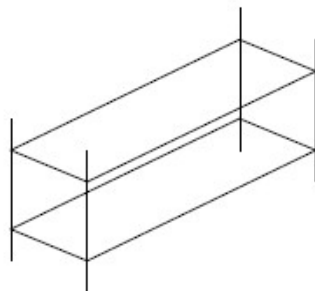
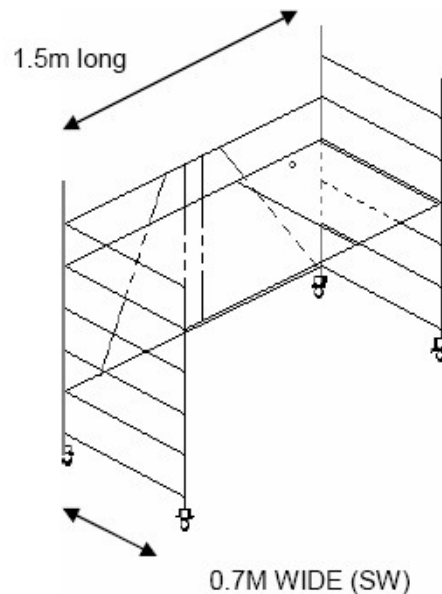
### ENSURE ALL PARTS ARE PRESENT BEFORE ASSEMBLING

#### MINIFOLD BASIC UNIT COMPRISING...

4 x K548 Castor and adaptor  
1 x MFFU Minifold Frame assembly  
1 x KFPT Minifold Trapdoor platform

1.

1. Ensure all castors are firmly fitted to the folding frame
2. Open folding frame and engage toggle clamps.
3. Position platform on a rung at desired level.
4. Always gain access to the platform via the trapdoor, when appropriate.
5. Toe boards are an optional extra, fit if required.  
(As illustrated below)
6. Fit preferred guardrail options if required,  
(As illustrated below)



#### MINIFOLD GUARDRAILS COMPRISING...

2 x MFGF Minifold Guardrail Frames  
4 x TTHB Minifold Horizontal Braces

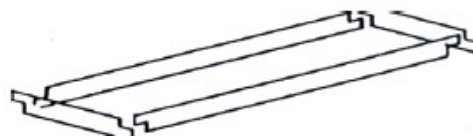
2.

1. Fit Guardrail Frame to folding frame.
2. Engage Interlock clips.
3. Fit four horizontal braces to vertical members of the frames.  
Hooks must face outwards on the vertical.

#### MINIFOLD TOEBOARDS COMPRISING...

1 x SWTB TOE BOARD SET  
Comprising of:  
2 x 1.5m Toe board Lengths  
2 x Single Width Toe board end

3.



1. Fit toe boards around the platform as illustrated to create a barrier around the foot area.

**MAX SAFE WORKING LOAD FOR PLATFORM/ STRUCTURE 250 KG**