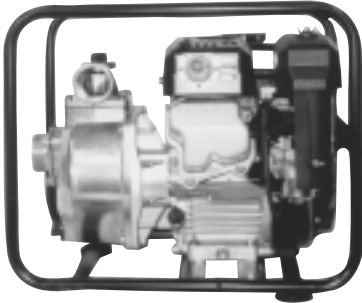


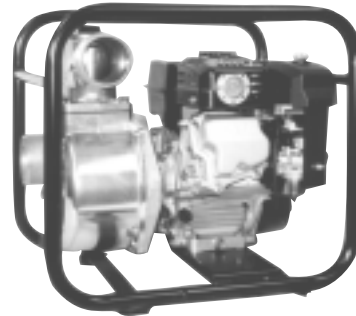


KOSHIN HIGH PERFORMANCE CENTRIFUGAL PUMP

ROBIN/SUBARU POWERED



SE-50EX



SE-80EX

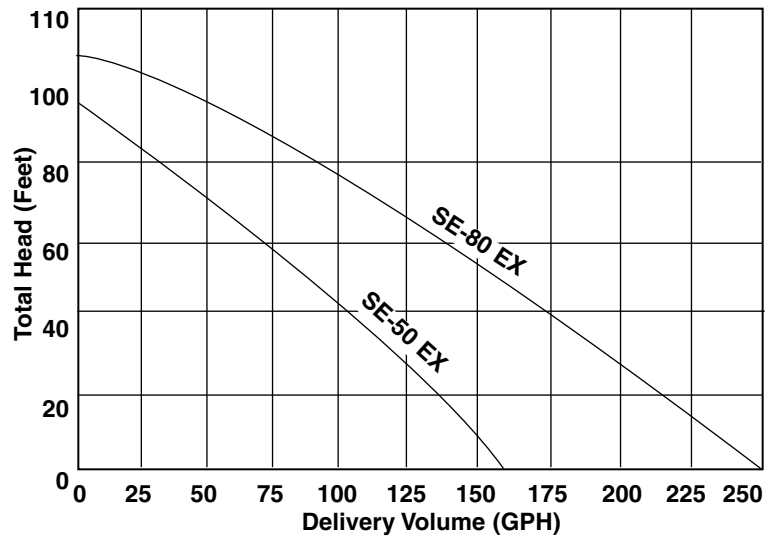
Features

- Impellers and Volutes are constructed of cast iron for durability and long operating life.
- Pump Casings are die cast aluminum for lightweight portability and strength
- Vibration Isolators are built into the full steel roll cage for pump and engine protection.
- Low Oil Sensors are standard, for superior engine lubrication and protection.
- Robin/Subaru EX Series OHC Engines, long life, fuel efficient, and 2 year engine warranty

Specifications

MODEL	SE-50EX	SE-80EX
Suction/Discharge Size	2" NPT	3" NPT
Maximum Capacity	158 GPM	256 GPM
Maximum Head	98 ft	102 ft
Maximum Suction Lift	26 ft	26 ft
Engine Type	Robin EX 13	Robin EX 17
Displacement	126 cc	169 cc
Horsepower	4.5	6.0
Fuel Tank Capacity	.71 gal.	.95 gal.
Fuel	Automotive Non Lead Gasoline	
Starting	Recoil Starter	
Net Weight	53 lbs.	67 lbs.

Performance Curve



KOSHIN AMERICA CORP.

Distributed by:

1218 Remington Road • Schaumburg, IL 60173
847/884-1570 • 800/634-4092 • FAX 847/310-0740