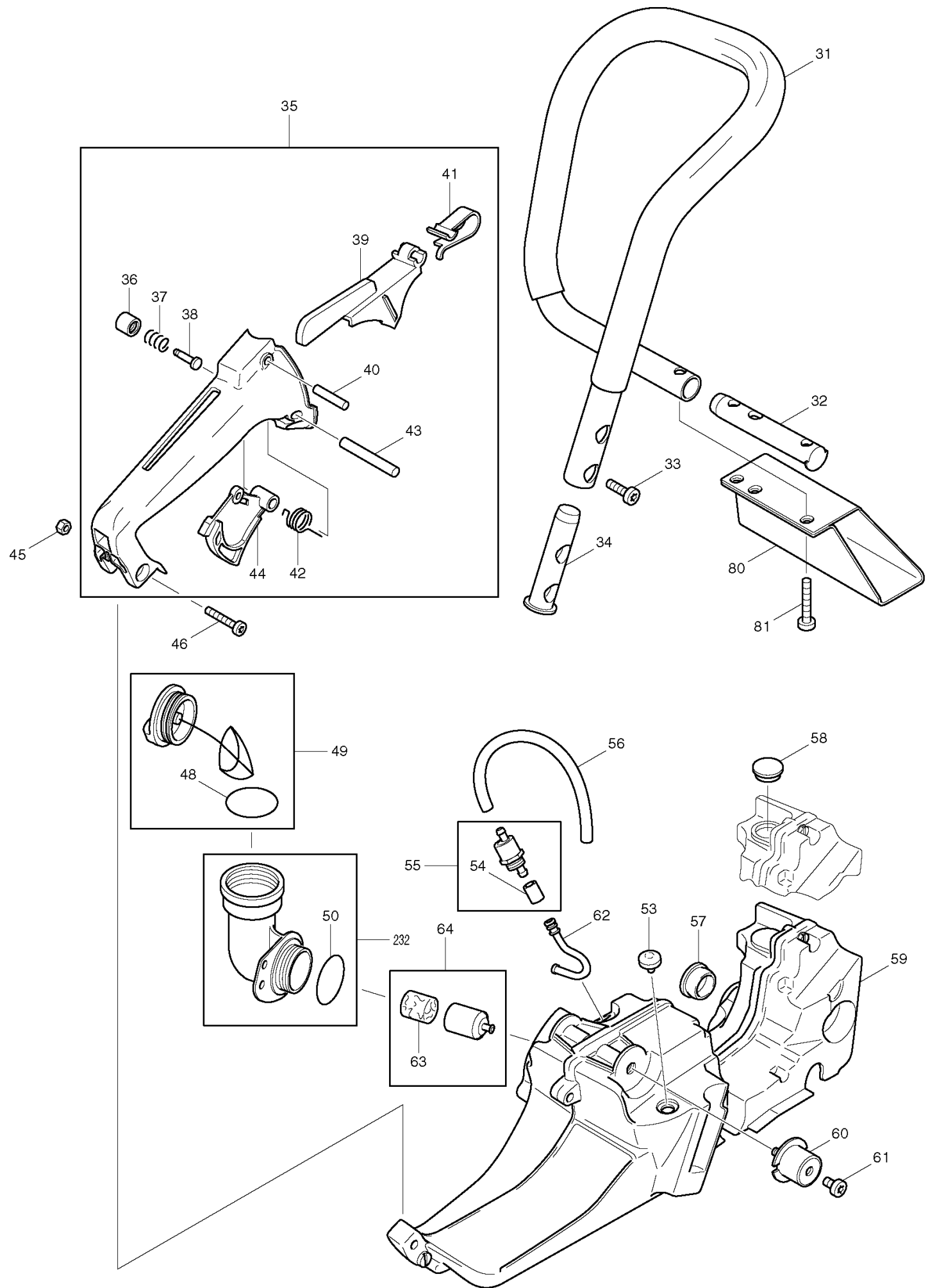
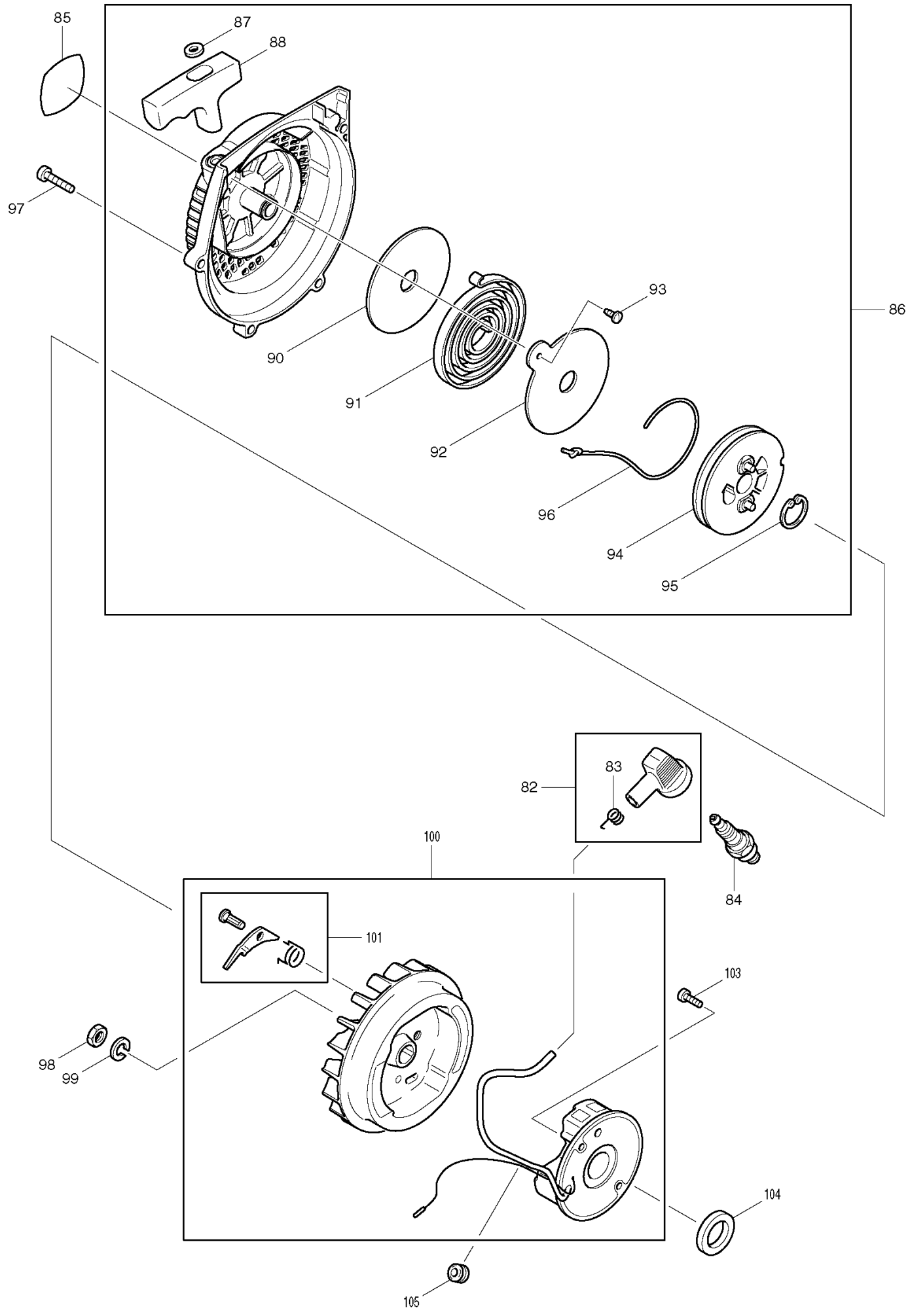


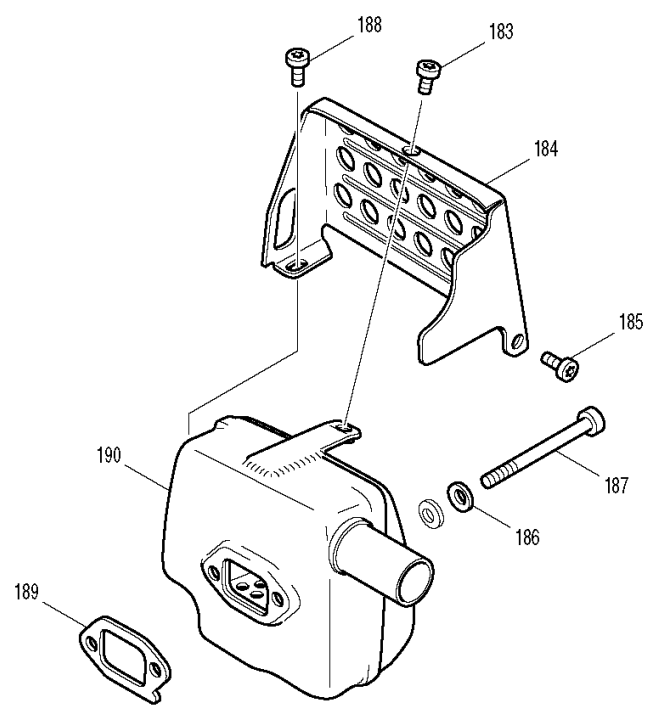
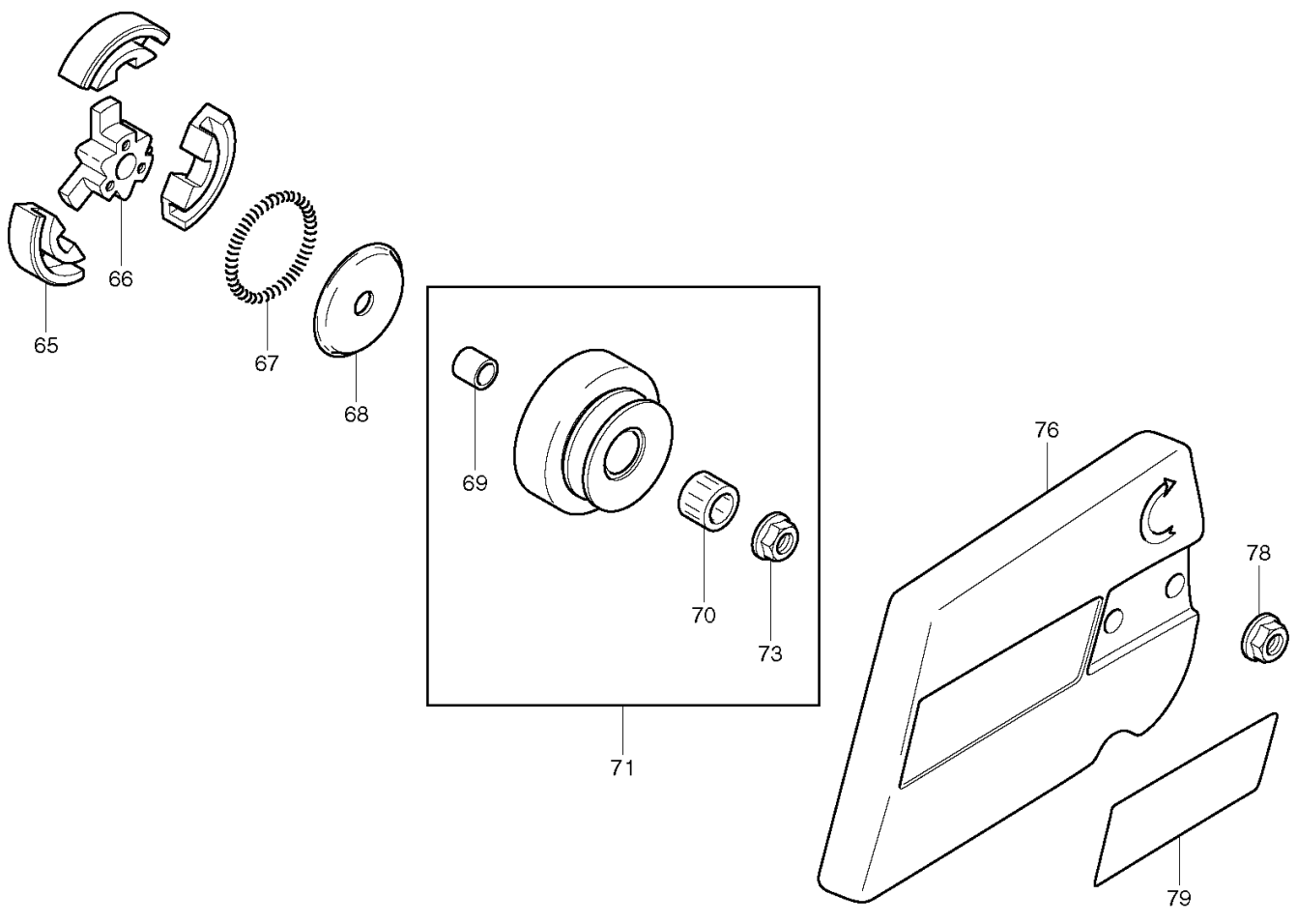
No.	Part no.	Name
10	939630370	KEY 3.0X3.7 DPC6430/7331/8132/
11	957605112	SHORT CIRCUIT SWITCH ASSY 430/
12	908005305	FILLISTER (TORX) SCREW M5X30 D
13	908005305	FILLISTER (TORX) SCREW M5X30 D
14	962900054	"RADIAL RING 17/28/5,4 DCS9000"
16	908006205	FILLISTER (TORX)HEAD SCREW M6
17	031111630	CRANKCASE MAG.SIDE DPC7000/95
18	965551051	TORX FILLISTER HEAD SCREW M6X
19	926206000	SPRING WASHER 6 DPC6410/7311/8
20	123213010	SQUARE NUT WITH PIVOT DPC7000
21	924306400	"DISC 6,4 DPC6410/7311/8112/DCS"
22	922606000	HEX NUT M6 DCS6000I/6800I/901
23	905810354	GUDGEON M10X35 DPC7000/9500
24	031111650	CRANKCASE CLUTCH SIDE DPC7500/
25	936430160	SPIRAL PIN 3X16 DPC6430/7331/8
26	965518013	GASKET DPC7000/9500
3	123132020	PISTON RING 47X1.5MM DPC7000
30	962900051	RADIAL RING 17/30X7 DPC7000/95
4	031132020	PISTON PIN DCS9000/9010
5	119132060	SPRING RING 12X1 DPC6430/7331/
6	965521023	GASKET DPC7000/9500
7	962210015	NEEDLE CAGE 12/16X13 DPC6430/7
8	960102179	BALL BEARING 6203 DCS9000/10
9	133120301	CRANKSHAFT DPC7000/9500



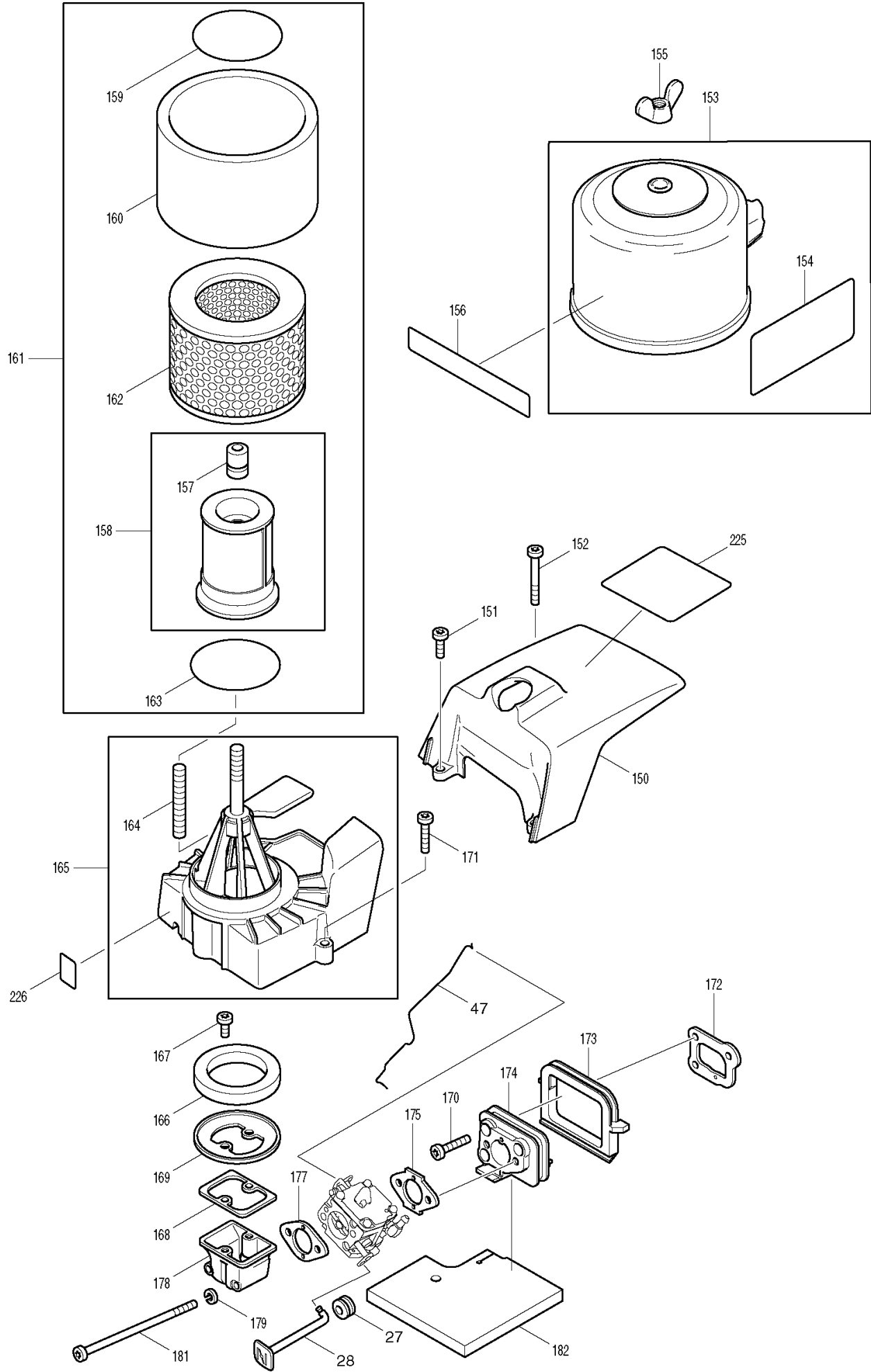
No.	Part no.	Name
31	123310011	HANDLE DPC7000
32	144310072	STRENGTHENING PIECE DPC7000/95
33	908006205	FILLISTER (TORX)HEAD SCREW M6
34	122310051	STRENGTHING PIECE DPC7000/9500
36	965451750	BUTTON DCS6000I/6800I/9010
37	965551160	PRESSURE SPRING DCS6000I/6800I
38	965551150	STOP PIN DCS6000I/6800I
39	119117030	ATCH LEVER DCS6000I/6800I
40	935940240	CYLINDRICAL PIN CS6000I/6800I
41	119117052	'SPRING DCS6000I/6800I
42	119117041	'SPRING DCS6000I/6800I
43	935950400	'CYLINDRIAL PIN 5X40 DCS6000I/
44	119117021	THROTTLE LEVER DPC7000/9500
45	920205000	'HEXAGONAL NUT M5 DCS330S/390/
46	908005305	FILLISTER (TORX) SCREW M5X30 D
48	965402750	GASKET DPC7000/9500
50	963232045	PACKING RING DCS430/520/4300I/
53	965402360	RUBBER BUFFER DPC7000/9500
54	965452490	'PLASTIC TUBE (M) DPC7000/9500
56	965452480	HOSE 4X2 DBC4510
57	965451560	'STOPPER DPC7000/9500
58	965451710	'STOPPER DPC7000/9500
59	123114600	'TANK DPC7000/9500
60	965403131	RUBBER BUFFER DPC7000/9500
61	908006105	FILLISTER HEAD BOLT
62	965450200	SUCTION LINE DCS6000I/6800I
63	963601240	FELT DPC6430/7331/8132/6410/73
80	392320100	FOOT DPC7000/9500
81	908006355	TORX FILLISTER HEAD SCREW M6X3



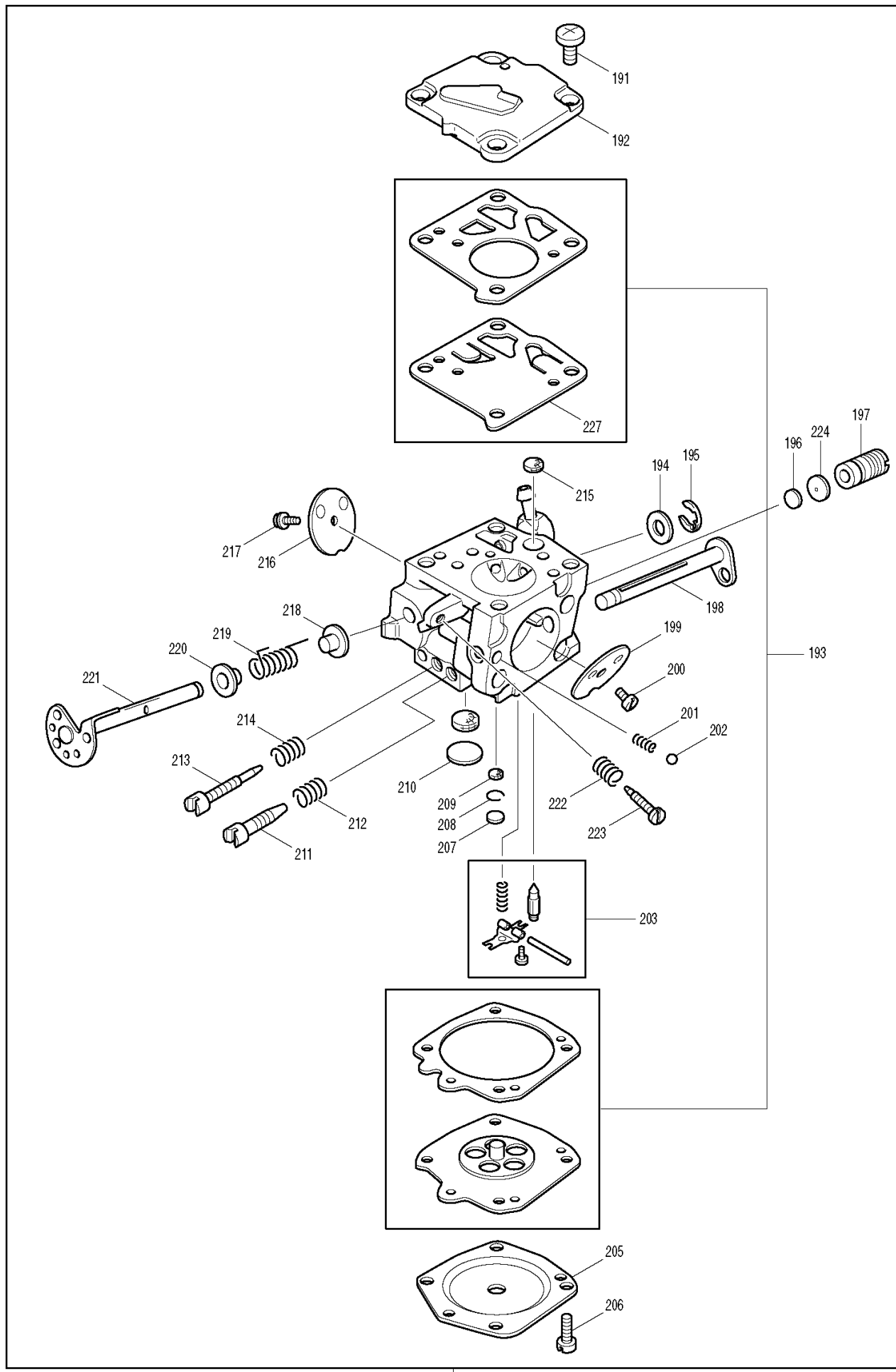
No.	Part no.	Name
101	031166010	STARTER RATCHET (SET) DPC6430/
103	908004125	TORX FILLISTER HEAD SCREW DPC
104	900003050	FELT RING 17/27X5 DPC7000/950
105	965401015	BUSHING DPC7000/9500
83	965604230	CONTACT SPRING DPC7000/9500
84	965603021	SPARK PLUG BPMR7A
85	980114094	LABEL DCS6000I/6800I
87	928405000	SPRING WASHER DPC6430/7331/813
88	965402262	STARTER GRIP DCS6000I/9010
90	900004363	SPACER DCS6000I/6800I
91	123163013	REWIND SPRING DCS6000I/6800I
92	123163020	SPRING COVER DCS6000I/6800I
93	907204102	THREAD FORMING SCREW 4X10 DCS6
94	123162031	CABLE DRUM
95	929314100	SNAP RING 14X1 DPC6430/7331/81
96	985000165	STARTER ROPE 4X100M DCS6000I/6
97	908005255	FILLISTER (TORX) HEAD SCREW M
98	920308024	HEX NUT M8 DCS4630/5030/5031/1
99	928308001	SPRING WASHER 8/17 DCS330S/390



No.	Part no.	Name
183	908005095	FILLISTER HEAD SCREW (TORX) M5
184	398174600	HEAT SHIELD DPC7000/9500
185	908005125	TORX HD SCREW M5X12 DPC6430/73
186	928406000	DISC 6 DCS6000I/6800I
187	908006655	FILLISTER HEAD SCREW
188	908005125	TORX HD SCREW M5X12 DPC6430/73
189	965518052	GASKET
190	123174159	MUFFLER DPC7000
65	123181010	CLUTCH SHOE (SET)
66	122182011	CLUTCH HUB DPC7000/9500
67	122184011	SPRING DCS5200I
68	122182030	GUIDE DISC DPC7000/9500
69	962200006	'INNER RING
70	962210027	NEEDLE CAGE DPC7000/9500
73	923210003	HEXAGONAL NUT M10 LEFT
76	398213600	'SPROCKET GUARD DPC7000/9500
78	923210002	'HEXAGONAL NUT DPC7000/9500
79	980114078	'LABEL DPC7000

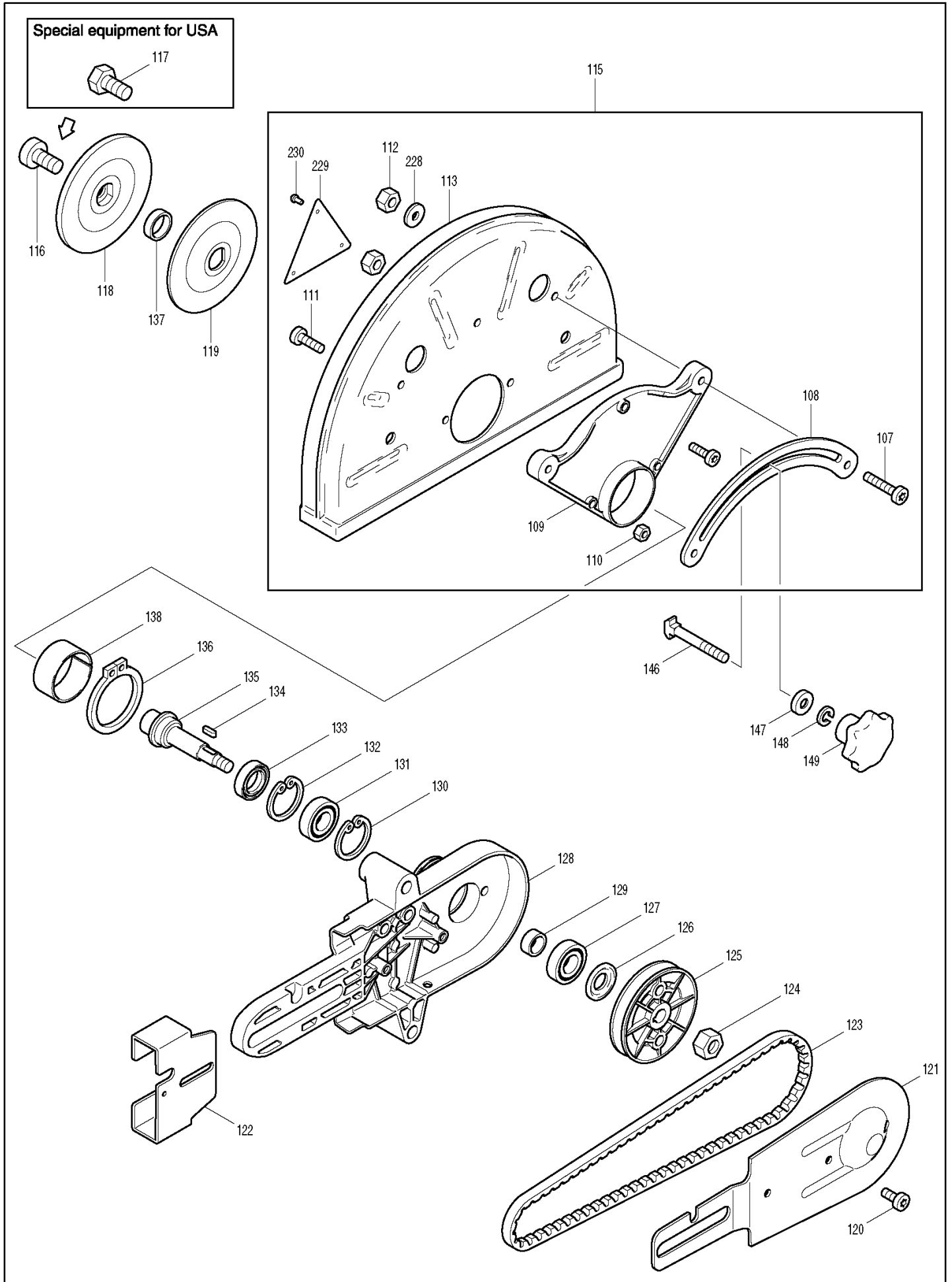


No.	Part no.	Name
150	392118010	HOOD (PLASTICS) DPC7000/9500
151	908005165	FILLISTER SCREW(TORX) M5X16 33
152	908305405	TORX FILLISTER HEAD SCREW M5X4
154	980113480	'LABEL DPC7000/9500
155	921708000	'WING NUT M8 DPC7000/9500
156	980114237	LABEL DCS4630/5030/5031/DCS350
157	965401025	RUBBER BUSH DPC7000/9500
159	963257070	PACKING RING 57X7 DPC7000/9500
160	001173000	PREFILTER DPC7000/9500
162	122173140	AIR FILTER DPC7000
163	963257070	PACKING RING 57X7 DPC7000/9500
164	905808555	'GUDGEON M8X55 DPC7000/9500
166	965402960	GASKET DPC7000/9500
167	908005125	TORX HD SCREW M5X12 DPC6430/73
168	965516090	'GASKET DPC7000/9500
169	144171040	'CONNECTING PLATE DPC7000/9500
170	991105257	SCREW M5X25
171	908005255	'FILLISTER (TORX) HEAD SCREW M
172	965518111	GASKET DPC7000/9500
173	133131041	'GASKET DPC7000
174	133131051	INTERMEDIATE FLANGE DPC7000/95
175	965518031	GASKET DPC7000/9500
177	965518090	GASKET DCS6000I/6800I
178	144171030	'CONNECTING SLEEVE DPC7000/950
179	926105001	'SPRING RING DCS430/520/4300I/
181	908205805	'TORX FILLISTER HEAD DPC7000 S
182	965402851	COVER FOAM PLATE DPC7000/9500
225	980114340	LABEL
226	980113841	LABEL DCS430/520/4300I/5200I/6
27	965401011	RUBBER BUSHING DCS330S/390/430
28	031150730	CHOKE CONTROL DPC7000/9500
47	122117054	THROTTLE LINKAGE DPC7000/9500



176

No.	Part no.	Name
191	113150170	'FILLISTER (TORX) HEAD SCREW
192	113150160	'PUMP COVER DCS6000I/6800I
194	122151400	DISC DCS6000I/6800I/9010/DPC64
195	100150350	SAFT CLIP PS9010/DPC6410/7311
196	115150560	'SEAL WASHER DPC7000/9500
197	122151551	'GOVERNOR VALVE (USE GLUE) DPC
198	031150020	'CHOKE SHAFT
199	113150261	CHOKE SHUTTER DPC6410/7311
200	113150370	'SCREW W. TOOTH LOCK WASHER DP
201	101150080	LOCKING SPRING DPC6410/7311
202	113150380	LOCKING BALL DPC6410/7311
203	957150010	SET OF CONTROL PARTS
205	122151121	'DIAPHRAGM COVER DPC7000/9500
206	001150140	'SCREW DPC7000/9500
207	113150030	'COVER DISC DCS6000I/6800I
208	107150240	'RING DCS6000I/6800I
209	107150230	'SCREEN DCS6000I/6800I
210	113150040	COVER DISC 9MM DPC6410/7311
211	122151510	MAIN ADJUSTMENT SCREW (H) DCS6
212	101150480	SPRING (H) DCS6000I/6800I
213	122151470	IDLE ADJUSTMENT SCREW (L) DCS6
214	144151480	SPRING (L) DCS6000I/6800I/9010
215	020150180	*SCREEN DCS6000I/6800I
216	144151320	THROTTLE SHUTTER DPC7000/9500
217	113150370	'SCREW W. TOOTH LOCK WASHER DP
218	144151315	BUSHING DCS6000I/6800I/9010
219	144151310	'SPRING DPC7000/9500
220	144151315	BUSHING DCS6000I/6800I/9010
221	122151302	'THROTTLE SHAFT DPC7000/9500
222	113150230	'SPRING DPC7000/9500
223	144151480	SPRING (L) DCS6000I/6800I/9010
224	001150060	'DISK
227	113150150	PUMP DIAPHR RUBBER DCS6000I/DP



No.	Part no.	Name
107	908006255	FILLISTER HEAD (TORX) SCREW M
108	392341040	'CLAMP DPC7000/9500
109	395341600	'SWIVEL SEGMENT DPC7000/9500
110	920406000	SAFETY HEX NUT M6 DPC6430/7331
111	908006205	FILLISTER (TORX)HEAD SCREW M6
112	920406000	SAFETY HEX NUT M6 DPC6430/7331
113	398341610	'PROTECTION HOOD DPC7000/9500
116	907310204	TORX FILLISTER HEAD SCREW LEFT
118	398228042	PRESSURE DISC DPC7000 20MM
119	395228053	PRESSURE DISC DPC7000
120	908006145	FILLISTER (TORX)HEAD SCREW M6
121	398410600	GUARD PLATE DPC7000/9500
122	398211610	'HAND GUARD DPC7000
123	965300450	V-BELT 762mm DPC7000/309
124	920410000	HEXAGONAL NUT M10 DPC7000/9500
125	397221090	V-BELT PULLEY DPC7000
126	963815320	PACKING RING DPC7000/9500
127	960102155	BALL BEARING 6202-RS C4 DPC700
128	398211600	GEAR HOUSING
129	900005009	DISTANCE RING 20/15X10
130	929235150	SNAP RING 35X1.5 DPC7000/9500
131	960102155	BALL BEARING 6202-RS C4 DPC700
132	929235150	SNAP RING 35X1.5 DPC7000/9500
133	962900036	RADIAL RING 25/35X6.5 DPC7000/
134	939144140	'KEY 4X4X14 DPC7000/9500
135	398228013	SHAFT 20 DPC7000/9500
136	929145175	'SNAP RING 45X1.75 DPC7000/950
137	392228040	ADAPTER BUSHING
138	398211090	BUSHING DPC7000/9500
146	910308601	'ADJUSTING SCREW DPC7000
147	900005075	DISTANCE RING 20/8.5X5 DPC7000
148	926208001	SPRING WASHER 8 DPC6430/7331/8
149	985000560	STAR KNOB M8 DPC7000 343
228	924806400	'WASHER 6.4 MLS6000
229	980114330	LABEL
230	938232483	""RIVET 3,2X4.8 DPC7000/9500"