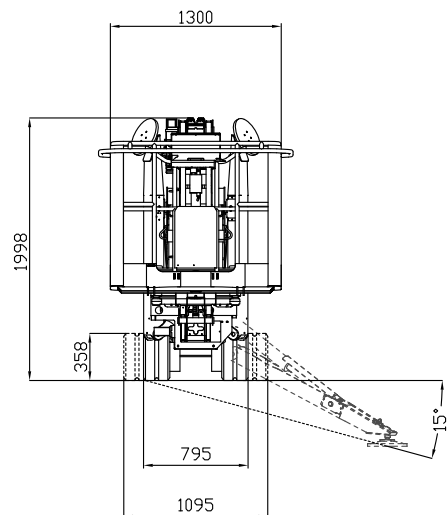
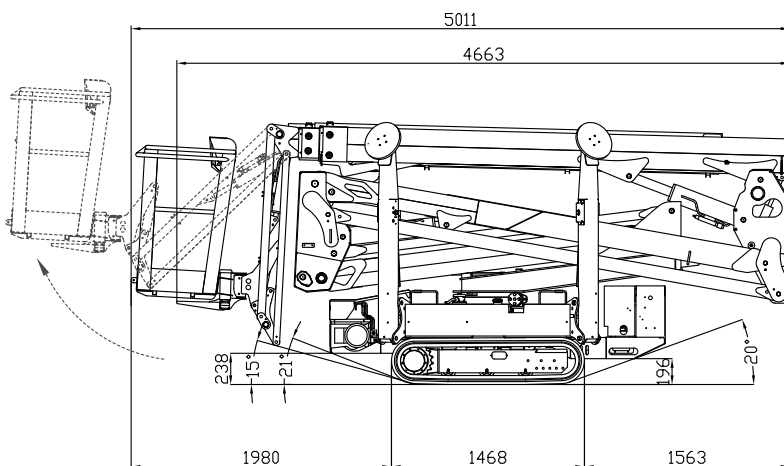
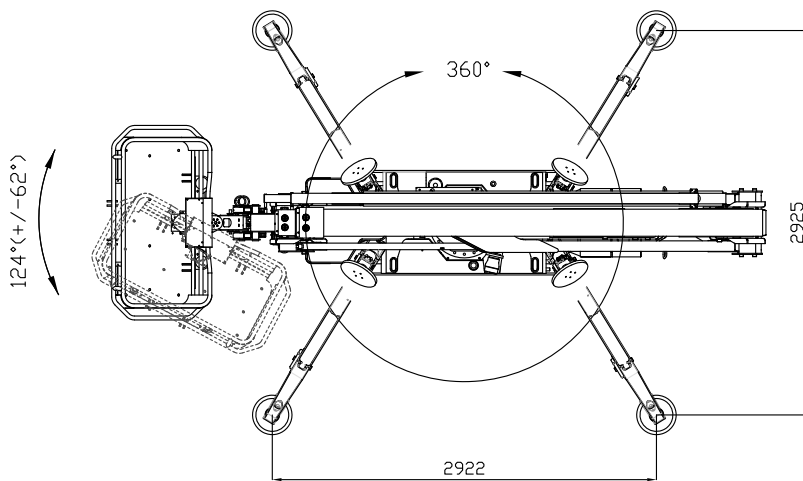


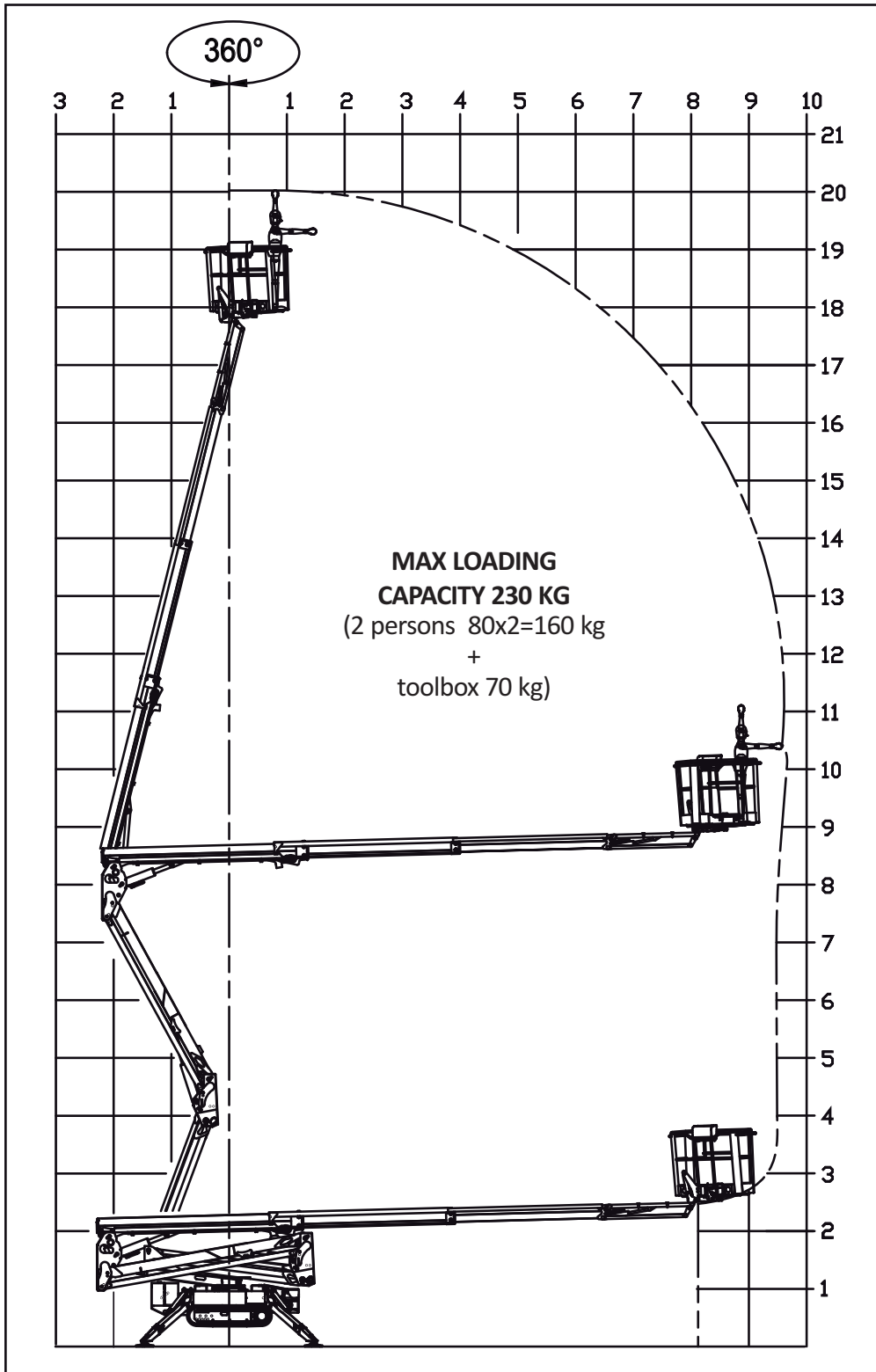
TRACKED AERIAL PLATFORMS



LIGHTLIFT 20.10 PERFORMANCE III S MK2



LIGHTLIFT 20.10 *PERFORMANCE III MK2*



TRACKED AERIAL PLATFORMS



LIGHTLIFT 20.10 *PERFORMANCE III S MK2*

PETROL ENGINE

Brand.....HONDA
TypeiGX440
Pistons no. and displacementsingle-cylinder 440 cc
Max. gross power..... 12,7 HP - 9,5 KW @ 3600 rpm
Electrical start 12 volt

DIESEL ENGINE

BrandPerkins
Type402.05 Autorev
Pistons no. and displacement.....double-cylinder 510 cc
Max. gross power 14 HP - 10,2 KW @ 3600 rpm
Electrical start 12 volt

ELECTRIC MOTOR

Standard230V / 50 Hz - 2,2 KW
Optional 110V / 50 Hz - 2,2 KW

HYDRAULIC PUMPS

Pump diesel engineno. 2 gear pumps
Pump electric motorno. 2 gear pumps

TRACKED UNDERCARRIAGE

Track tensionergrease-filled
Rollers no. per side3 + slide
Widening system.....795 / 1095 mm
Translation speed (with standard 3rd speed).....0,5 / 1,3 / 2,5 km/h

WEIGHT MACHINE (PETROL / DIESEL ENGINE) 2840 kg / 2940 kg
DIESEL FUEL TANK..... 11 liters
MAX UPPER SLANT16° / 28,7%
MAX WIND SPEED 12,5 m/s

LIGHTLIFT 20.10 *PERFORMANCE III S MK2*
LITHIUM 

ELECTRIC SYSTEM

Electric system voltage.....	72V-12V
Lithium battery pack.....	7,2 kWh
Autonomy (continuous cycle)*	4-5 h
Onboard battery charger	220V 50Hz
Optional battery charger	110V 50Hz
Recharge time on flat batteries.....	4 h (indicative)
Recharge time to 80% on flat batteries.....	2 h (indicative)

HYDRAULIC PUMPS

Electric motor	no.2 gear pumps
----------------------	-----------------

TRACKED UNDERCARRIAGE

Track tensioner	grease-filled
Rollers no. per side	3 + slide
Widening system.....	795 / 1095 mm
Translation speed	0,83 / 1,6 km/h

WEIGHT MACHINE	2950 kg
MAX UPPER SLANT	16° / 28,7%
MAX WIND SPEED	12,5 m/s

* (Autonomy measured with Hinowa H2 operating cycle)