

KOMATSU

PC138US-11
PC210LC-11
PC240LC/NLC-11
Super Long Front Specification

PC360LC-11
Long Reach Specification
Super Long Front Specification

HYDRAULIC EXCAVATOR



SUPER LONG FRONT/LONG REACH

ENGINE POWER

72,6 kW / 97,3 HP - 202 kW / 271 HP

OPERATING WEIGHT

15.100 kg - 43.150 kg

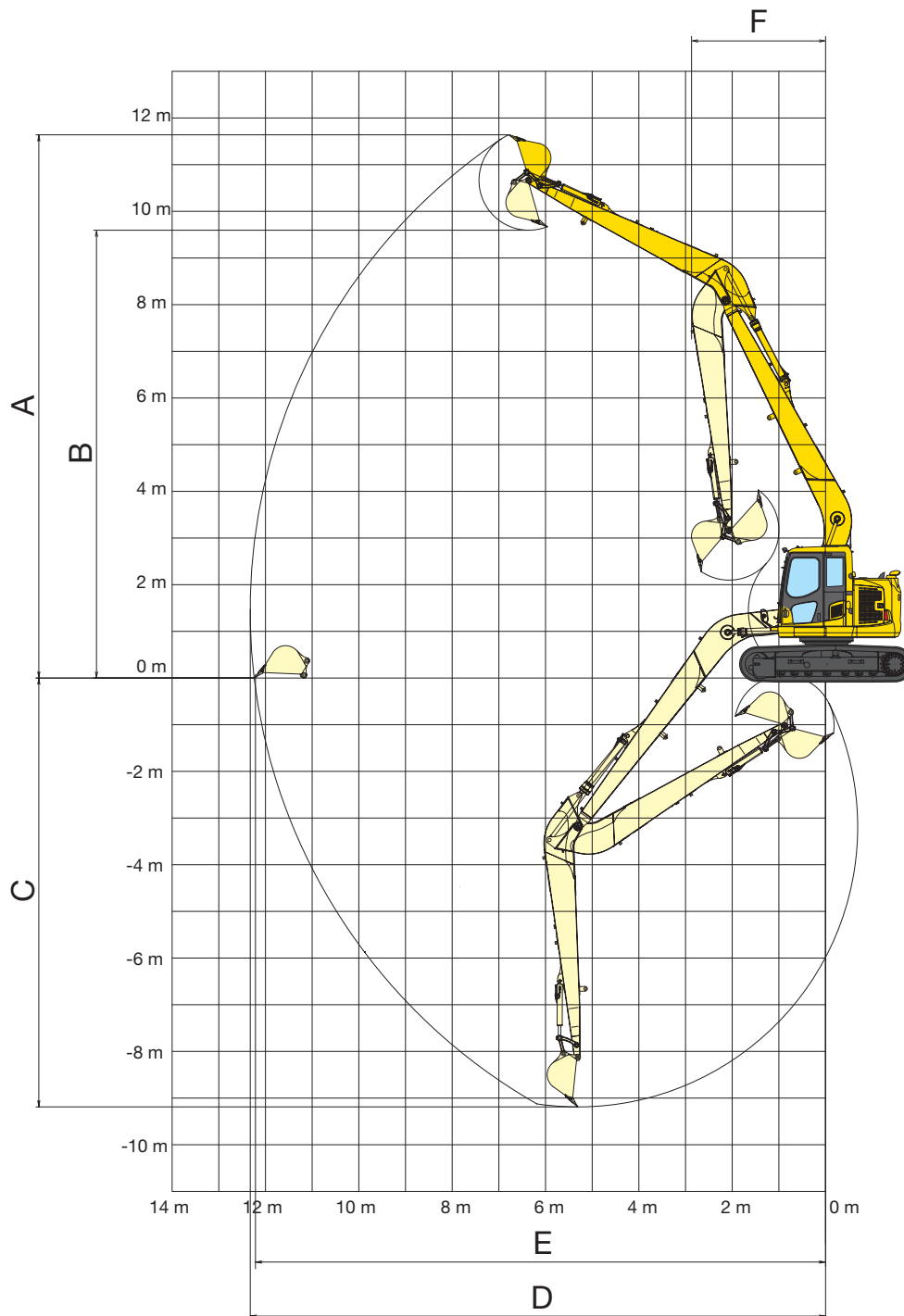
WORKING RANGE

12,3 m - 22,0 m

Working Range PC138US-11

SUPER LONG FRONT SPECIFICATION

SUPER LONG FRONT/LONG REACH



SUPER LONG FRONT

PC138US-11

| | | |
|---|------------------------------------|-----------|
| A | Max. digging height | 11.610 mm |
| B | Max. dumping height | 9.560 mm |
| C | Max. digging depth | 9.190 mm |
| D | Max. digging reach | 12.320 mm |
| E | Max. digging reach at ground level | 12.200 mm |
| F | Min. swing radius | 2.870 mm |

Specifications PC138US-11

ENGINE

| | |
|-----------------------------|---|
| Model | Komatsu SAA4D95LE-7 |
| Type | Common rail direct injection, water-cooled, emissionised, turbocharged, after-cooled diesel |
| Engine power | |
| at rated engine speed | 2.050 rpm |
| ISO 14396 | 72,6 kW / 97,3 HP |
| ISO 9249 (net engine power) | 72,5 kW/97,2 HP |
| No. of cylinders | 4 |
| Bore x stroke | 95 x 115 mm |
| Displacement | 3,26 l |
| Air filter type | Double element type with monitor panel dust indicator and auto dust evacuator |
| Cooling | Suction type cooling fan with radiator fly screen |
| Fuel | Diesel fuel, conforming to EN590 Class 2/Grade D. Paraffinic fuel capability (HVO, GTL, BTL), conforming to EN 15940:2016 |

HYDRAULIC SYSTEM

| | |
|-----------------------|--|
| Type | HydrauMind. Closed-centre system with load sensing and pressure compensation valves |
| Additional circuit | High flow additional hydraulic circuit and low flow additional hydraulic circuit |
| Main pump | 1 variable displacement piston pump supplying boom, arm, bucket, swing and travel circuits |
| Maximum pump flow | 242 l/min |
| Relief valve settings | |
| Implement | 355 kg/cm ² |
| Travel | 355 kg/cm ² |
| Swing | 265 kg/cm ² |
| Pilot circuit | 33 kg/cm ² |

SERVICE REFILL CAPACITIES

| | |
|-------------------------|--------|
| Fuel tank | 200 l |
| Radiator | 16,1 l |
| Engine oil | 11,5 l |
| Swing drive | 2,5 l |
| Hydraulic tank | 69 l |
| Final drive (each side) | 2,1 l |
| AdBlue® tank | 21,1 l |

OPERATING WEIGHT (APPR.)

| | Operating weight | Ground pressure |
|----------------------|------------------|-------------------------|
| Triple grouser shoes | | |
| 500 mm | 14.900 kg | 0,49 kg/cm ² |
| 600 mm | 15.100 kg | 0,43 kg/cm ² |
| 700 mm | 15.300 kg | 0,38 kg/cm ² |
| 500 mm road liner | 15.100 kg | 0,49 kg/cm ² |

Operating weight, including Super Long Front work equipment, 210 kg bucket, operator, lubricant, coolant, full fuel tank and the standard equipment.

SWING SYSTEM

| | |
|--------------|---|
| Type | Axial piston motor driving through planetary double reduction gearbox |
| Swing lock | Electrically actuated wet multidisc brake integrated into swing motor |
| Swing speed | 0 -11 rpm |
| Swing torque | 33 kNm |

DRIVES AND BRAKES

| | |
|----------------------|--|
| Steering control | 2 levers with pedals giving full independent control of each track |
| Drive method | Hydrostatic |
| Gradeability | 70%, 35° |
| Max. travel speeds | |
| Lo / Hi | 2,9 / 5,1 km/h |
| Maximum drawbar pull | 12.500 kg |
| Brake system | Hydraulically operated discs in each travel motor |

UNDERCARRIAGE

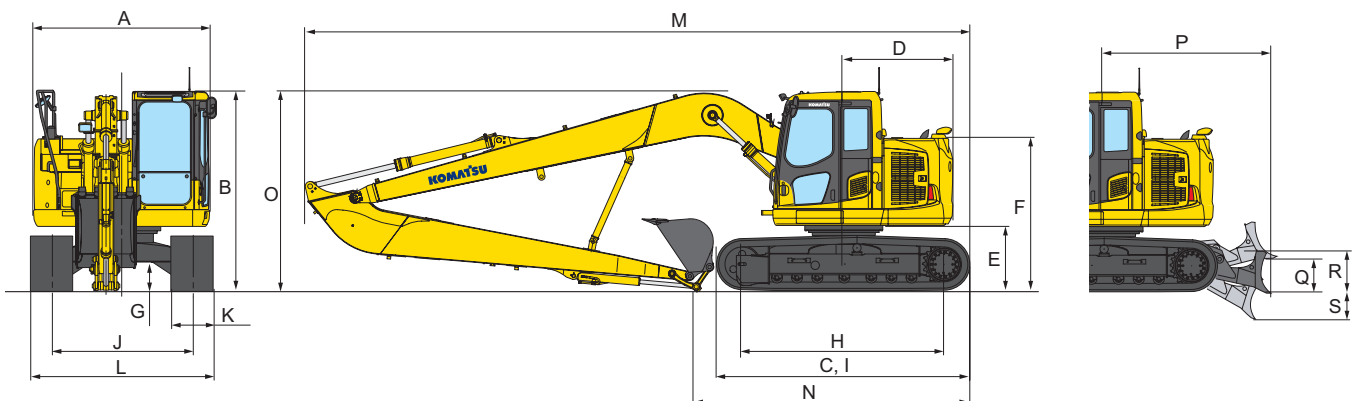
| | |
|-----------------------------|--|
| Construction | X-frame centre section with box section track frames |
| Track assembly | |
| Type | Fully sealed |
| Shoes (each side) | 43 |
| Tension | Combined spring and hydraulic unit |
| Rollers | |
| Track rollers (each side) | 7 |
| Carrier rollers (each side) | 1 |

ENVIRONMENT

| | |
|---|---|
| Engine emissions | Fully complies with EU Stage IV exhaust emission regulations |
| Noise levels | |
| LwA external | 99 dB(A) (2000/14/EC Stage II) |
| LpA operator ear | 72 dB(A) (ISO 6396 dynamic test) |
| Vibration levels (EN 12096:1997) | |
| Hand/arm | ≤ 2,5 m/s ² (uncertainty K = 0,63 m/s ²) |
| Body | ≤ 0,5 m/s ² (uncertainty K = 0,25 m/s ²) |
| Contains fluorinated greenhouse gas HFC-134a (GWP 1430). Quantity of gas 0,8 kg, CO ₂ equivalent 1,14 t | |

Dimensions PC138US-11

| MACHINE DIMENSIONS | PC138US-11 |
|---|------------------|
| A Overall width of upper structure | 2.490 mm |
| B Overall height of cab | 2.815 mm |
| C Overall length of basic machine | 3.610 mm |
| D Tail length | 1.540 mm |
| Tail swing radius | 1.540 mm |
| E Clearance under counterweight | 900 mm |
| F Machine tail height | 2.140 mm |
| G Ground clearance | 395 mm |
| H Tumbler centre distance | 2.880 mm |
| I Track length | 3.610 mm |
| J Track gauge | 1.990 mm |
| K Track shoe width | 500, 600, 700 mm |
| L Overall track width with 500 mm shoes | 2.490 mm |
| Overall track width with 600 mm shoes | 2.590 mm |
| Overall track width with 700 mm shoes | 2.690 mm |
| P Distance, swing center to blade | 2.500 mm |
| Q Blade, max. lifting height | 470 mm |
| R Height of blade | 590 mm |
| S Blade, max. digging depth | 525 mm |
| Blade width (with 500 mm shoes) | 2.490 mm |
| Blade width (with 600 mm shoes) | 2.590 mm |



TRANSPORT DIMENSIONS

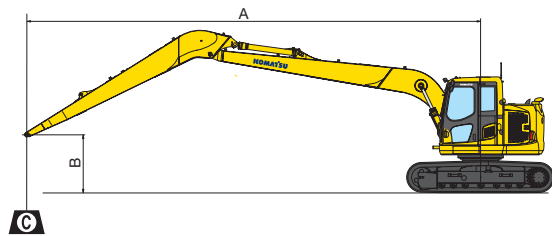
| | |
|-----------------------------------|----------|
| Arm length | 4.930 mm |
| Boom length | 6.490 mm |
| M Transport length | 9.580 mm |
| N Length on ground (transport) | 4.500 mm |
| O Overall height (to top of boom) | 2.780 mm |

Lifting Capacity PC138US-11

SUPER LONG FRONT SPECIFICATION

With 500 mm shoes

| A | ☉ | | 10,5 m | | 9,0 m | | 7,5 m | | 6,0 m | | 4,5 m | | 3,0 m | |
|--------|----|------|--------|-------|-------|--------|-------|--------|-------|--------|-------|--------|-------|---------------|
| | ☒ | ☑ | ☒ | ☑ | ☒ | ☑ | ☒ | ☑ | ☒ | ☑ | ☒ | ☑ | ☒ | ☑ |
| 7,5 m | kg | 690 | 660 | | | 1.210 | 1.190 | 1.510 | 1.490 | | | | | |
| 6,0 m | kg | 670 | 250 | | | *1.590 | 1.410 | *1.690 | 1.610 | | | | | |
| 4,5 m | kg | 590 | 580 | 1.060 | 1.040 | 1.810 | 1.610 | *1.990 | 1.810 | 2.040 | 1.960 | | | |
| 3,0 m | kg | 590 | 580 | 1.210 | 1.180 | 1.760 | 1.410 | *2.140 | 1.610 | *2.640 | 2.310 | *3.340 | 3.240 | |
| 1,5 m | kg | 570 | 570 | 1.160 | 1.140 | 1.810 | 1.260 | 2.060 | 1.560 | 2.260 | 2.190 | *3.840 | 3.110 | *3.240 *3.240 |
| 0,0 m | kg | 630 | 620 | 1.160 | 1.140 | 1.690 | 1.160 | 2.030 | 1.310 | 2.210 | 2.010 | *3.190 | 2.790 | *3.090 *3.090 |
| -1,5 m | kg | *740 | *740 | 1.160 | 1.110 | 1.670 | 1.160 | 2.000 | 1.260 | 2.190 | 2.010 | *2.640 | 2.510 | *2.940 *2.940 |
| -3,0 m | kg | *840 | *840 | | | 1.630 | 1.090 | 1.990 | 1.210 | 2.230 | 1.880 | *2.540 | 2.410 | *2.940 *2.940 |
| -4,5 m | kg | *990 | *990 | | | 1.610 | 1.080 | 1.990 | 1.210 | 2.240 | 1.690 | *2.840 | 2.410 | *2.940 *2.940 |



A – Reach from swing center

B – Bucket hook height

C – Lifting capacities

Weights:

Bucket linkage and bucket cylinder: 100 kg

☒ – Rating over front

☑ – Rating over side

☉ – Rating at maximum reach

* Load is limited by hydraulic capacity rather than tipping. Ratings are based on ISO 10567:2007.

Rated loads do not exceed 87% of hydraulic lift capacity or 75% of tipping load.

Lifting capacity stated is based on lifting with bare arm. When lifting with additional equipment installed to the arm, please subtract the weight of all additional equipment from the values stated. Lifting capacity table is published for guidance only, the machine is not intended for use as a crane.

BUCKET CAPACITY TABLE

PC138US-11

General purpose bucket

| | |
|---|----------------------------|
| Max. bucket width | 750 mm |
| Max bucket volume | |
| Material density up to 1,2 t/m ³ | 0,33 m ³ 230 kg |
| Material density up to 1,5 t/m ³ | 0,28 m ³ 210 kg |

Ditch cleaning bucket

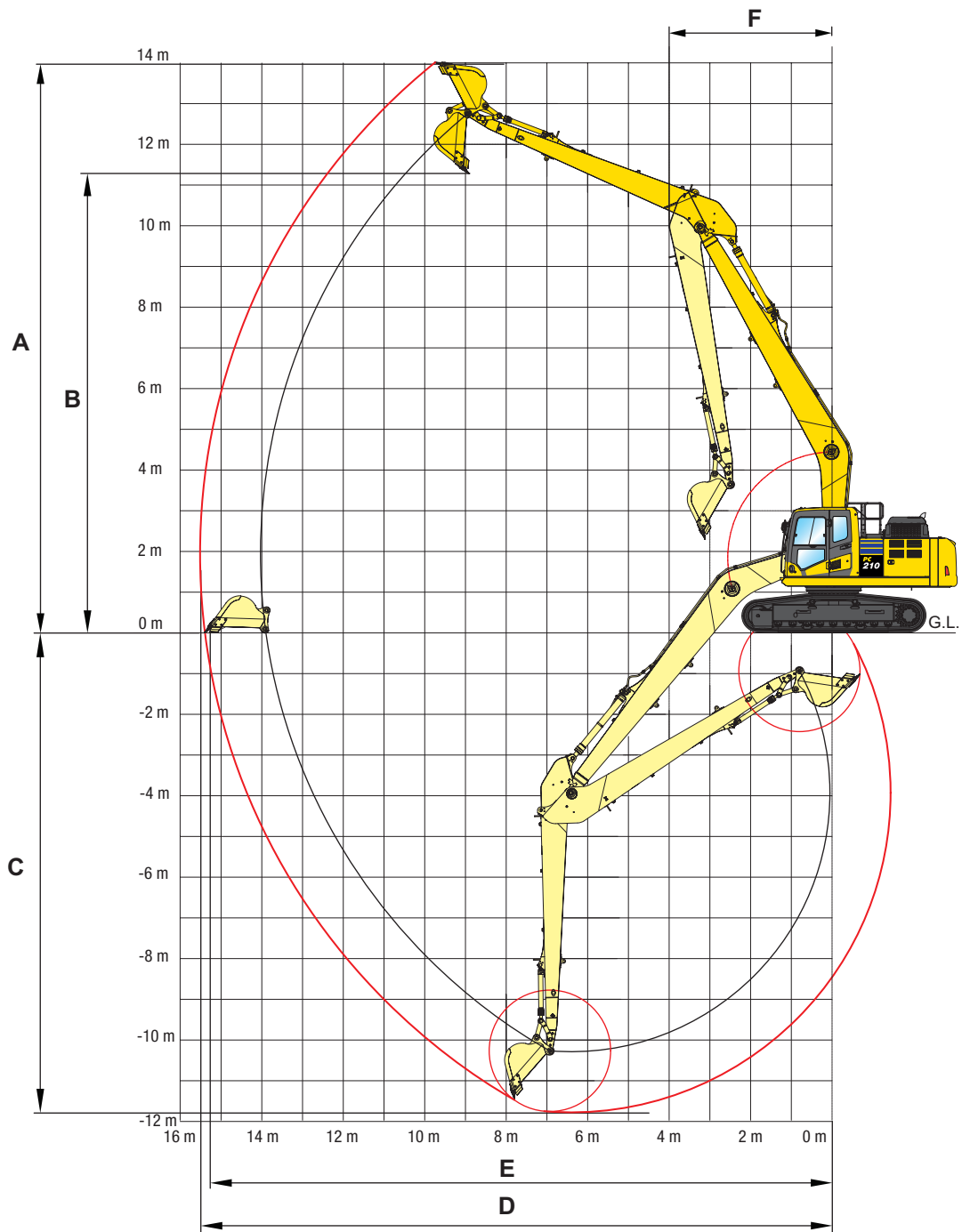
| | |
|-----------------------------|--------|
| Max. bucket width | 750 mm |
| Maximum load at end of arm* | 620 kg |

* Maximum load at end of arm (bucket + payload). Max. capacity and weight have been calculated according to ISO 10567:2007.

Please consult with your distributor for the correct selection of buckets and attachments to suit the application.

Working Range PC210LC-11

SUPER LONG FRONT SPECIFICATION



SUPER LONG FRONT

PC210LC-11

| | | |
|---|------------------------------------|-----------|
| A | Max. digging height | 13.980 mm |
| B | Max. dumping height | 11.240 mm |
| C | Max. digging depth | 11.790 mm |
| D | Max. digging reach | 15.435 mm |
| E | Max. digging reach at ground level | 15.340 mm |
| F | Min. swing radius | 4.000 mm |

Specifications PC210LC-11

ENGINE

| | |
|-----------------------------|---|
| Model | Komatsu SAA6D107E-3 |
| Type | Common rail direct injection, water-cooled, emissionised, turbocharged, after-cooled diesel |
| Engine power | |
| at rated engine speed | 2.000 rpm |
| ISO 14396 | 123 kW / 165 HP |
| ISO 9249 (net engine power) | 123 kW / 165 HP |
| No. of cylinders | 6 |
| Bore x stroke | 107 x 124 mm |
| Displacement | 6,69 l |
| Air filter type | Double element type with monitor panel dust indicator and auto dust evacuator |
| Cooling | Suction type cooling fan with radiator fly screen |
| Fuel | Diesel fuel, conforming to EN590 Class 2/Grade D. Paraffinic fuel capability (HVO, GTL, BTL), conforming to EN 15940:2016 |

HYDRAULIC SYSTEM

| | |
|-----------------------|---|
| Type | HydrauMind. Closed-centre system with load sensing and pressure compensation valves |
| Additional circuits | 1 additional circuit for tilting buckets is fitted as standard |
| Main pump | 2 variable displacement piston pumps supplying boom, arm, bucket, swing and travel circuits |
| Maximum pump flow | 475 l/min |
| Relief valve settings | |
| Implement | 380 kg/cm ² |
| Travel | 380 kg/cm ² |
| Swing | 295 kg/cm ² |
| Pilot circuit | 33 kg/cm ² |

SERVICE REFILL CAPACITIES

| | |
|-------------------------|--------|
| Fuel tank | 400 l |
| Radiator | 30,7 l |
| Engine oil | 23,1 l |
| Swing drive | 6,5 l |
| Hydraulic tank | 132 l |
| Final drive (each side) | 5,0 l |
| AdBlue® tank | 23,1 l |

OPERATING WEIGHT (APPR.)

| Triple grouser shoes | Operating weight | Ground pressure |
|----------------------|------------------|-------------------------|
| 600 mm | 23.470 kg | 0,49 kg/cm ² |
| 700 mm | 23.740 kg | 0,42 kg/cm ² |
| 800 mm | 24.060 kg | 0,38 kg/cm ² |
| 900 mm | 24.330 kg | 0,34 kg/cm ² |

Operating weight, including Super Long Front work equipment, 370 kg bucket, operator, lubricant, coolant, full fuel tank and the standard equipment.

SWING SYSTEM

| | |
|--------------|---|
| Type | Axial piston motor driving through planetary double reduction gearbox |
| Swing lock | Electrically actuated wet multidisc brake integrated into swing motor |
| Swing speed | 0 - 4,9 rpm |
| Swing torque | 65 kNm |

DRIVES AND BRAKES

| | |
|----------------------|--|
| Steering control | 2 levers with pedals giving full independent control of each track |
| Drive method | Hydrostatic |
| Travel operation | Automatic 3-speed selection |
| Gradeability | 70%, 35° |
| Max. travel speeds | |
| Lo / Mi / Hi | 3,0 / 4,1 / 5,5 km/h |
| Maximum drawbar pull | 20.600 kg |
| Brake system | Hydraulically operated discs in each travel motor |

UNDERCARRIAGE

| | |
|-----------------------------|--|
| Construction | X-frame centre section with box section track frames |
| Track assembly | |
| Type | Fully sealed |
| Shoes (each side) | 49 |
| Tension | Combined spring and hydraulic unit |
| Rollers | |
| Track rollers (each side) | 9 |
| Carrier rollers (each side) | 2 |

ENVIRONMENT

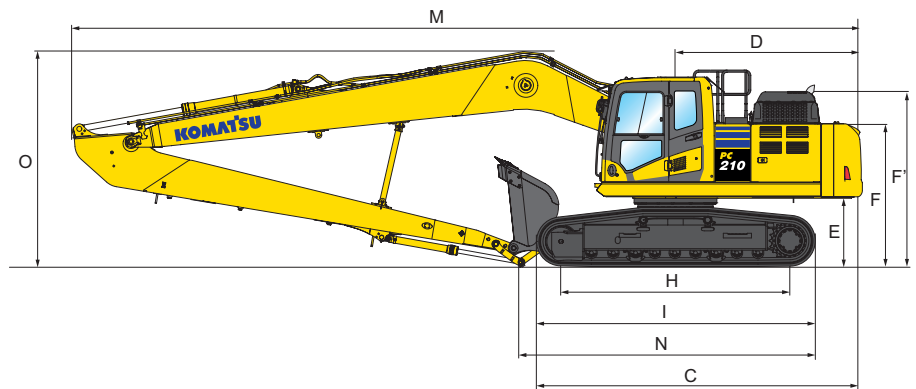
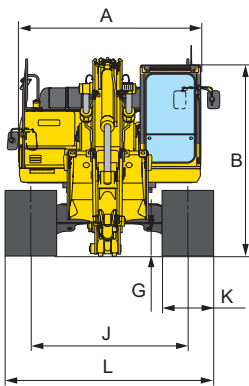
| | |
|---|---|
| Engine emissions | Fully complies with EU Stage V exhaust emission regulations |
| Noise levels | |
| LwA external | 100 dB(A) (2000/14/EC Stage II) |
| LpA operator ear | 67 dB(A) (ISO 6396 dynamic test) |
| Vibration levels (EN 12096:1997) | |
| Hand/arm | ≤ 2,5 m/s ² (uncertainty K = 0,49 m/s ²) |
| Body | ≤ 0,5 m/s ² (uncertainty K = 0,24 m/s ²) |
| Contains fluorinated greenhouse gas HFC-134a (GWP 1430). Quantity of gas 0,9 kg, CO ₂ equivalent 1,29 t | |

Dimensions PC210LC-11

MACHINE DIMENSIONS

PC210LC-11

| | | |
|----|---|-----------------------|
| A | Overall width of upper structure | 2.705 mm |
| B | Overall height of cab | 3.045 mm |
| C | Overall length of basic machine | 5.215 mm |
| D | Tail length | 2.990 mm |
| | Tail swing radius | 3.020 mm |
| E | Clearance under counterweight | 1.085 mm |
| F | Machine tail height | 2.250 mm |
| F' | Machine tail height (top of engine cover) | 2.765 mm |
| G | Ground clearance | 440 mm |
| H | Tumbler centre distance | 3.655 mm |
| I | Track length | 4.450 mm |
| J | Track gauge | 2.380 mm |
| K | Track shoe width | 600, 700, 800, 900 mm |
| L | Overall track width with 600 mm shoes | 2.980 mm |
| | Overall track width with 700 mm shoes | 3.080 mm |
| | Overall track width with 800 mm shoes | 3.180 mm |
| | Overall track width with 900 mm shoes | 3.280 mm |



TRANSPORT DIMENSIONS

PC210LC-11

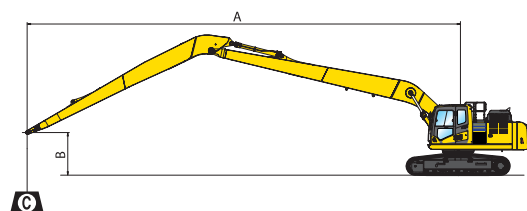
| | | |
|---|---------------------------------|-----------|
| | Arm length | 7.395 mm |
| | Boom length | 8.795 mm |
| M | Transport length | 12.590 mm |
| N | Length on ground (transport) | 4.705 mm |
| O | Overall height (to top of boom) | 3.560 mm |

Lifting Capacity PC210LC-11

SUPER LONG FRONT SPECIFICATION

With 700 mm shoes

| B | ⊗ | | 13,0 m | | 12,0 m | | 11,0 m | | 10,0 m | | 9,0 m | | 8,0 m | | 7,0 m | | 6,0 m | | |
|--------|----|--------|--------|--------|--------|--------|--------|--------|--------|--------|--------|--------|--------|--------|--------|--------|--------|--------|--------|
| | ⊗ | ⊗ | ⊗ | ⊗ | ⊗ | ⊗ | ⊗ | ⊗ | ⊗ | ⊗ | ⊗ | ⊗ | ⊗ | ⊗ | ⊗ | ⊗ | ⊗ | ⊗ | |
| 10,0 m | kg | *1.300 | *1.300 | | | | | *1.750 | *1.750 | *2.050 | *2.050 | | | | | | | | |
| 9,0 m | kg | *1.250 | *1.250 | | | | | *2.150 | 2.150 | *2.100 | *2.100 | | | | | | | | |
| 6,0 m | kg | *1.250 | *1.250 | *1.800 | 1.650 | *2.350 | 1.950 | *2.350 | 2.300 | *2.400 | *2.400 | *2.400 | *2.400 | | | | | | |
| 3,0 m | kg | *1.350 | 1.300 | 2.500 | 1.550 | *2.700 | 1.800 | *2.800 | 2.100 | *2.950 | 2.450 | *3.150 | 2.900 | *3.450 | *3.450 | *3.800 | *3.800 | *4.350 | *4.350 |
| 0,0 m | kg | *1.550 | 1.250 | 2.350 | 1.400 | 2.700 | 1.600 | 3.050 | 1.850 | 3.500 | 2.150 | *3.950 | 2.500 | *4.500 | 2.980 | *5.200 | 3.550 | *6.200 | 4.350 |
| -3,0 m | kg | *1.950 | 1.350 | 2.300 | 1.370 | 2.600 | 1.500 | 2.900 | 1.700 | 3.300 | 1.950 | 3.850 | 2.300 | 4.500 | 2.700 | 5.450 | 3.200 | 6.850 | 3.950 |
| -6,0 m | kg | *2.750 | 1.600 | | | | | 2.950 | 1.750 | 3.300 | 1.950 | 3.850 | 2.250 | 4.500 | 2.650 | 5.450 | 3.200 | 6.850 | 3.950 |
| -9,0 m | kg | *3.900 | 2.550 | | | | | | | | | | | *4.450 | 2.900 | *5.200 | 3.500 | *6.050 | 4.300 |



A – Reach from swing center

B – Bucket hook height

C – Lifting capacities

Weights:

Bucket linkage and bucket cylinder: 195 kg

⊗ – Rating over front

⊗ – Rating over side

⊗ – Rating at maximum reach

* Load is limited by hydraulic capacity rather than tipping. Ratings are based on ISO 10567:2007.

Rated loads do not exceed 87% of hydraulic lift capacity or 75% of tipping load.

Lifting capacity stated is based on lifting with bare arm. When lifting with additional equipment installed to the arm, please subtract the weight of all additional equipment from the values stated. Lifting capacity table is published for guidance only, the machine is not intended for use as a crane.

BUCKET CAPACITY TABLE

PC210LC-11

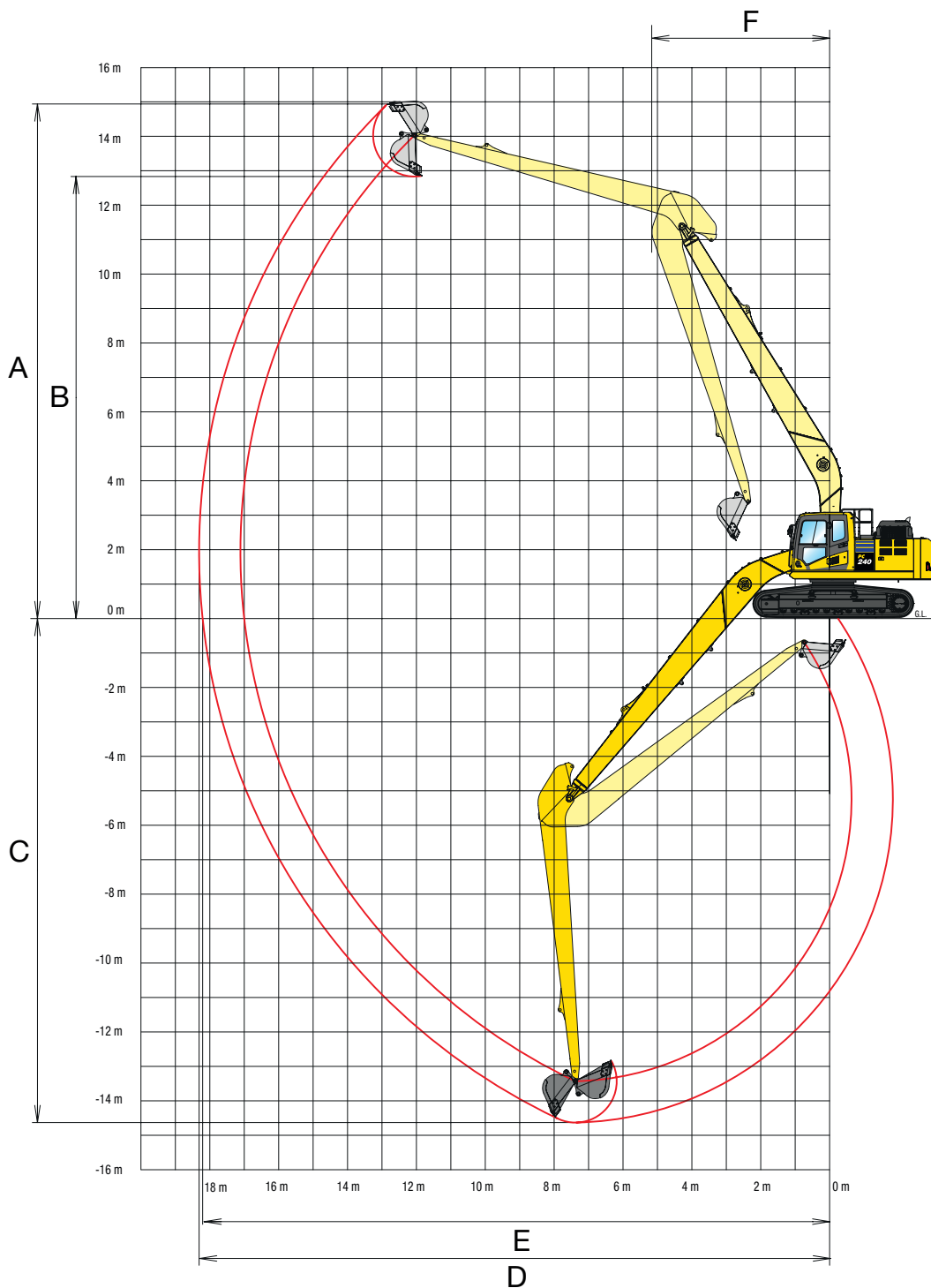
| General purpose bucket | |
|---|----------------------------|
| Max. bucket width | 955 mm |
| Max bucket volume | |
| Material density up to 1,2 t/m ³ | 0,66 m ³ 525 kg |
| Material density up to 1,5 t/m ³ | 0,56 m ³ 475 kg |
| Material density up to 1,8 t/m ³ | 0,49 m ³ 425 kg |
| Ditch cleaning bucket | |
| Max. bucket width | 2.100 mm |
| Maximum load at end of arm* | 1.300 kg |

* Maximum load at end of arm (bucket + payload). Max. capacity and weight have been calculated according to ISO 10567:2007.

Please consult with your distributor for the correct selection of buckets and attachments to suit the application.

Working Range PC240LC/NLC-11

SUPER LONG FRONT SPECIFICATION



SUPER LONG FRONT

PC240LC/NLC-11

| | | |
|---|------------------------------------|-----------|
| A | Max. digging height | 14.970 mm |
| B | Max. dumping height | 12.860 mm |
| C | Max. digging depth | 14.635 mm |
| D | Max. digging reach | 18.290 mm |
| E | Max. digging reach at ground level | 18.190 mm |
| F | Min. swing radius | 5.195 mm |

Specifications PC240LC/NLC-11

ENGINE

| | |
|-----------------------------|---|
| Model | Komatsu SAA6D107E-3 |
| Type | Common rail direct injection, water-cooled, emissionised, turbocharged, after-cooled diesel |
| Engine power | |
| at rated engine speed | 2.000 rpm |
| ISO 14396 | 141 kW/189 HP |
| ISO 9249 (net engine power) | 132 kW/177 HP |
| No. of cylinders | 6 |
| Bore × stroke | 107 × 124 mm |
| Displacement | 6,69 l |
| Air filter type | Double element type with monitor panel dust indicator and auto dust evacuator |
| Cooling | Suction type cooling fan with radiator fly screen |
| Fuel | Diesel fuel, conforming to EN590 Class 2/Grade D. Paraffinic fuel capability (HVO, GTL, BTL), conforming to EN 15940:2016 |

HYDRAULIC SYSTEM

| | |
|-----------------------|---|
| Type | HydrauMind. Closed-centre system with load sensing and pressure compensation valves |
| Additional circuits | 1 additional circuit for tilting buckets is fitted as standard |
| Main pump | 2 variable displacement piston pumps supplying boom, arm, bucket, swing and travel circuits |
| Maximum pump flow | 2 × 237,5 l/min |
| Relief valve settings | |
| Implement | 380 kg/cm ² |
| Travel | 380 kg/cm ² |
| Swing | 295 kg/cm ² |
| Pilot circuit | 33 kg/cm ² |

SERVICE REFILL CAPACITIES

| | |
|-------------------------|--------|
| Fuel tank | 400 l |
| Radiator | 36,0 l |
| Engine oil | 23,1 l |
| Swing drive | 7,2 l |
| Hydraulic tank | 132 l |
| Final drive (each side) | 5,0 l |
| AdBlue® tank | 23,1 l |

OPERATING WEIGHT (APPR.)

| | PC240LC-11 | | PC240NLC-11 | |
|----------------------|------------------|-------------------------|------------------|-------------------------|
| | Operating weight | Ground pressure | Operating weight | Ground pressure |
| Triple grouser shoes | | | | |
| 600 mm | 28.000 kg | 0,56 kg/cm ² | 27.400 kg | 0,57 kg/cm ² |
| 700 mm | 28.300 kg | 0,48 kg/cm ² | 27.700 kg | 0,50 kg/cm ² |
| 800 mm | 28.600 kg | 0,43 kg/cm ² | 28.000 kg | 0,44 kg/cm ² |
| 900 mm | 28.900 kg | 0,38 kg/cm ² | – | – |

Operating weight, including Super Long Front work equipment, 410 kg bucket, operator, lubricant, coolant, full fuel tank and the standard equipment.

SWING SYSTEM

| | |
|--------------|---|
| Type | Axial piston motor driving through planetary double reduction gearbox |
| Swing lock | Electrically actuated wet multidisc brake integrated into swing motor |
| Swing speed | 0 - 4,3 rpm |
| Swing torque | 75 kNm |

DRIVES AND BRAKES

| | |
|----------------------|--|
| Steering control | 2 levers with pedals giving full independent control of each track |
| Drive method | Hydrostatic |
| Travel operation | Automatic 3-speed selection |
| Gradeability | 70%, 35° |
| Max. travel speeds | |
| Lo / Mi / Hi | 3,0 / 4,1 / 5,5 km/h |
| Maximum drawbar pull | 20.570 kg |
| Brake system | Hydraulically operated discs in each travel motor |

UNDERCARRIAGE

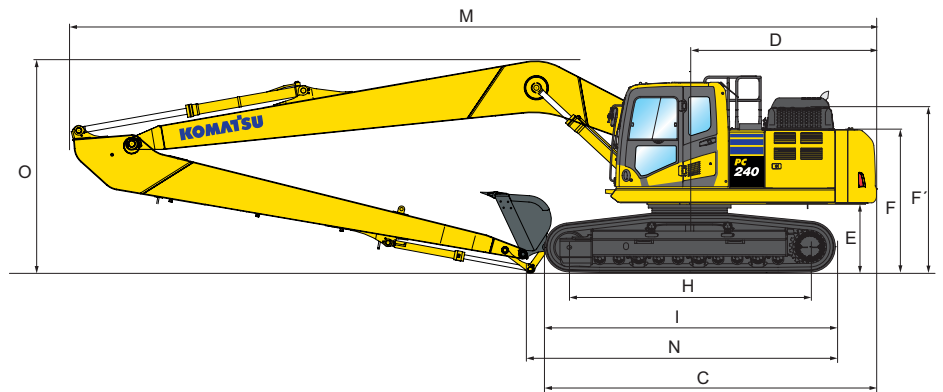
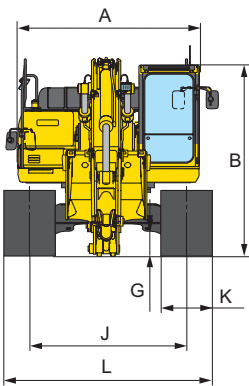
| | |
|-----------------------------|--|
| Construction | X-frame centre section with box section track frames |
| Track assembly | |
| Type | Fully sealed |
| Shoes (each side) | 51 (PC240LC), 49 (PC240NLC) |
| Tension | Combined spring and hydraulic unit |
| Rollers | |
| Track rollers (each side) | 10 (PC240LC), 9 (PC240NLC) |
| Carrier rollers (each side) | 2 |

ENVIRONMENT

| | |
|---|---|
| Engine emissions | Fully complies with EU Stage V exhaust emission regulations |
| Noise levels | |
| LwA external | 103 dB(A) (2000/14/EC Stage II) |
| LpA operator ear | 70 dB(A) (ISO 6396 dynamic test) |
| Vibration levels (EN 12096:1997) | |
| Hand/arm | ≤ 2,5 m/s ² (uncertainty K = 0,53 m/s ²) |
| Body | ≤ 0,5 m/s ² (uncertainty K = 0,28 m/s ²) |
| Contains fluorinated greenhouse gas HFC-134a (GWP 1430). Quantity of gas 0,9 kg, CO ₂ equivalent 1,29 t | |

Dimensions PC240LC/NLC-11

| MACHINE DIMENSIONS | PC240LC-11 | PC240NLC-11 |
|--|-----------------------|------------------|
| A Overall width of upper structure | 2.705 mm | 2.705 mm |
| B Overall height of cab | 3.055 mm | 3.055 mm |
| C Overall length of basic machine | 5.305 mm | 5.210 mm |
| D Tail length | 2.985 mm | 2.985 mm |
| Tail swing radius | 3.020 mm | 3.020 mm |
| E Clearance under counterweight | 1.100 mm | 1.100 mm |
| F Machine tail height | 2.265 mm | 2.265 mm |
| F' Machine tail height (top of engine cover) | 2.780 mm | 2.780 mm |
| G Ground clearance | 440 mm | 440 mm |
| H Tumbler centre distance | 3.845 mm | 3.655 mm |
| I Track length | 4.640 mm | 4.450 mm |
| J Track gauge | 2.580 mm | 2.380 mm |
| K Track shoe width | 600, 700, 800, 900 mm | 600, 700, 800 mm |
| L Overall track width with 600 mm shoes | 3.180 mm | 2.980 mm |
| Overall track width with 700 mm shoes | 3.280 mm | 3.080 mm |
| Overall track width with 800 mm shoes | 3.380 mm | 3.180 mm |
| Overall track width with 900 mm shoes | 3.480 mm | – |



| TRANSPORT DIMENSIONS | PC240LC/NLC-11 |
|---------------------------------------|------------------|
| Arm length | 9.325 mm |
| Boom length | 10.530 mm |
| M Transport length | 14.480 mm |
| N Length on ground (transport) LC/NLC | 4.520 / 4.425 mm |
| O Overall height (to top of boom) | 3.330 mm |

SUPER LONG FRONT/LONG REACH

Lifting Capacity PC240LC/NLC-11

PC240LC-11 SUPER LONG FRONT SPECIFICATION

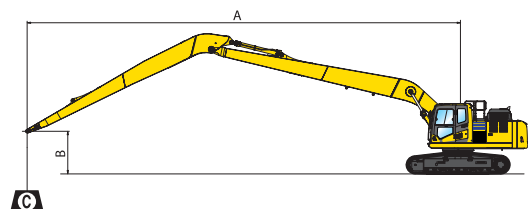
With 700 mm shoes

| B | A | 17,0 m | | 15,0 m | | 13,0 m | | 11,0 m | | 9,0 m | | 8,0 m | | 7,0 m | | 6,0 m | | | |
|---------|----|--------|--------|--------|-------|--------|--------|--------|--------|--------|--------|--------|--------|--------|--------|--------|--------|--------|--------|
| | ⊗ | ⊗ | ⊗ | ⊗ | ⊗ | ⊗ | ⊗ | ⊗ | ⊗ | ⊗ | ⊗ | ⊗ | ⊗ | ⊗ | ⊗ | ⊗ | ⊗ | | |
| 14,0 m | kg | *1.200 | *1.200 | | | | | | | | | | | | | | | | |
| 10,0 m | kg | *1.100 | *1.100 | | | *1.400 | *1.400 | *1.700 | *1.700 | | | | | | | | | | |
| 6,0 m | kg | *1.100 | 1.000 | | | *1.950 | 1.700 | *2.000 | *2.000 | *2.050 | *2.050 | | | | | | | | |
| 3,0 m | kg | *1.200 | 800 | *1.650 | 1.100 | *2.200 | 1.500 | *2.400 | 2.050 | *2.700 | *2.700 | *3.150 | *3.150 | *3.450 | *3.450 | *3.900 | *3.900 | *4.550 | *4.550 |
| 0,0 m | kg | *1.350 | 750 | 1.800 | 1.000 | 2.250 | 1.350 | *2.850 | 1.750 | *3.350 | 2.350 | *4.200 | 3.250 | *4.800 | 3.850 | *5.700 | 4.600 | *6.950 | 5.650 |
| -3,0 m | kg | 1.500 | 750 | | | 2.100 | 1.200 | 2.650 | 1.550 | 3.400 | 2.050 | 4.550 | 2.750 | 5.400 | 3.250 | 6.550 | 3.900 | *7.750 | 4.800 |
| -6,0 m | kg | 1.650 | 850 | | | 2.050 | 1.150 | 2.550 | 1.450 | 3.250 | 1.900 | 4.350 | 2.550 | 5.200 | 3.050 | 6.300 | 3.700 | 8.050 | 4.650 |
| -9,0 m | kg | 2.100 | 1.100 | | | | | 2.600 | 1.500 | 3.300 | 1.900 | 4.400 | 2.600 | 5.250 | 3.100 | 6.450 | 3.800 | *8.050 | 4.800 |
| -13,0 m | kg | *3.750 | 2.500 | | | | | | | | | | | *4.450 | 3.600 | *5.150 | 4.400 | *5.950 | 5.550 |

PC240NLC-11 SUPER LONG FRONT SPECIFICATION

With 700 mm shoes

| B | A | 17,0 m | | 15,0 m | | 13,0 m | | 11,0 m | | 9,0 m | | 8,0 m | | 7,0 m | | 6,0 m | | | |
|---------|----|--------|--------|--------|-----|--------|--------|--------|--------|--------|--------|--------|--------|--------|--------|--------|--------|--------|--------|
| | ⊗ | ⊗ | ⊗ | ⊗ | ⊗ | ⊗ | ⊗ | ⊗ | ⊗ | ⊗ | ⊗ | ⊗ | ⊗ | ⊗ | ⊗ | ⊗ | ⊗ | | |
| 14,0 m | kg | *1.200 | *1.200 | | | | | | | | | | | | | | | | |
| 10,0 m | kg | *1.100 | *1.100 | | | *1.400 | *1.400 | *1.700 | *1.700 | | | | | | | | | | |
| 6,0 m | kg | *1.100 | 1.000 | | | *1.950 | 1.450 | *2.000 | *2.000 | *2.050 | *2.050 | | | | | | | | |
| 3,0 m | kg | *1.200 | 800 | 1.650 | 900 | 2.150 | 1.300 | *2.400 | *1.750 | *2.700 | 2.450 | *3.150 | *3.150 | *3.450 | *3.450 | *3.900 | *3.900 | *4.550 | *4.550 |
| 0,0 m | kg | *1.350 | 750 | 1.550 | 800 | 2.000 | 1.100 | 2.550 | 1.500 | 3.350 | 2.000 | *4.200 | 2.800 | *4.800 | 3.300 | *5.700 | 4.000 | *6.950 | 4.900 |
| -3,0 m | kg | 1.500 | 750 | | | 1.850 | 950 | 2.300 | 1.250 | 3.000 | 1.700 | *4.000 | 2.300 | 4.750 | 2.750 | 5.750 | 3.250 | 7.200 | 4.050 |
| -6,0 m | kg | 1.650 | 850 | | | 1.750 | 900 | 2.200 | 1.150 | 2.850 | 1.550 | 3.800 | 2.100 | 4.550 | 2.500 | 5.550 | 3.100 | 7.000 | 3.850 |
| -9,0 m | kg | 2.100 | 1.100 | | | | | 2.250 | 1.200 | 2.850 | 1.550 | 3.850 | 2.150 | 4.600 | 2.600 | 5.650 | 3.200 | 7.200 | 4.050 |
| -13,0 m | kg | *3.750 | 2.500 | | | | | | | | | | | *4.450 | 3.100 | *5.150 | 3.750 | *5.950 | 4.750 |



A – Reach from swing center

B – Bucket hook height

C – Lifting capacities

Weights:

Bucket linkage and bucket cylinder: 195 kg

⊗ – Rating over front

⊗ – Rating over side

⊗ – Rating at maximum reach

* Load is limited by hydraulic capacity rather than tipping. Ratings are based on ISO 10567:2007.

Rated loads do not exceed 87% of hydraulic lift capacity or 75% of tipping load.

Lifting capacity stated is based on lifting with bare arm. When lifting with additional equipment installed to the arm, please subtract the weight of all additional equipment from the values stated. Lifting capacity table is published for guidance only, the machine is not intended for use as a crane.

BUCKET CAPACITY TABLE

PC240LC-11

PC240NLC-11

General purpose bucket

| Max. bucket width | 955 mm | | 955 mm | |
|---|---------------------|--------|---------------------|--------|
| Max bucket volume | | | | |
| Material density up to 1,2 t/m ³ | 0,51 m ³ | 450 kg | 0,38 m ³ | 390 kg |
| Material density up to 1,5 t/m ³ | 0,44 m ³ | 415 kg | 0,31 m ³ | 355 kg |
| Material density up to 1,8 t/m ³ | 0,38 m ³ | 390 kg | 0,27 m ³ | 340 kg |

Ditch cleaning bucket

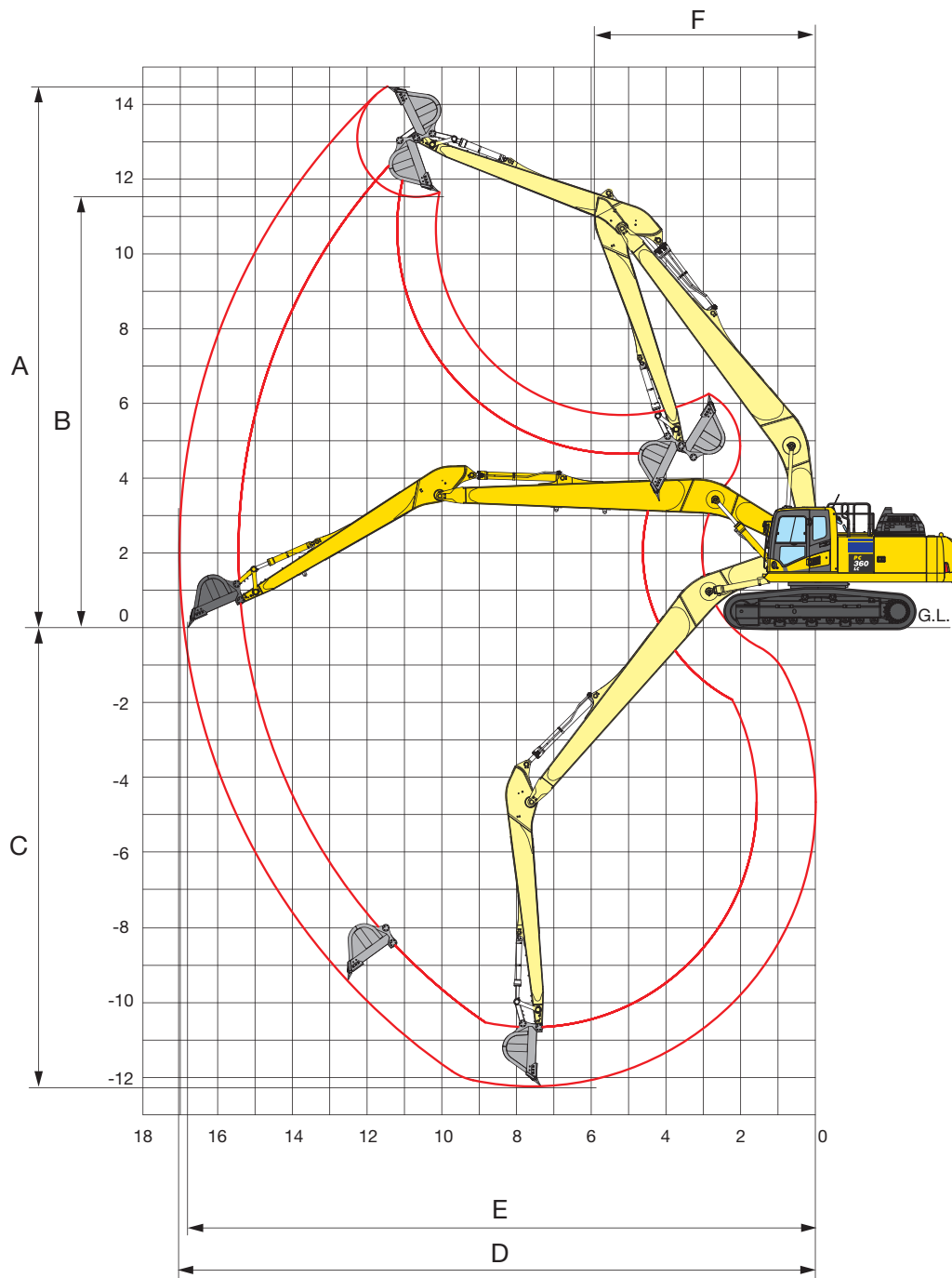
| Max. bucket width | 2.100 mm | | 2.100 mm | |
|-----------------------------|----------|--|----------|--|
| Maximum load at end of arm* | 1.300 kg | | 1.000 kg | |

* Maximum load at end of arm (bucket + payload). Max. capacity and weight have been calculated according to ISO 10567:2007.

Please consult with your distributor for the correct selection of buckets and attachments to suit the application.

Working Range PC360LC-11

17 M LONG REACH SPECIFICATION



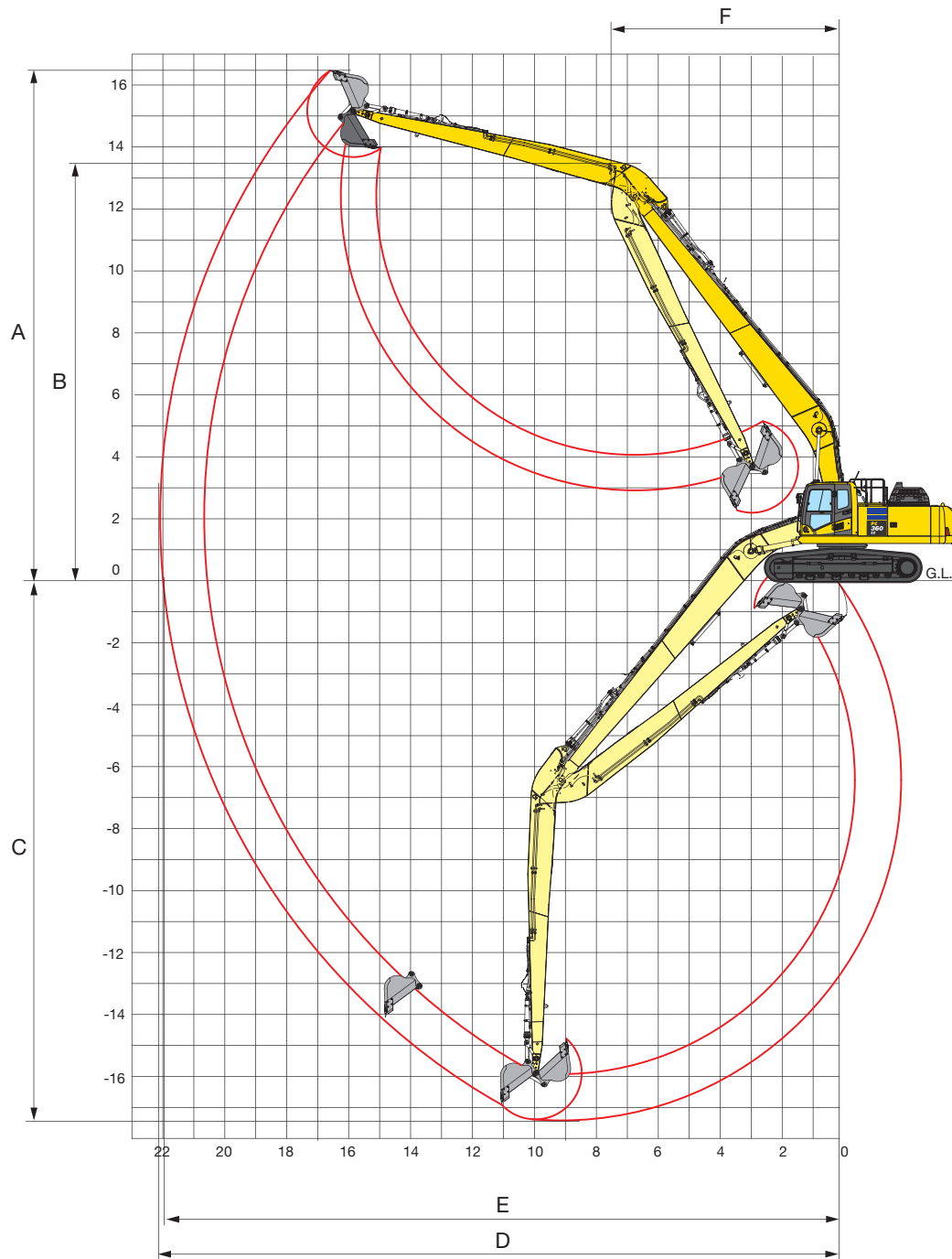
17 M LONG REACH SPECIFICATION

PC360LC-11

| | | |
|---|------------------------------------|-----------|
| A | Max. digging height | 14.595 mm |
| B | Max. dumping height | 11.480 mm |
| C | Max. digging depth | 12.300 mm |
| D | Max. digging reach | 17.000 mm |
| E | Max. digging reach at ground level | 16.880 mm |
| F | Min. swing radius | 5.970 mm |

Working Range PC360LC-11

22 M SUPER LONG FRONT SPECIFICATION



22 M SUPER LONG FRONT SPECIFICATION

PC360LC-11

| | | |
|---|------------------------------------|-----------|
| A | Max. digging height | 16.260 mm |
| B | Max. dumping height | 13.480 mm |
| C | Max. digging depth | 17.485 mm |
| D | Max. digging reach | 22.010 mm |
| E | Max. digging reach at ground level | 21.915 mm |
| F | Min. swing radius | 7.350 mm |

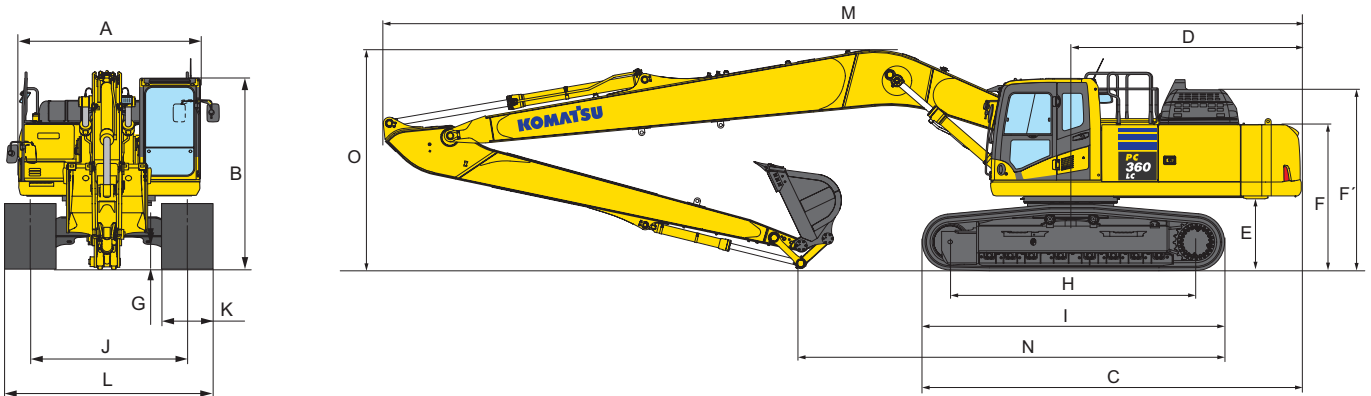
Dimensions PC360LC-11

MACHINE DIMENSIONS

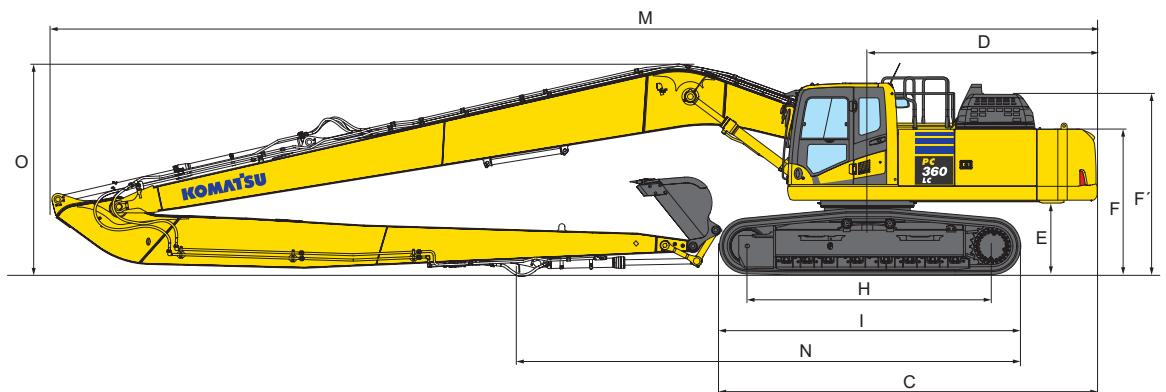
PC360LC-11

| | | |
|----|---|-----------------------|
| A | Overall width of upper structure | 2.995 mm |
| B | Overall height of cab | 3.160 mm |
| C | Overall length of basic machine | 6.200 mm |
| D | Tail length | 3.770 mm |
| | Tail swing radius | 3.820 mm |
| E | Clearance under counterweight | 1.185 mm |
| F | Machine tail height | 2.350 mm |
| F' | Machine tail height (top of engine cover) | 2.920 mm |
| G | Ground clearance | 500 mm |
| H | Tumbler centre distance | 4.030 mm |
| I | Track length | 4.955 mm |
| J | Track gauge | 2.590 mm |
| K | Track shoe width | 600, 700, 800, 850 mm |
| L | Overall track width with 600 mm shoes | 3.190 mm |
| | Overall track width with 700 mm shoes | 3.290 mm |
| | Overall track width with 800 mm shoes | 3.390 mm |
| | Overall track width with 850 mm shoes | 3.440 mm |

17 M LONG REACH SPECIFICATION



22 M SUPER LONG FRONT SPECIFICATION



TRANSPORT DIMENSIONS

17 M LONG REACH SPECIFICATION

22 M SUPER LONG FRONT SPECIFICATION

| | | | |
|---|---------------------------------|-----------|-----------|
| | Arm length | 7.230 mm | 10.700 mm |
| | Boom length | 10.210 mm | 12.400 mm |
| M | Transport length | 15.050 mm | 17.210 mm |
| N | Length on ground (transport) | 6.920 mm | 11.800 mm |
| O | Overall height (to top of boom) | 3.710 mm | 3.470 mm |

Specifications PC360LC-11

ENGINE

| | |
|-----------------------------|---|
| Model | Komatsu SAA6D114E-6 |
| Type | Common rail direct injection, water-cooled, emissionised, turbocharged, after-cooled diesel |
| Engine power | |
| at rated engine speed | 1.950 rpm |
| ISO 14396 | 202 kW/271 HP |
| ISO 9249 (net engine power) | 192 kW/257 HP |
| No. of cylinders | 6 |
| Bore × stroke | 114 × 144,5 mm |
| Displacement | 8,85 l |
| Air filter type | Double element type with monitor panel dust indicator and auto dust evacuator |
| Cooling | Suction type cooling fan with radiator fly screen |
| Fuel | Diesel fuel, conforming to EN590 Class 2/Grade D. Paraffinic fuel capability (HVO, GTL, BTL), conforming to EN 15940:2016 |

HYDRAULIC SYSTEM

| | |
|-----------------------|---|
| Type | HydrauMind. Closed-centre system with load sensing and pressure compensation valves |
| Additional circuits | 1 additional circuit for tilting buckets is fitted as standard |
| Main pump | 2 variable displacement piston pumps supplying boom, arm, bucket, swing and travel circuits |
| Maximum pump flow | 2 × 267,5 l/min |
| Relief valve settings | |
| Implement | 380 kg/cm ² |
| Travel | 380 kg/cm ² |
| Swing | 285 kg/cm ² |
| Pilot circuit | 33 kg/cm ² |

SERVICE REFILL CAPACITIES

| | |
|-------------------------|--------|
| Fuel tank | 605 l |
| Radiator | 37,0 l |
| Engine oil | 38,5 l |
| Swing drive | 14,0 l |
| Hydraulic tank | 188 l |
| Final drive (each side) | 9,0 l |
| AdBlue® tank | 39,0 l |

OPERATING WEIGHT (APPR.)

| | LONG REACH SPECIFICATION | | SUPER LONG FRONT SPECIFICATION | |
|----------------------|--------------------------|-------------------------|--------------------------------|-------------------------|
| | Operating weight | Ground pressure | Operating weight | Ground pressure |
| Triple grouser shoes | | | | |
| 600 mm | 42.200 kg | 0,80 kg/cm ² | 41.370 kg | 0,78 kg/cm ² |
| 700 mm | 42.580 kg | 0,69 kg/cm ² | 41.750 kg | 0,68 kg/cm ² |
| 800 mm | 42.960 kg | 0,61 kg/cm ² | 42.130 kg | 0,60 kg/cm ² |
| 850 mm | 43.150 kg | 0,57 kg/cm ² | 42.320 kg | 0,56 kg/cm ² |

17 m Long Reach Specification: Operating weight, including specified work equipment, 871 kg bucket, operator, lubricant, coolant, full fuel tank and the standard equipment.

22 m Super Long Front Specification: Operating weight, including specified work equipment, 475 kg bucket, operator, lubricant, coolant, full fuel tank and the standard equipment.

SWING SYSTEM

| | |
|--------------|---|
| Type | Axial piston motor driving through planetary double reduction gearbox |
| Swing lock | Electrically actuated wet multidisc brake integrated into swing motor |
| Swing speed | 0 - 8,0 rpm |
| Swing torque | 103 kNm |

DRIVES AND BRAKES

| | |
|----------------------|--|
| Steering control | 2 levers with pedals giving full independent control of each track |
| Drive method | Hydrostatic |
| Travel operation | Automatic 3-speed selection |
| Gradeability | 70%, 35° |
| Max. travel speeds | |
| Lo / Mi / Hi | 3,2 / 4,5 / 5,5 km/h |
| Maximum drawbar pull | 29.570 kg |
| Brake system | Hydraulically operated discs in each travel motor |

UNDERCARRIAGE

| | |
|-----------------------------|--|
| Construction | X-frame centre section with box section track frames |
| Track assembly | |
| Type | Fully sealed |
| Shoes (each side) | 48 |
| Tension | Combined spring and hydraulic unit |
| Rollers | |
| Track rollers (each side) | 8 |
| Carrier rollers (each side) | 2 |

ENVIRONMENT

| | |
|---|---|
| Engine emissions | Fully complies with EU Stage V exhaust emission regulations |
| Noise levels | |
| LwA external | 104 dB(A) (2000/14/EC Stage II) |
| LpA operator ear | 71 dB(A) (ISO 6396 dynamic test) |
| Vibration levels (EN 12096:1997) | |
| Hand/arm | ≤ 2,5 m/s ² (uncertainty K = 0,37 m/s ²) |
| Body | ≤ 0,5 m/s ² (uncertainty K = 0,17 m/s ²) |
| Contains fluorinated greenhouse gas HFC-134a (GWP 1430). Quantity of gas 0,8 kg, CO ₂ equivalent 1,14 t | |

Lifting Capacity PC360LC-11

17 M LONG REACH SPECIFICATION

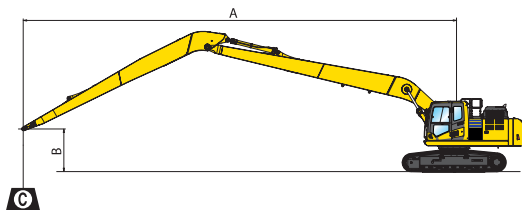
With 700 mm shoes

| A | ⊗ | | 15,0 m | | 13,5 m | | 12,0 m | | 10,5 m | | 9,0 m | | 7,5 m | | 6,0 m | | 4,5 m | |
|------------|--------|--------|--------|-------|--------|--------|--------|--------|--------|--------|--------|--------|--------|--------|---------|---------|---------|---------|
| | ⊗ | ⊗ | ⊗ | ⊗ | ⊗ | ⊗ | ⊗ | ⊗ | ⊗ | ⊗ | ⊗ | ⊗ | ⊗ | ⊗ | ⊗ | ⊗ | ⊗ | |
| B | ⊗ | ⊗ | ⊗ | ⊗ | ⊗ | ⊗ | ⊗ | ⊗ | ⊗ | ⊗ | ⊗ | ⊗ | ⊗ | ⊗ | ⊗ | ⊗ | ⊗ | ⊗ |
| 12,0 m kg | *2.850 | *2.850 | | | | | | | | | | | | | | | | |
| 9,0 m kg | *2.700 | *2.700 | | | *3.400 | *3.400 | *4.100 | *4.100 | | | | | | | | | | |
| 6,0 m kg | *2.700 | *2.700 | | | *4.050 | *4.050 | *4.320 | *4.350 | *4.750 | *4.800 | *5.300 | *5.100 | | | | | | |
| 3,0 m kg | *2.850 | *2.850 | *3.900 | 3.550 | *4.250 | 4.200 | *4.700 | *4.700 | *5.350 | *5.350 | *6.300 | *6.000 | *7.500 | *7.450 | *9.700 | *9.700 | | |
| 0,0 m kg | *3.200 | 3.150 | *3.900 | 3.350 | *4.400 | 3.950 | *5.000 | 4.650 | *5.750 | 5.550 | *6.750 | 6.600 | *8.650 | *8.600 | *10.250 | *10.200 | *4.250 | *4.250 |
| -3,0 m kg | *3.750 | *3.300 | | | *4.250 | 3.650 | *4.950 | 4.300 | *5.800 | 5.100 | *6.850 | 6.200 | *8.750 | 8.250 | *10.950 | *10.900 | *7.600 | *7.600 |
| -6,0 m kg | *3.750 | *3.750 | | | | | *4.450 | 4.300 | *5.300 | 5.050 | *6.300 | 6.200 | *7.850 | *7.850 | *9.550 | *9.550 | *11.800 | *11.750 |
| -9,0 m kg | *3.400 | *3.400 | | | | | | | 3.600 | *3.600 | *4.600 | *4.600 | *5.800 | *5.800 | *6.850 | *6.850 | *8.050 | *8.000 |
| -10,5 m kg | *2.800 | *2.800 | | | | | | | | | | | *3.900 | *3.900 | | | | |

22 M SUPER LONG FRONT SPECIFICATION

With 700 mm shoes

| A | ⊗ | | 20,0 m | | 18,0 m | | 16,0 m | | 14,0 m | | 12,0 m | | 10,0 m | | 8,0 m | | 6,0 m | |
|------------|--------|--------|--------|--------|--------|--------|--------|--------|--------|--------|--------|--------|--------|--------|--------|--------|--------|--------|
| | ⊗ | ⊗ | ⊗ | ⊗ | ⊗ | ⊗ | ⊗ | ⊗ | ⊗ | ⊗ | ⊗ | ⊗ | ⊗ | ⊗ | ⊗ | ⊗ | ⊗ | |
| B | ⊗ | ⊗ | ⊗ | ⊗ | ⊗ | ⊗ | ⊗ | ⊗ | ⊗ | ⊗ | ⊗ | ⊗ | ⊗ | ⊗ | ⊗ | ⊗ | ⊗ | ⊗ |
| 13,5 m kg | *1.300 | *1.300 | | | | | | | | | | | | | | | | |
| 10,5 m kg | *1.250 | *1.250 | | | *1.900 | *1.900 | *2.000 | *2.000 | | | | | | | | | | |
| 9,0 m kg | *1.250 | *1.250 | | | *1.950 | *1.950 | *2.050 | *2.050 | | | | | | | | | | |
| 6,0 m kg | *1.250 | *1.250 | *1.800 | *1.800 | *2.000 | *2.000 | *2.200 | *2.200 | *2.450 | *2.450 | | | | | | | | |
| 3,0 m kg | *1.300 | *1.300 | *1.950 | 1.800 | *2.150 | *2.150 | *2.400 | *2.400 | *2.700 | *2.700 | *3.200 | *3.200 | *3.850 | *3.850 | *4.950 | *4.950 | | |
| 0,0 m kg | *1.450 | *1.450 | *2.000 | 1.650 | *2.250 | 2.050 | *2.550 | *2.550 | *3.000 | *3.000 | *3.550 | *3.550 | *4.450 | *4.450 | *5.850 | *5.850 | *7.050 | *7.050 |
| -3,0 m kg | *1.650 | 1.550 | *1.950 | 1.600 | *2.300 | 1.900 | *2.700 | 2.350 | *3.150 | 2.900 | *3.850 | 3.650 | *4.800 | 4.650 | *6.350 | 6.150 | *6.250 | *6.250 |
| -6,0 m kg | *1.950 | 1.650 | | | *2.250 | 1.850 | *2.700 | 2.200 | *3.200 | 2.700 | *3.900 | 3.350 | *4.900 | 4.300 | *6.350 | 5.850 | *7.550 | *7.550 |
| -9,0 m kg | *2.000 | 1.950 | | | | | *2.450 | 2.200 | *3.050 | 2.650 | *3.700 | 3.300 | *4.600 | 4.250 | *5.850 | 5.850 | *7.750 | *7.750 |
| -10,5 m kg | *1.950 | *1.950 | | | | | *2.200 | *2.200 | *2.800 | 2.700 | *3.450 | 3.350 | *4.300 | 4.300 | *5.450 | *5.450 | *7.100 | *7.100 |
| -13,5 m kg | *1.800 | *1.800 | | | | | | | | | *2.500 | *2.500 | *3.200 | *3.200 | *4.000 | *4.550 | *5.050 | *5.050 |
| -15,0 m kg | *1.500 | *1.500 | | | | | | | | | | | *2.250 | *2.250 | *2.900 | *3.400 | *3.550 | *3.550 |



- A – Reach from swing center
- B – Bucket hook height
- C – Lifting capacities
- ⊗ – Rating over front
- ⊗ – Rating over side
- ⊗ – Rating at maximum reach

Weights:
Bucket linkage and bucket cylinder: 370 kg

* Load is limited by hydraulic capacity rather than tipping. Ratings are based on ISO 10567:2007.

Rated loads do not exceed 87% of hydraulic lift capacity or 75% of tipping load.

Lifting capacity stated is based on lifting with bare arm. When lifting with additional equipment installed to the arm, please subtract the weight of all additional equipment from the values stated. Lifting capacity table is published for guidance only, the machine is not intended for use as a crane.

SUPER LONG FRONT/LONG REACH

Bucket Capacity PC360LC-11

BUCKET CAPACITY TABLE

PC360LC-11

| Equipment | 17 m Long Reach | | 22 m Super Long Front | |
|---|---------------------|--------|-----------------------|--------|
| General purpose bucket | | | | |
| Max. bucket width | 1.200 mm | | 955 mm | |
| Max bucket volume | | | | |
| Material density up to 1,2 t/m ³ | 1,11 m ³ | 890 kg | 0,63 m ³ | 650 kg |
| Material density up to 1,5 t/m ³ | 1,01 m ³ | 830 kg | 0,53 m ³ | 610 kg |
| Material density up to 1,8 t/m ³ | 0,93 m ³ | 780 kg | 0,47 m ³ | 575 kg |
| Ditch cleaning bucket | | | | |
| Max. bucket width | 2.100 mm | | 2.100 mm | |
| Maximum load at end of arm* | 2.455 kg | | 1.300 kg | |

* Maximum load at end of arm (bucket + payload). Max. capacity and weight have been calculated according to ISO 10567:2007. Please consult with your distributor for the correct selection of buckets and attachments to suit the application.

Standard and Optional Equipment

ENGINE

| | |
|---|---|
| Komatsu turbocharged common rail direct injection diesel engine | ● |
| EU Stage IV compliant (PC138US-11) | |
| EU Stage V compliant (PC210LC-11, PC240LC/NLC-11, PC360LC-11) | ● |
| Suction type cooling fan with radiator fly screen | ● |
| Automatic engine warm-up system | ● |
| Engine overheat prevention system | ● |
| Fuel control dial | ● |
| Auto-deceleration function | ● |
| Adjustable idle shutdown | ● |
| Engine key stop | ● |
| Engine ignition can be password secured on request | ● |

HYDRAULIC SYSTEM

| | |
|---|---|
| Electronic closed-centre load sensing (E-CLSS) hydraulic system (HydrauMind) | ● |
| Pump and engine mutual control (PEMC) system | ● |
| 6-working mode selection system; power mode, economy mode, breaker mode, attachment power and attachment economy mode, and lifting mode | ● |
| PPC wrist control levers for arm, boom, bucket and swing, with sliding proportional control for attachments and 3 auxiliary buttons | ● |
| 1 additional hydraulic circuit, suitable for working with tilting bucket | ● |
| High flow additional hydraulic circuit and low flow additional hydraulic circuit (PC138US only) | ● |
| Prepared for hydraulic quick-coupler | ● |

DRIVES AND BRAKES

| | |
|---|---|
| Hydrostatic, 3-speed travel system with automatic shift and planetary gear type final drives, and hydraulic travel and parking brakes | ● |
| PPC control levers and pedals for steering and travel | ● |

UNDERCARRIAGE

| | |
|---|---|
| Track roller guards | ● |
| Track frame under-guards | ● |
| 500, 600, 700 mm triple grouser shoes (PC138US-11) | ○ |
| 600, 700, 800, 900 mm triple grouser shoes (PC210LC-11, PC240LC/NLC-11) | ○ |
| 700, 800, 850 mm triple grouser shoes (PC360LC-11) | ○ |
| Full length track roller guards | ○ |

CABIN

| | |
|--|---|
| Reinforced safety SpaceCab™; highly pressurised and tightly sealed hyper viscous mounted cab with tinted safety glass windows, large roof window with sun shade, pull-up type front window with locking device, removable lower window, front window wiper with intermittent feature, sun roller blind, cigarette lighter, ashtray, luggage shelf, floor mat | ● |
| Heated, high-back air-suspended seat with lumbar support, console mounted height adjustable arm rests, and retractable seat belt | ● |
| Automatic climate control system | ● |
| 12/24 Volt power supplies | ● |
| Beverage holder and magazine rack | ● |
| Hot and cool box | ● |
| Radio (AM/FM) | ● |
| Auxiliary input (MP3 jack) | ● |
| Lower wiper | ○ |
| Rain visor (not with OPG) | ○ |
| DAB+ digital radio w. auxiliary input (MP3 jack) | ○ |

SERVICE AND MAINTENANCE

| | |
|--|---|
| Automatic fuel line de-aeration | ● |
| Double element type air cleaner with dust indicator and auto dust evacuator | ● |
| KOMTRAX – Komatsu wireless monitoring system (3G) | ● |
| Komatsu CARE™ – a maintenance program for Komatsu customers | ● |
| Multifunction video compatible colour monitor with Equipment Management and Monitoring System (EMMS) and efficiency guidance | ● |
| Toolkit | ● |
| Automatic greasing system (PC360 LR only) | ● |
| Service points | ○ |

LIGHTING SYSTEM

| | |
|--|---|
| Working lights: 2 revolving frame, 1 boom (l.h.) | ● |
| Additional working lights: 4 cab roof (front), 1 cab roof (rear), 1 boom (r.h.), 1 counterweight (rear), beacon | ○ |
| LED working lights: 2 revolving frame (halogen), 2 boom (LED, l.h. & r.h.), 2 boom cylinders (LED), 4 cab roof (LED, front), 1 cab roof (halogen, rear), 2 counterweight (halogen, rear), 1 right side machine (halogen), beacon | ○ |

SAFETY EQUIPMENT

| | |
|--|---|
| KomVision surround view system | ● |
| Electric horn | ● |
| Overload warning device | ● |
| Audible travel alarm | ● |
| Boom safety valves | ● |
| Large handrails, rear-view mirrors | ● |
| Battery main switch | ● |
| ROPS compliant to ISO 12117-2:2008 | ● |
| Emergency engine stop switch | ● |
| Seat belt caution indicator | ● |
| Neutral position detection system | ● |
| OPG Level II front guard (FOPS), hinged type | ○ |
| OPG Level II top guard (FOPS) | ○ |

OTHER EQUIPMENT

| | |
|---|---|
| Heavy counterweight | ● |
| Remote greasing for swing circle and pins | ● |
| Electric refuelling pump with automatic shut-off function | ● |
| Biodegradable oil for hydraulic system | ○ |
| Customised paint | ○ |

WORK EQUIPMENT

| | |
|---|---|
| Super Long Front boom and arm | ● |
| Long Reach boom and arm (PC360LC only) | ● |
| Sealed bucket linkage pins (PC360LC only) | ○ |
| Komatsu buckets | ○ |

Further equipment on request

- standard equipment
- optional equipment

Your Komatsu partner:

KOMATSU

Komatsu Europe International N.V.

Mechelsesteenweg 586
B-1800 VILVOORDE (BELGIUM)
Tel. +32-2-255 24 11
Fax +32-2-252 19 81
www.komatsu.eu

UENSS17905 02/2020

KOMATSU is a trademark of Komatsu Ltd. Japan.