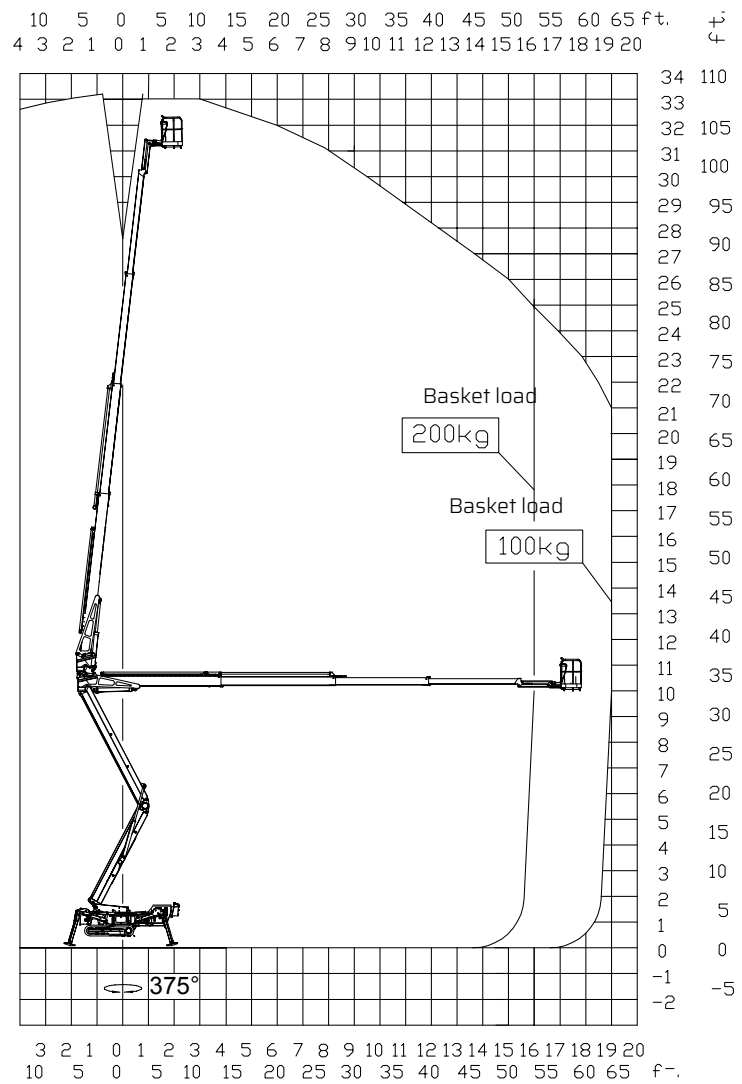
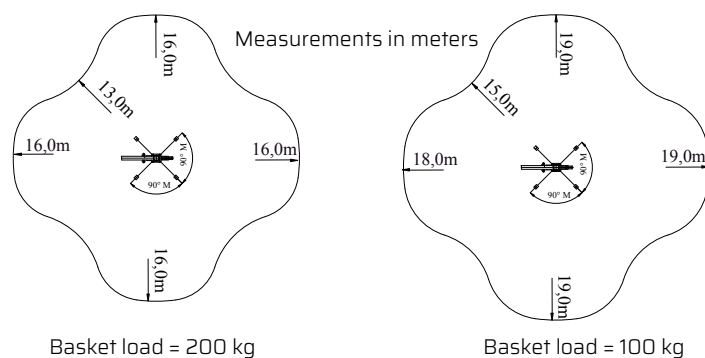


FALCON FS 330Z *Vario*

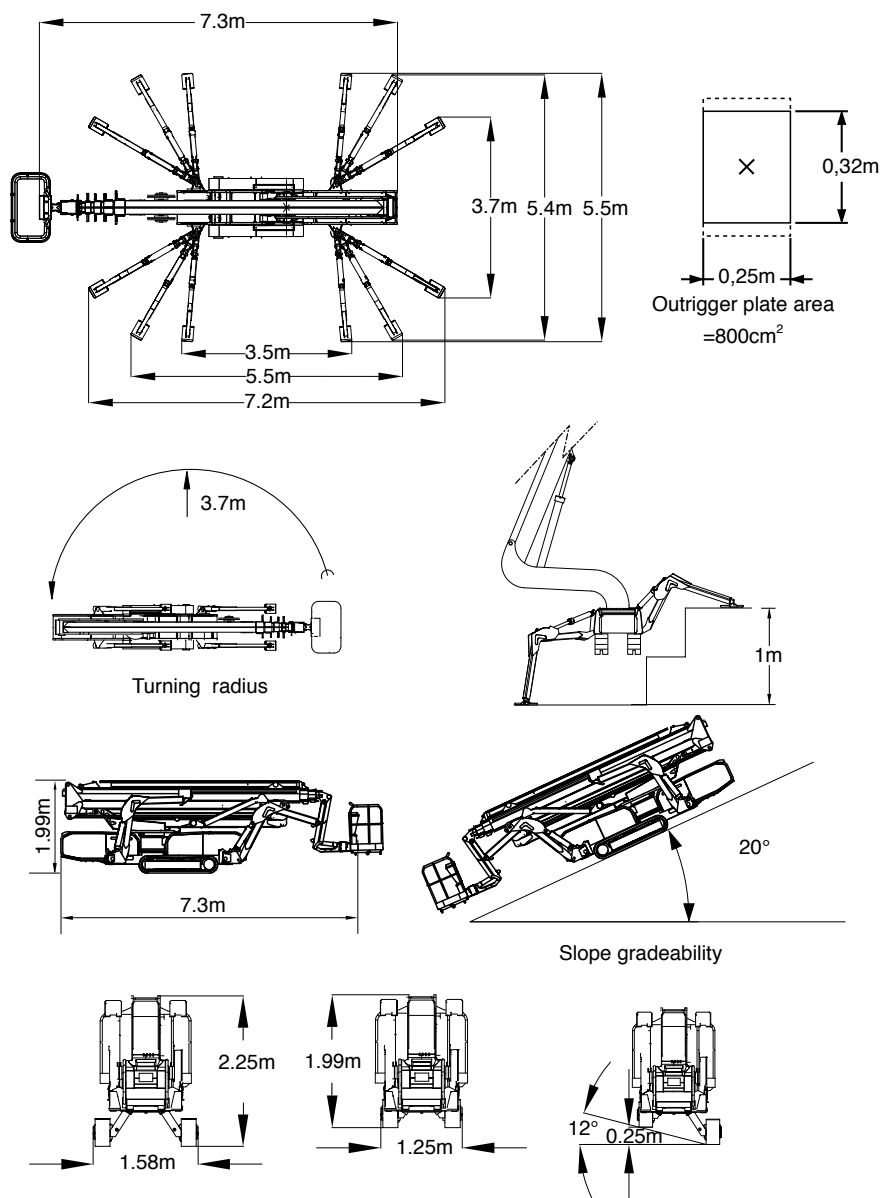
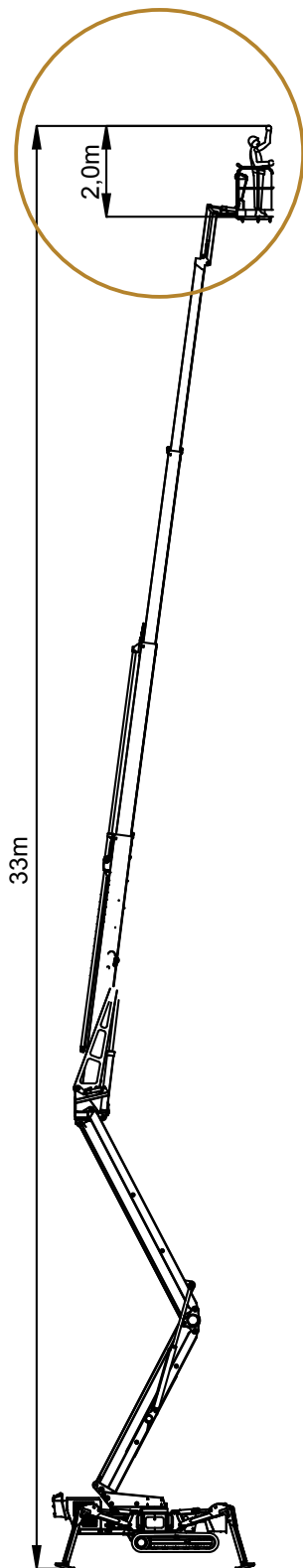
Reach diagram - Optimized position



Reach with different basket load



Outer measurements



Additional info:

Weight and ground pressure:

Weight with standard equipment	6450	kg.
Surface pressure under crawlers (soft surface)	0,85	kg/cm ²
Surface pressure under crawlers (hard surface)	3,10	kg/cm ²
Max. ground pressure under 1 outrigger plate	3,70	kg/cm ²