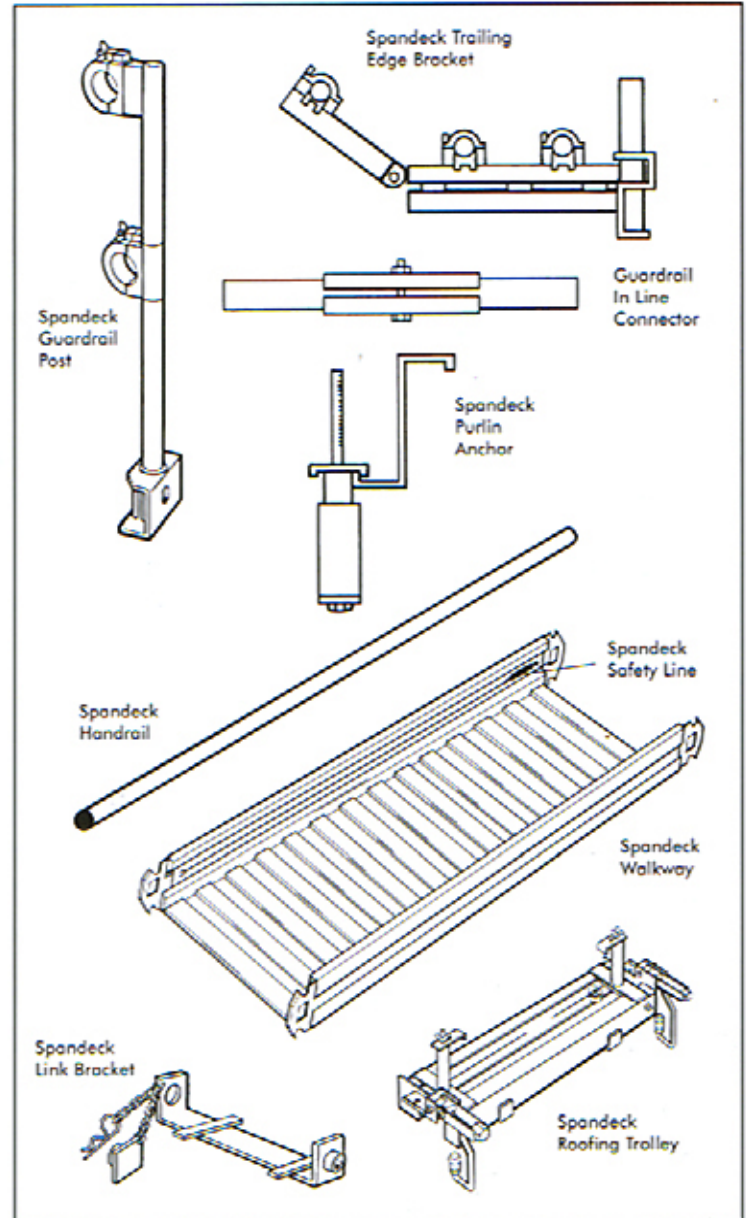


**S P E C I F I C A T I O N S**

Components	Part No.	Description	Weight kg
PLATFORMS	88012	3.7m(12') Deck Length	30
	88014	4.3m(14') Deck Length	34
	88016	5.0m(16') Deck Length	39
	88018	5.5m(18') Deck Length	43
	88020	6.1m(20') Deck Length	47
	88022	6.7m(22') Deck Length	51
	88024	7.3m(24') Deck Length	55
	88030	9.1m(30') Deck Length	79
	88230	9.1m(30') Two Section	92
GUARDRAIL POSTS	88065	1.0m High	3.7
	88095	0.9m High	3.6
HANDRAILS	85016	For 3.7m Spandek	4.1
		For 4.3m Spandek	4.8
		For 5.0m Spandek	5.5
		For 5.5m Spandek	6.1
		For 6.1m Spandek	6.8
		For 6.7m Spandek	7.7
		For 7.3m Spandek	8.5
TOEBOARDS	88084	Side, 1.2m x 0.15m High	1.8
	88086	Side, 1.8m x 0.15m High	2.9
	88184	End, 1.2m Long	2.5
	88186	End, 1.8m Long	3.5
ACCESSORIES	88220	Fish Plates with nut & bolts	4.4
	88110	Short Knee Brace	3.2
	88111	Long Knee Brace	3.9
	3939	Spandek Roofing Trolley	8.6
	LPO-81	Link Bracket	3.6
	LPO-82	Purlin Anchor	2.0
	SP811-45	Trailing Edge Bracket	7.0
	9067	Tube Connector	0.2
	603	Right Angled Coupler	0.9



**ACCESSORIES**

- Integral Horizontal Safety Line system (requires harness)
- Trailing Edge Protection
- Spandek Roofing Trolley
- Spantrack Continuous Safety Line (requires harness).

**STANDARD FEATURES**

- Quick and easy to install
- Lightweight and durable
- Non slip self draining surface
- Integral toeboards

MANUFACTURED BY  
**UpRight**

**SAFE WORKING LOADS**

Part no.	SWL
88012	900 KG DISTRIBUTED
88014	770 KG DISTRIBUTED
88016	675 KG DISTRIBUTED
88018	600 KG DISTRIBUTED
88020	540 KG DISTRIBUTED
88022	490 KG DISTRIBUTED
88024	450 KG DISTRIBUTED
88030	450 KG DISTRIBUTED
88230	400 KG DISTRIBUTED

The SWL listed above refer to the new generation of Spandek introduced in 1999. Please consult your local distributor for further information. Before using these SWL's, check that the support structure can safely carry these loads.

Specifications subject to change without notice. Photos and diagrams in this brochure are for promotional purposes only. Refer to appropriate UpRight Operator's manual for detailed instructions on the proper use and maintenance of this equipment. UpRight also manufacture a complete line of aluminum towers and aerial work platforms. Contact your UpRight distributor for information on other products.

**DLJ Engineering Services**  
**Unit 9 Haysbridge Farm**  
**Brickhouse Lane**  
**South Godstone**  
**Surrey**  
**RH9 8JW**  
**01342 844218 Fax: 01342 844588**  
**Email: Info@dljengineeringservices.co.uk**