

Features

EASILY CONFIGURED TO MEET YOUR NEEDS

PLATFORM OPTIONS

- Sliding mid-rail standard platform
- Gated standard platform
- Gated narrow platform
- Standard fibreglass platform

POWER OPTIONS

- AC power 85 V / 50-60 Hz
- AC power 110 V / 50-60 Hz
- AC power 220 V / 50-60 Hz
- DC 12V with 110 V / 230 V / 50-60 Hz with worldwide automatic “smart” charging system
- Air motor power 1.5 hp (1.1 kW) (AWP™-30 only)

BASE OPTIONS

- Standard base
- Rough terrain (RT, Narrow) base (AWP™-20, -25, 30 only)
- Narrow base (AWP™-20, -25, 30 only)



Standard Base

OPTIONS & ACCESSORIES

PRODUCTIVITY

- Gated standard platform
- Gated narrow platform
- Standard fibreglass platform
- Narrow base conversion kit (AWP™-20, -25, -30 RT only)
- Tilt-back frame (option on AWP™-20, -25, -30 only)
- Operational warning light and descent alarm package
- Tool tray
- Fluorescent tube caddy
- Platform locating laser light

POWER

- Air motor power 1.5 hp (1.1 kW) (AWP™-30 only)

STANDARD FEATURES

MEASUREMENTS

AWP™-20S

- 8.12 m (26 ft 1 in) working height
- 6.12 m (20 ft 1 in) platform height
- 74 cm (2 ft 5 in) standard base width
- 76 cm (2 ft 6 in) RT base width
- 56 cm (1 ft 10 in) narrow base width
- Up to 159 kg (350 lb) lift capacity

AWP™-25S

- 9.57 m (30 ft 10 in) working height
- 7.57 m (24 ft 10 in) platform height
- 74 cm (2 ft 5 in) standard base width
- 76 cm (2 ft 6 in) RT base width
- 56 cm (1 ft 10 in) narrow base width
- Up to 159 kg (350 lb) lift capacity

AWP™-30S

- 11 m (35 ft 6 in) working height
- 9 m (29 ft 6 in) platform height
- 74 cm (2 ft 5 in) standard base width
- 76 cm (2 ft 6 in) RT base width
- 56 cm (1 ft 10 in) narrow base width
- Up to 159 kg (350 lb) lift capacity

AWP™-36S

- 13.10 m (42 ft 5 in) working height
- 11.10 m (36 ft 5 in) platform height
- 74 cm (2 ft 5 in) standard base width
- 56 cm (1 ft 10 in) narrow base width
- Up to 159 kg (350 lb) lift capacity

AWP™-40S

- 14.28 m (46 ft 8.5 in) working height
- 12.28 m (40 ft 29 in) platform height
- 74 cm (2 ft 5 in) standard base width
- 56 cm (1 ft 10 in) narrow base width
- Up to 136 kg (300 lb) lift capacity

PRODUCTIVITY

- Auxiliary platform lowering
- Most rigid mast in the industry
- Rocker base system for manoeuvrability
- Tilt-back base frame (standard on AWP™-36, -40)
- Easily rolls through standard doorways
- AC power to platform
- Dual activated up/down switch
- Small outrigger footprints
- Outrigger storage pockets
- Easy loading in pickup trucks
- Tie down attachment points
- Overhead crane attachment point
- Wide forklift pockets
- Rear access forklift pocket
- LED lights confirm proper set-up

POWER

- AC power 85V / 50-60 Hz
- AC power 110V / 50-60 Hz
- AC power 220V / 50-60 Hz
- DC power 110V / 230V / 50-60 Hz with worldwide automatic “smart” charging system

Specifications

MODELS	AWP™-20S		AWP™-25S		AWP™-30S	
MEASUREMENTS	Metric	US	Metric	US	Metric	US
Working height*	8.12 m	26 ft 1 in	9.57 m	30 ft 10 in	11 m	35 ft 6 in
Platform height	6.12 m	20 ft 1 in	7.57 m	24 ft 10 in	9 m	29 ft 6 in
A Height - stowed (Standard)	1.98 m	6 ft 6 in	1.98 m	6 ft 6 in	1.98 m	6 ft 6 in
stowed (RT, Narrow)	2.01 m	6 ft 7 in	2.01 m	6 ft 7 in	2.01 m	6 ft 7 in
B tilted back** (Standard)	—	—	—	—	—	—
C Length - stowed (Standard)	1.24 m	4 ft 1 in	1.31 m	4 ft 3.5 in	1.35 m	4 ft 5 in
stowed (RT, Narrow)	1.60 m	5 ft 3 in	1.60 m	5 ft 3 in	1.60 m	5 ft 3 in
stowed (Narrow)	1.27 m	4 ft 2 in	1.27 m	4 ft 2 in	1.27 m	4 ft 2 in
D Length - tilted back**	—	—	—	—	—	—
E Width (Standard)	74 cm	2 ft 5 in	74 cm	2 ft 5 in	74 cm	2 ft 5 in
Width (RT, Narrow)	76 cm	2 ft 6 in	76 cm	2 ft 6 in	76 cm	2 ft 6 in
Width (Narrow)	56 cm	1 ft 10 in	56 cm	1 ft 10 in	56 cm	1 ft 10 in

PRODUCTIVITY						
Lift capacity	159 kg	350 lbs	159 kg	350 lbs	159 kg	350 lbs
Indoor:						
F G Outrigger footprint (l/w) (Standard)	1.55 m/1.35 m	5 ft 1 in/4 ft 5 in	1.75 m/1.55 m	5 ft 9 in/5 ft 1 in	1.93 m/1.73 m	6 ft 4 in/5 ft 8 in
Outrigger footprint (l/w) (RT, Narrow)	1.80 m/1.47 m	5 ft 11 in/4 ft 10 in	1.80 m/1.47 m	5 ft 11 in/4 ft 10 in	2.11 m/1.88 m	6 ft 11 in/6 ft 2 in
H Corner access*** (Standard)	38 cm	1 ft 3 in	48 cm	1 ft 7 in	56 cm	1 ft 10 in
Corner access*** (RT, Narrow)	53 cm	1 ft 9 in	51 cm	1 ft 8 in	70 cm	2 ft 3.5 in
I J Wall access front/side (Standard)	15 cm/33 cm	6 in/1 ft 1 in	18 cm/43 cm	7 in/1 ft 5 in	20 cm/53 cm	8 in/1 ft 9 in
Wall access front/side (RT, Narrow)	30 cm/43 cm	1 ft/1 ft 5 in	25 cm/43 cm	10 in/1 ft 5 in	23 cm/51 cm	9 in/1 ft 8 in
Outdoor:						
F G Outrigger footprint (l/w) (Standard)	2.46 m/2.26 m	8 ft 1 in/7 ft 5 in	2.97 m/2.79 m	9 ft 9 in/9 ft 2 in	2.97 m/2.79 m	9 ft 9 in/9 ft 2 in
Outrigger footprint (l/w) (RT, Narrow)	2.84 m/2.84 m	9 ft 4 in/9 ft 4 in	2.84 m/2.84 m	9 ft 4 in/9 ft 4 in	3.30 m/3.45 m	10 ft 10 in/11 ft 4 in
H Corner access*** (Standard)	48 cm	1 ft 7 in	76 cm	2 ft 6 in	69 cm	2 ft 3 in
Corner access*** (RT, Narrow)	1.37 m	4 ft 6 in	1.32 m	4 ft 4 in	1.55 m	5 ft 1 in
I J Wall access front/side (Standard)	48 cm /81 cm	1 ft 7 in/2 ft 8 in	74 cm/1.07 m	2 ft 5 in/3 ft 6 in	69 cm/1.07 m	2 ft 3 in/3 ft 6 in
Wall access front/side (RT, Narrow)	81 cm/1.12 m	2 ft 8 in/3 ft 8 in	74 cm/1.12 m	2 ft 5 in/3 ft 8 in	89 cm/1.40 m	2 ft 11 in/4 ft 7 in
Platform Dimensions: (l/w/h)						
Standard	69 cm/66 cm/1.14 m	27/26/44.75 in	69 cm/66 cm/1.14 m	27/26/44.75 in	69 cm/66 cm/1.14 m	27/26/44.75 in
Gated	69 cm/66 cm/1.14 m	27/26/44.75 in	69 cm/66 cm/1.14 m	27/26/44.75 in	69 cm/66 cm/1.14 m	27/26/44.75 in
Gated narrow	66 cm/51 cm/1.14 m	26/20/44.75 in	66 cm/51 cm/1.14 m	26/20/44.75 in	66 cm/51 cm/1.14 m	26/20/44.75 in
Standard fibreglass	74 cm/67 cm/1.10 m	29/26.5/43.5 in	74 cm/67 cm/1.10 m	29/26.5/43.5 in	74 cm/67 cm/1.10 m	29/26.5/43.5 in

POWER			
Power source - AC or DC models	12V DC / 110/50-60 Hz or 220/50-60 Hz AC	12V DC / 110/50-60 Hz or 220/50-60 Hz AC	12V DC / 110/50-60 Hz or 220/50-60 Hz AC

SOUND & VIBRATION LEVELS						
Sound pressure level (ground workstation)	<70 dBA	<70 dBA	<70 dBA	<70 dBA	<70 dBA	<70 dBA
Sound pressure level (platform workstation)	<70 dBA	<70 dBA	<70 dBA	<70 dBA	<70 dBA	<70 dBA
Vibration	<2.5 m/s ²	<8 ft 2 in/s ²	<2.5 m/s ²	<8 ft 2 in/s ²	<2.5 m/s ²	<8 ft 2 in/s ²

WEIGHT						
AC models (Standard)	307 kg	677 lbs	330 kg	727 lbs	352 kg	777 lbs
AC models (Narrow and RT)	299 kg	660 lbs	315 kg	694 lbs	331 kg	729 lbs
DC models (Standard)	347 kg	766 lbs	371 kg	817 lbs	393 kg	867 lbs
DC models (Narrow and RT)	340 kg	749 lbs	354 kg	780 lbs	371 kg	818 lbs
Air motor (Standard)	—	—	—	—	352 kg	777 lbs
Air motor (Narrow and RT)	—	—	—	—	331 kg	729 lbs

STANDARDS COMPLIANCE	CE EN280, PB-10-611-03
----------------------	------------------------

Specifications

MODELS	AWP™-36S		AWP™-40S	
	Metric	US	Metric	US
Working height*	13.10 m	42 ft 5 in	14.29 m	46 ft 4 in
Platform height	11.10 m	36 ft 5 in	12.29 m	40 ft 4 in
A Height - stowed (Standard) stowed (RT, Narrow)	2.78 m	9 ft 1.5 in	2.78 m	9 ft 1.5 in
B tilted back** (Standard)	1.92 m	6 ft 3.5 in	1.98 m	6 ft 6 in
C Length - stowed (Standard) stowed (RT, Narrow)	1.40 m	4 ft 7 in	1.42 m	4 ft 8 in
D Length - tilted back**	2.97 m	9 ft 9 in	2.97 m	9 ft 9 in
E Width (Standard) Width (RT, Narrow)	74 cm	2 ft 5 in	74 cm	2 ft 5 in

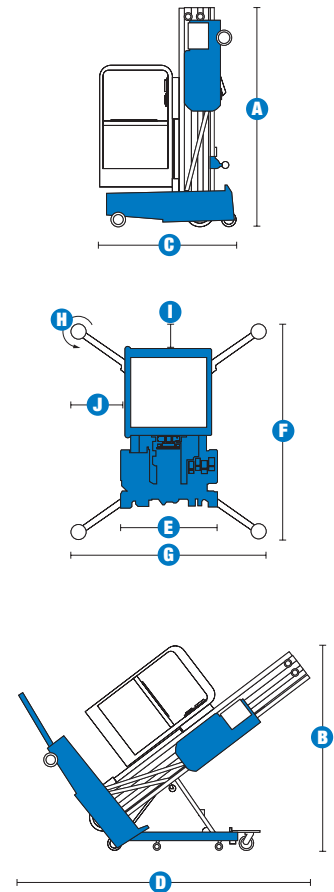
PRODUCTIVITY				
Lift capacity	159 kg	350 lbs	136 kg	300 lbs
Indoor:				
F G Outrigger footprint (l/w) (Standard) Outrigger footprint (l/w) (RT, Narrow)	2.12 m/1.91 m	6 ft 11 in/6 ft 3 in	2.26 m/2.06 m	7 ft 5 in /6 ft 9 in
H Corner access*** (Standard) Corner access*** (RT, Narrow)	74 cm	2 ft 5 in	79 cm	2 ft 7 in
I J Wall access front/side (Standard) Wall access front/side (RT, Narrow)	36 cm/64 cm	1 ft 2 in/2 ft 1 in	38 cm/71 cm	1 ft 3 in/2 ft 4 in
Outdoor:				
F G Outrigger footprint (l/w) (Standard) Outrigger footprint (l/w) (RT, Narrow)	3.53 m/3.33 m	11 ft 7 in/10 ft 11 in	3.89 m /3.68 m	12 ft 9 in/12 ft 1 in
H Corner access*** (Standard) Corner access*** (RT, Narrow)	1.02 m	3 ft 4 in	1.12 m	3 ft 8 in
I J Wall access front/side (Standard) Wall access front/side (RT, Narrow)	1.02 m/1.32 m	3 ft 4 in/4 ft 4 in	1.12 m/1.52 m	3 ft 8 in/5 ft
Platform Dimensions: (l/w/h)				
Standard	69 cm/66 cm/1.14 m	27/26/44.75 in	69 cm/66 cm/1.14 m	27/26/44.75 in
Gated	69 cm/66 cm/1.14 m	27/26/44.75 in	69 cm/66 cm/1.14 m	27/26/44.75 in
Gated narrow	66 cm/51 cm/1.14 m	26/20/44.75 in	66 cm/51 cm/1.14 m	26/20/44.75 in
Standard fibreglass	74 cm/67 cm/1.10 m	29/26.5/43.5 in	74 cm/67 cm/1.10 m	29/26.5/43.5 in

POWER		
Power source - AC or DC models	12V DC / 110/50-60 Hz or 220/50-60 Hz AC	12V DC / 110/50-60 Hz or 220/50-60 Hz AC

SOUND & VIBRATION LEVELS				
Sound pressure level (ground workstation)	<70 dBA	<70 dBA	<70 dBA	<70 dBA
Sound pressure level (platform workstation)	<70 dBA	<70 dBA	<70 dBA	<70 dBA
Vibration	<8 ft 2 in/s ²	<2.5 m/s ²	<8 ft 2 in/s ²	<2.5 m/s ²

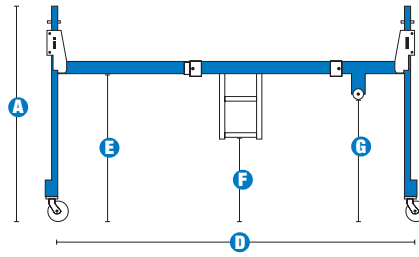
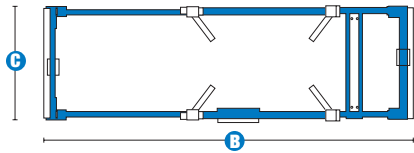
WEIGHT				
AC models (Standard)	461 kg	1,017 lbs	472 kg	1,040 lbs
AC models (RT, Narrow)	_____	_____	_____	_____
DC models (Standard)	502 kg	1,107 lbs	513 kg	1,130 lbs
DC models (RT, Narrow)	_____	_____	_____	_____
Air motor (Standard)	_____	_____	_____	_____
Air motor (RT, Narrow)	_____	_____	_____	_____

STANDARDS COMPLIANCE CE EN280, PB-10-611-03



* The metric equivalent of working height adds 2 m to platform height. U.S. adds 6 ft to platform height.
 ** Tilt back height with standard platform. For tilt back height with other platforms, please contact your sales representative.
 *** Corner of platform top rail to corner of wall with ability to rotate levelling jack handle.

Specifications



SUPER STRADDLE MODELS	AWP™-20S		AWP™-25S	
	Metric	US	Metric	US
A Height	1.78 m	5 ft 10 in	1.78 m	5 ft 10 in
B Length (adjustable)	2.77 – 3.25 m	9 ft 1 in – 10 ft 8 in	2.77 – 3.25 m	9 ft 1 in – 10 ft 8 in
C Width	97 cm	3 ft 2 in	97 cm	3 ft 2 in
Width with required outriggers	1.75 m	5 ft 9 in	2.05 m	6 ft 9 in
D Wheelbase (adjustable)	2.64 - 3.25 m	8 ft 8 in – 10 ft 8 in	2.64 - 3.25 m	8 ft 8 in – 10 ft 8 in
E Straddle clearance	1.22 m	4 ft	1.22 m	4 ft
F Height to ladder	69 cm	2 ft 3 in	69 cm	2 ft 3 in
G Height to fixed wheel	1.02 m	3 ft 4 in	1.02 m	3 ft 4 in
Storage dimensions (l/w/d)	2.03 m /94/61 cm	80/37/24 in	2.03 m /94/61 cm	80/37/24 in

WEIGHT				
	263 kg	580 lbs	263 kg	580 lbs

SUPER STRADDLE MODELS	AWP™-30S		AWP™-36S	
	Metric	US	Metric	US
A Height	1.78 m	5 ft 10 in	1.78 m	5 ft 10 in
B Length (adjustable)	2.77 – 3.25 m	9 ft 1 in – 10 ft 8 in	2.77 – 3.25 m	9 ft 1 in – 10 ft 8 in
C Width	97 cm	3 ft 2 in	97 cm	3 ft 2 in
Width with required outriggers	2.31 m	7 ft 7 in	2.57 m	8 ft 5 in
D Wheelbase (adjustable)	2.64 - 3.25 m	8 ft 8 in – 10 ft 8 in	2.64 - 3.25 m	8 ft 8 in – 10 ft 8 in
E Straddle clearance	1.22 m	4 ft	1.22 m	4 ft
F Height to ladder	69 cm	2 ft 3 in	69 cm	2 ft 3 in
G Height to fixed wheel	1.02 m	3 ft 4 in	1.02 m	3 ft 4 in
Storage dimensions (l/w/d)	2.03 m /94/61 cm	80/37/24 in	2.03 m /94/61 cm	80/37/24 in

WEIGHT				
	263 kg	580 lbs	263 kg	580 lbs

SUPER STRADDLE MODELS	AWP™-40S	
	Metric	US
A Height	1.78 m	5 ft 10 in
B Length (adjustable)	2.77 – 3.25 m	9 ft 1 in – 10 ft 8 in
C Width	97 cm	3 ft 2 in
Width with required outriggers	2.77 m	9 ft 1 in
D Wheelbase (adjustable)	2.64 - 3.25 m	8 ft 8 in – 10 ft 8 in
E Straddle clearance	1.22 m	4 ft
F Height to ladder	69 cm	2 ft 3 in
G Height to fixed wheel	1.02 m	3 ft 4 in
Storage dimensions (l/w/d)	2.03/0.94/0.61 m	80/37/24 in

WEIGHT		
	263 kg	580 lbs

Enquiries from Europe:

Tel: +31 165 519 361
Fax: +31 165 511 148
Email: AWP-InfoEurope@terex.com

Offices:

France

Tel: +33 (0)2 37 26 09 99
Fax: +33 (0)2 37 26 09 98

Germany

Tel: +49 (0)4221 491 810
Fax: +49 (0)4221 491 820

Spain

Tel: +34 93 572 50 90
Fax: +34 93 572 50 91

Scandinavia

Tel: +46 31 57 51 00
Fax: +46 31 57 51 04

The Netherlands

Tel: +31 165 519 361
Fax: +31 165 511 148

UK

The Maltings
Wharf Road
Grantham NG31 6BH
UK
Tel: +44 (0)1476 584333
Fax: +44 (0)1476 584334

Middle East

Tel: +971 4 399 0381
Fax: +971 4 399 0382
Email: AWP.Infome@terex.com

Russia & CIS countries

Tel: +7 495 660 32 30
Fax: +7 495 660 32 29
Email: info@terexrus.ru

Corporate Headquarters:

United States

18340 NE 76th Street
P.O. Box 97030
Redmond, WA
USA 98073-9730
Tel: +1 425 881-1800
Fax: +1 425 883-3475

Distributed By: