

# HILTI



## TE 16 / TE 16-C / TE 16-M

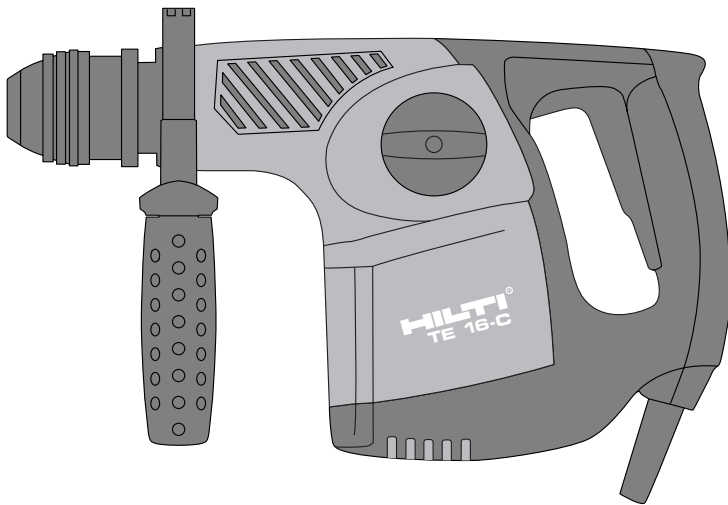
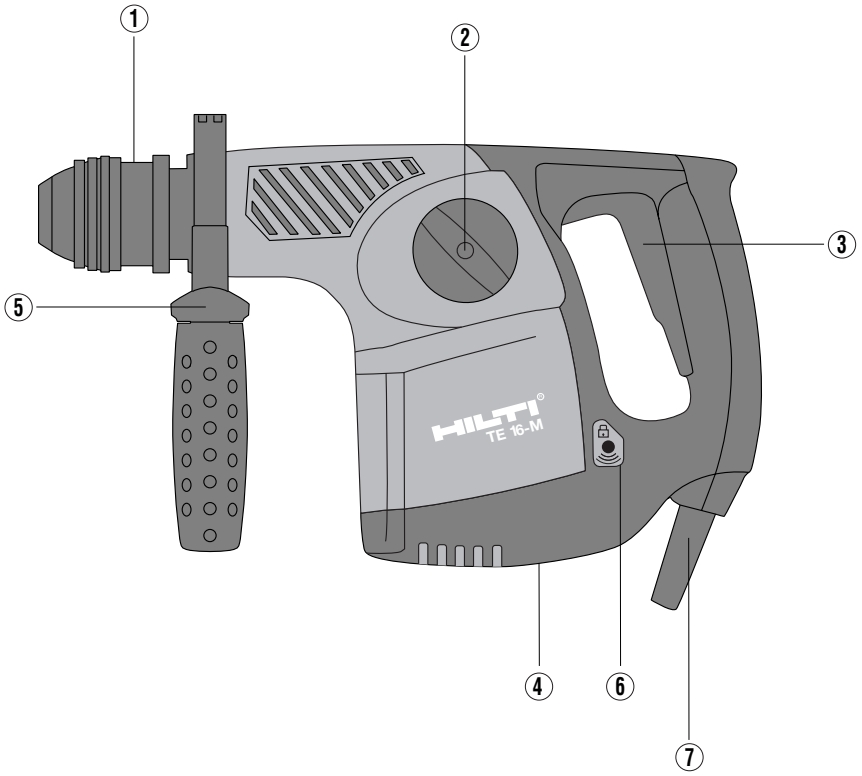
Bedienungsanleitung	de
Operating instructions	en
Mode d'emploi	fr
Istruzioni d'uso	it
Gebruiksaanwijzing	nl
Manual de instruções	pt
Manual de instrucciones	es
Brugsanvisning	da
Käyttöohje	fi
Bruksanvisning	no
Bruksanvisning	sv
Οδηγίες χρήσεως	el
Kasutusjuhend	et
Lietošanas pamācība	lv

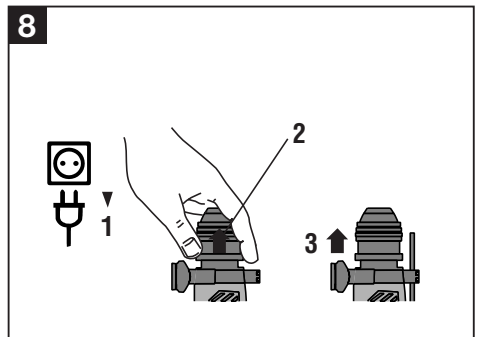
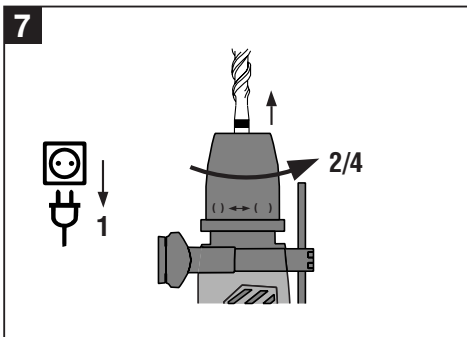
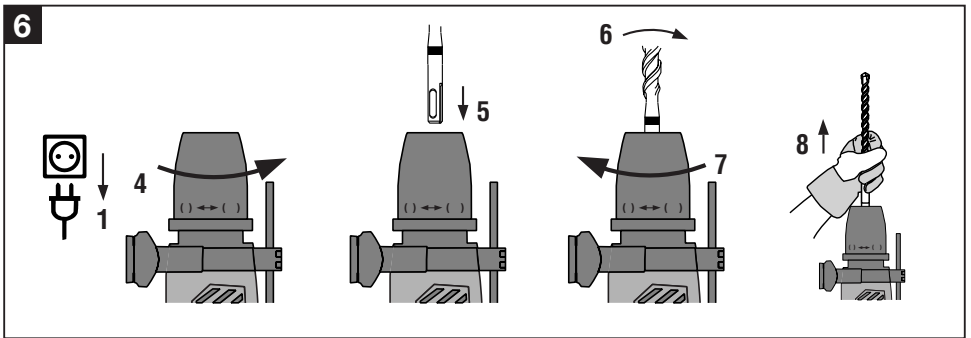
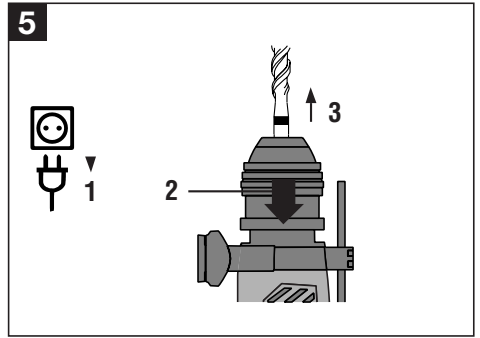
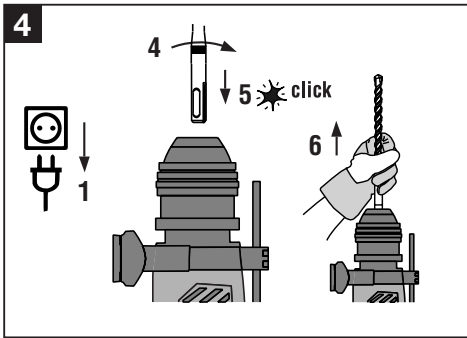
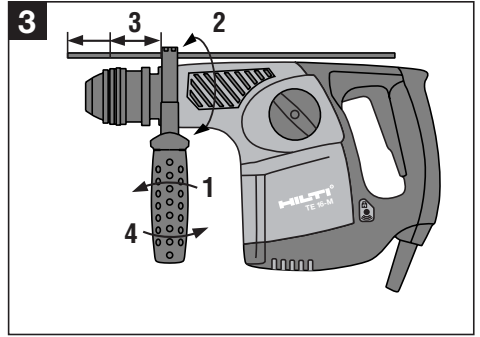
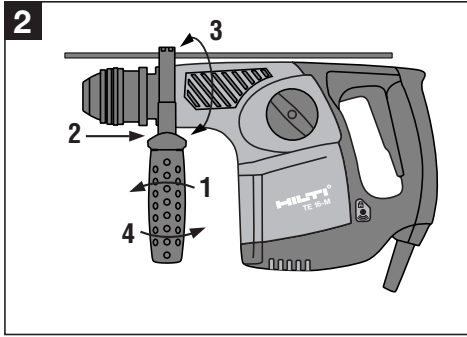


287428

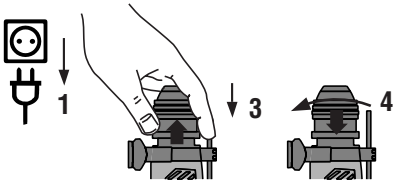


1

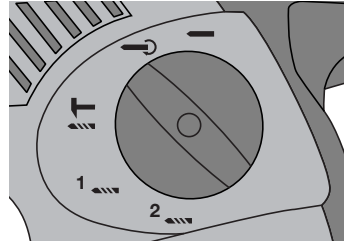




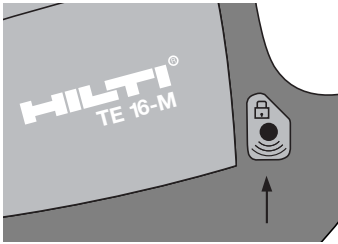
9



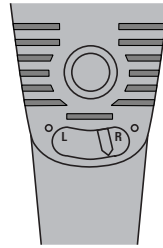
10



11



12



# TE 16/-C/-M rotary hammer

***It is essential that the operating instructions are read before the tool is operated for the first time.***

***Always keep these operating instructions together with the tool.***

***Ensure that the operating instructions are with the tool when it is given to other persons.***

## Operating controls and parts **1**

- ① Chuck
- ② Function selector switch
- ③ Control switch
- ④ Forwards/reverse switch
- ⑤ Side handle with depth gauge
- ⑥ Theft protection system  
(accessory for TE 16-M available as option)
- ⑦ Supply cord

Contents	Page
1. General information	13
2. Description	14
3. Tools and accessories	14
4. Technical data	15
5. Safety precautions	16
6. Before use	18
7. Operation	19
8. Care and maintenance	21
9. Troubleshooting	22
10. Disposal	23
11. Warranty	23
12. EC declaration of conformity	24

## 1. General information

### 1.1 Safety notices and their meaning

#### -CAUTION-

Draws attention to a potentially dangerous situation that could lead to minor personal injury or damage to the equipment or other property.

#### -NOTE-

Draws attention to instructions and other useful information that help the user to employ the product efficiently.

### 1.2 Pictograms

#### Warning signs



General warning



Warning: electricity



Warning: hot surface

#### Obligation signs



Wear a hard hat



Wear eye protection



Wear breathing protection



Wear ear protection



Wear protective gloves

#### Symbols



Read the operating instructions before use.

**1** These numbers refer to the corresponding illustrations. The illustrations can be found on the fold-out cover pages. Keep these pages open while studying the operating instructions.

In these operating instructions, the TE 16, TE 16-C or TE 16-M is referred to as "the tool".

#### Location of identification data on the tool

The type designation can be found on the rating plate and the serial number on the side of the motor housing. Make a note of this data in your operating instructions and always refer to it when making an enquiry to your Hilti representative or service department.

Type: \_\_\_\_\_

Serial No.: \_\_\_\_\_

## 2. Description

The tool is an electrically powered rotary hammer with pneumatic hammering mechanism. The tool is intended for professional use.

### 2.1 Use of the tool as intended

The tool is designed for drilling in concrete and masonry. The tool may also be used for light chiseling work on masonry and for finishing concrete surfaces.

The working environment may be on a construction site or in a workshop and the tool may be used for renovation, conversion or new building work.

The tool may be operated only when connected to a power supply providing a voltage and frequency in compliance with the information given on its rating plate.

Changes or modifications to the tool are not permissible.

To avoid the risk of injury, use only original Hilti accessories and additional equipment. Observe the information printed in the operating instructions concerning operation, care and maintenance. The tool and its ancillary equipment may present hazards when used incorrectly by untrained personnel or when used not as directed.

### 2.2 Chucks

- TE-C (SDS plus) chuck
- TE-T (SDS top) chuck

### 2.3 Switches

#### 2.3.1 Switches on the TE 16

Speed control switch for smooth starting.

Function selector switch for:

- Drilling without hammering
- Hammer drilling

#### 2.3.2 Switches on the TE 16-C

Speed control switch for smooth starting.

Function selector switch for:

- Drilling without hammering
- Hammer drilling
- Chisel adjustment (12 positions)
- Chiseling

#### 2.3.3 Switches on the TE 16-M

Speed control switch for smooth starting.

Function selector switch for:

- Drilling without hammering 2
- Drilling without hammering 1
- Hammer drilling
- Chisel adjustment (12 positions)
- Chiseling

### 2.4 Grips

- Adjustable side handle with depth gauge
- Vibration-absorbing grip

### 2.5 Protective devices

- Mechanical slip clutch

### 2.6 Lubrication

- Oil lubrication

### 2.7 Items supplied as standard

- The electric tool
- TE-C or TE-T chuck
- Side handle with depth gauge
- Operating instructions
- Toolbox
- Cleaning cloth
- Grease
- Dust shield

## 3. Tools and accessories

	TE 16	TE 16-C	TE 16-M
Chuck	TE-C (SDS plus)	TE-C (SDS plus)	TE-C (SDS plus)
Chuck	TE-T (SDS top)	TE-T (SDS top)	TE-T (SDS top)
Hammer drill bits	5–25 mm dia.		
Percussion core bits	66–90 mm dia. (TE-C) 50–90 mm dia. (TE-T)		
Formwork and installation drill bits	10–35 mm dia. (TE-C)		
Lightweight percussion core bits for masonry			25–68 mm dia. (TE-C)
Multi-purpose hole saws			35–105 mm dia. (hex. connection end)

Chisels		Pointed, flat and shaped chisels with TE-C or TE-T connection end
Setting tools	Setting tools with TE-C or TE-T connection end	
Quick-release chucks	Quick-release chucks 282341 and 282342 for wood and metal drill bits with cylindrical or hex. connection end	
Wood drill bits	5–25 mm dia.	
Metal drill bits	up to 13 mm dia.	
Stepped drill bits for metal		3–8 mm dia. (2nd gear) 8–13 mm dia. (1st gear) (hex. connection end)
Mixing paddles for non-inflammable substances		80–150 mm dia. mixing paddles with cylindrical shank
Dust removal system	TE DRS-S	
Theft protection system (available as option)		TPS

## 4. Technical data

Tool	TE 16	TE 16-C	TE 16-M
Rated power input	800 W	800 W	850 W
Rated voltage/rated current input	100 V / 8,2 A 110 V / 7,3 A 110–127 V / 6,8 A 120 V / 6,8 A 220 V / 3,8 A 230 V / 3,6 A 240 V / 3,5 A	100 V / 8,2 A 110 V / 7,3 A 110–127 V / 6,8 A 120 V / 6,8 A 220 V / 3,8 A 230 V / 3,6 A 240 V / 3,5 A	100 V / 11,0 A 110 V / 10,0 A 110–127 V / 10,0 A 120 V / 9,2 A 220 V / 5,0 A 230 V / 4,8 A 240 V / 4,6 A
Mains frequency	50–60 Hz	50–60 Hz	50–60 Hz
Weight of tool	3.8 kg	3.85 kg	4.05 kg
Dimensions (L x W x H)	360 x 90 x 210 mm	360 x 90 x 210 mm	370 x 90 x 210 mm
Drilling speed without hammering, position 2			1100 r.p.m.
Drilling speed without hammering, position 1	750 r.p.m.	750 r.p.m.	750 r.p.m.
Hammer drilling speed	750 r.p.m.	750 r.p.m.	750 r.p.m.
Single impact energy	3.2 J	3.2 J	3.2 J
Chuck	TE-C (SDS plus)/TE-T (SDS top)		
Drilling dia. range in concrete/masonry (hammer drilling)	5–28mm dia.		
Percussion core bits	66–90 mm dia.		
Drilling dia. range with drill bits for wood	5–20 mm dia.		
Drilling dia. range with drill bits for metal	max. 13 mm dia.		
Drilling dia. range in medium-hard concrete	16 mm dia./72 cm <sup>3</sup> /min		
Double insulated (in accordance with EN 50144)	Protection class II		
Mechanical slip clutch			

Vibration absorbing grip and side handle		
Interference immunity	in accordance with EN 55014-2	
Radio and television interference suppression	in accordance with EN 55014-1	
<b>Noise and vibration information (measured in accordance with EN 50144):</b>		
Typical A-weighted sound power level (LwA):	102 dB (A)	
Typical A-weighted sound power level (LpA):	89 dB (A)	
<b>Wear ear protection!</b>		
Typical weighted vibration at the grips	9,5 m/s <sup>2</sup>	9 m/s <sup>2</sup>

Right of technical changes reserved!

## 5. Safety precautions

### 5.1 Basic information concerning safety

**CAUTION:** To avoid the risk of electric shock, injury or fire, the following basic safety precautions must always be observed when using electric tools.

Read all safety precautions and instructions before using this tool.

### 5.2 Safety precautions at the workplace



- Ensure that the workplace is well lit.
- Ensure that the workplace is well ventilated.
- Keep the workplace tidy. Objects which could cause injury should be removed from the working area. Untidiness at the workplace can lead to accidents.
- Secure the workpiece. Use clamps or a vice to hold the workpiece in place. The workpiece is thus held more securely than by hand and both hands remain free to operate the tool.
- Wear eye protection.
- Wear breathing protection if the work creates dust.
- Wear suitable working clothing. Do not wear loose clothing, loose long hair or jewelry as it can become caught up in moving parts. Wear suitable headgear if you have long hair.
- It is recommended that protective gloves and non-slip shoes are worn when working outdoors.
- Keep children and other persons away from the working area.
- Do not allow other persons to tamper with the tool or the supply cord.
- Avoid unfavorable body positions. Work from a secure stance and stay in balance at all times.

- Connect the dust extraction system. Check that this system is connected and used correctly.
- To avoid tripping and falling when working, always lead the supply cord, extension cord and dust extraction hose away to the rear.
- Concealed electric cables or gas and water pipes present a serious hazard if damaged while you are working. Accordingly, check the area in which you are working beforehand (e.g. using a metal detector). External metal parts of the tool may become live, for example, when an electric cable is drilled into inadvertently.

### 5.3 General safety precautions



- Use the right tool for the job. Do not use the tool for purposes for which it was not intended. Use the tool only as directed and when it is in faultless condition.
- Avoid contact with rotating parts.
- Use only the original accessories or ancillary equipment listed in the operating instructions. Use of accessories or items of ancillary equipment other than those listed in the operating instructions may present a risk of personal injury.
- Take the influences of the surrounding area into account. Do not expose the tool to rain or snow and do not use it in damp or wet conditions. Do not use the tool where there is a risk of fire or explosion.
- Keep the grips clean, dry and free from oil and grease.
- Do not overload the tool. It will work more efficiently and more safely within its intended performance range.
- Always hold the tool securely with both hands on the grips provided.



- When not in use, the tool must be stored in a dry place, locked up or out of reach of children.
- Avoid unintentional starting. Never keep a finger on the on/off switch when carrying the tool when it is connected to the electric supply. Check that the on/off switch is in the "off" position before plugging the supply cord into the electric socket.
- Switch the tool on only once it has been brought into the working position close to the workpiece.
- Unplug the tool when it is not in use, during pauses between work, before maintenance and before changing insert tools.
- Switch the tool off before transporting it.
- Take care of your insert tools. You will be able to work more efficiently and more safely if the insert tools are kept sharp and clean. Observe the instructions concerning lubrication and changing insert tools.
- Check that moving parts function correctly without sticking and that no parts are damaged. All parts must be fitted correctly and fulfill all conditions necessary for correct operation of the tool.
- Check the tool for possible damage. Protective devices and any parts that may have suffered slight damage should be checked for correct operation and functionality before further use. Damaged safety devices or other damaged parts must be replaced or repaired properly by an authorized repair workshop unless otherwise indicated in the operating instructions.

### 5.3.1 Mechanical hazards



- Observe the instructions concerning care and maintenance.
- Ensure that the insert tools used are equipped with the appropriate connection end system and that they are properly fitted and secured in the chuck.

### 5.3.2 Electrical hazards



- Protect yourself against electric shock. Avoid body contact with earthed/grounded objects, e.g. pipes, radiators, cookers and fridges.
- Check the condition of the supply cord and its plug connections and have it replaced by a qualified electrician if damage is found. Check the condition of the extension cord and replace it if damage is found.
- Check the condition of the tool and its accessories. Do not operate the tool or its accessories if damage is found, if the tool is incomplete or if its controls cannot be operated faultlessly.
- Do not touch the supply cord in the event of it suffering damage while working. Disconnect the supply cord plug from the socket.

- Damaged or faulty switches must be replaced at a Hilti service center. Do not use the tool if its switch is inoperative.
- Have the tool repaired only by a trained electrical specialist (Hilti service center) using original Hilti spare parts. Failure to observe this point may result in risk of accident to the user.
- Electrostatic discharge is possible at any time.
- Do not use the supply cord for purposes for which it is not intended. Never carry the tool by the supply cord and never pull the plug out of the socket by pulling the supply cord.
- Do not expose the supply cord to heat, oil or sharp edges.
- When working outdoors, use only extension cords that are approved and correspondingly marked for this type of use.
- In the event of a power failure, switch the tool off and unplug the supply cord.
- Avoid using extension cords with multiple sockets and the simultaneous use of several tools connected to one extension cord.
- Never operate the tool when it is dirty or wet. Dust (especially dust from conductive materials) or dampness adhering to the surface of the tool may, under unfavorable conditions, present a risk of electric shock. Dirty or dusty electric tools should thus be checked at a Hilti service center at regular intervals, especially if used frequently for working on conductive materials.

### 5.3.3 Thermal hazards



Warning:  
hot surface



Wear  
protective  
gloves

- The insert tool may become hot during use. Wear protective gloves when changing insert tools.

### 5.3.4 Dust



Wear  
breathing  
protection

- Breathing protection must be worn when the tool is used without a dust removal system for work that creates dust.

### 5.4 Requirements to be met by users

- The tool is intended for professional use.
- The tool may be operated, serviced and repaired only by authorized, trained personnel. This personnel must be informed of any special hazards that may be encountered.
- Always concentrate on the job you are doing. Proceed carefully and do not use the tool if your full attention is not on the job.
- Exercise your fingers during pauses between work to improve the blood circulation in your fingers.

### 5.5 Personal protective equipment

The user and any other persons in the vicinity must wear suitable eye protection, a hard hat, ear protection and protective gloves when the tool is in use. Breathing protection must be worn if no dust removal system is used.



## 6. Before use



### 6.1 Use of extension cords

Use only extension cords of a type approved for the application and with conductors of adequate cross section. Failure to observe this point may cause the tool to lose power and the extension cord may overheat. Check the extension cord for damage at regular intervals. Replace damaged extension cords.

Recommended minimum conductor cross section and max. extension cord lengths:

Mains voltage	Conductor cross section				AWG	
	1.5 mm <sup>2</sup>	2.0 mm <sup>2</sup>	2.5 mm <sup>2</sup>	3.3 mm <sup>2</sup>	14	12
100 V	–	30 m	–	50 m	–	–
110–120 V	20 m	30 m	40 m	50 m	75 ft	125 ft
220–240 V	50 m	–	100 m	–	–	–

Do not use extension cords with 1.25 mm<sup>2</sup> or 16 AWG conductor cross sections.

### Use of extension cords outdoors

When working outdoors use only extension cords that are correspondingly marked and approved for outdoor use.

### 6.2 Use of a generator or transformer

This tool may be powered by a generator or transformer which fulfills the following conditions:

- AC voltage, output power at least 2600 W.
- The operating voltage must be within +5 % and –15 % of the rated voltage at all times.
- Frequency range 50–60 Hz, never above 65 Hz.
- Automatic voltage regulation with starting boost.

Never operate other tools or appliances from the generator or transformer at the same time. Switching other tools or appliances on and off may cause undervoltage and/or overvoltage peaks, resulting in damage to the electric tool.

### 6.3 Fitting the side handle 2

1. Unplug the tool from the mains socket.
2. Release the side handle clamping band by turning the handle in a counter-clockwise direction.
3. Fit the side handle clamping band over the chuck and onto the cylindrical section at the front end of the tool.
4. Pivot the side handle into the desired position.
5. Tighten the side handle securely to prevent inadvertent movement.



## 7. Operation



**CAUTION:** In the event of the drill bit sticking, the tool will pivot about its own axis.

Always use the tool with the side handle fitted and hold it securely with both hands applying an opposing torque so that the clutch releases in the event of the drill bit sticking.

Use a vice or clamp to secure loose workpieces.

	<b>-CAUTION-</b>
	<ul style="list-style-type: none"><li>• The insert tool may become hot during use.</li><li>• There is a risk of burning the hands.</li><li>• Wear protective gloves when changing insert tools.</li></ul>

### 7.1 Preparing the tool for use

#### 7.1.1 Adjusting the depth gauge 3

1. Release the side handle clamping mechanism by turning the handle in a counter-clockwise direction.
2. Pivot the side handle into the desired position.
3. Adjust the depth gauge to the desired drilling depth "X".
4. Tighten the side handle securely by turning the handle in a clockwise direction.

#### 7.1.2 Fitting the insert tool (TE-C) 4

1. Unplug the supply cord from the mains socket.
2. Check that the connection end of the insert tool is clean and lightly greased. Clean it and grease it if necessary.
3. Check that the sealing lip of the dust shield is clean and in good condition. Clean the dust shield if necessary or replace it if the sealing lip is damaged.
4. Push the connection end of the insert tool into the chuck and, while applying slight pressure, rotate the insert tool until it engages in the guide grooves.
5. Push the insert tool further into the chuck until it is heard to engage.
6. Check that the insert tool has engaged correctly (pull by hand).

#### 7.1.3 Removing the insert tool (TE-C) 5

1. Unplug the supply cord from the mains socket.
2. Open the chuck by pulling back the locking sleeve.
3. Pull the insert tool out of the chuck.

#### 7.1.4 Fitting the insert tool (TE-T) 6

##### -NOTE-

Remove the depth gauge from the side handle in order to avoid injury.

1. Unplug the supply cord from the mains socket.
2. Check that the connection end of the insert tool is clean and lightly greased. Clean it and grease it if necessary.
3. Check that the sealing lip of the dust shield is clean and in good condition. Clean the dust shield if necessary or replace it if the sealing lip is damaged.
4. Turn the chuck locking ring toward the ☾ ☽ symbol.
5. Push the insert tool into the chuck as far as it will go.
6. Rotate the insert tool until it is heard to engage.
7. Turn the chuck locking ring toward the ☾ ☽ symbol.
8. Check that the insert tool has engaged correctly (pull by hand).

#### 7.1.5 Removing the insert tool (TE-T) 7

##### -NOTE-

Remove the depth gauge from the side handle in order to avoid injury.

1. Unplug the supply cord from the mains socket.
2. Turn the chuck locking ring toward the ☾ ☽ symbol.
3. Pull the insert tool out of the chuck.
4. Turn the chuck locking ring toward the ☾ ☽ symbol.

#### 7.1.6 Removing the chuck (TE-C und TE-T) 8

##### -NOTE-

Remove the depth gauge from the side handle in order to avoid injury.

1. Unplug the supply cord from the mains socket.
2. Pull the retaining ring on the chuck toward the front and hold it in this position.
3. Pull the chuck away from the tool toward the front.

#### 7.1.7 Fitting the chuck (TE-C und TE-T) 9

##### -NOTE-

Remove the depth gauge from the side handle in order to avoid injury.

The chuck must be open ☾ ☽.

1. Unplug the supply cord from the mains socket.
2. Grip the sleeve around the base of the chuck and pull it forward. Hold it in this position.
3. Push the chuck onto the guide tube on the tool and release the sleeve.
4. Turn the chuck until it is heard to engage.

## 7.2 Operating the tool




### 7.2.1 Activating the tool (theft protection system) (TE 16-M) (accessory available as option)


Please refer to the operating instructions for the TPS theft protection system.

1. Plug the supply cord of the tool into the mains socket. The yellow theft protection indicator blinks. (The tool is now under power and ready for activation by contactless communication with a valid electronic activation key.)
2. Bring the tool within range of the activation key (approx. 50–70 cm). The tool is activated and ready for use as soon as the yellow theft protection indicator lamp no longer lights. (The system is designed so that the activation key for the tool normally doesn't have to be taken out of the trouser pocket.)


#### -NOTE-

The tool remains activated and ready for use as long as it is connected to the mains supply



<b>-CAUTION-</b>	
	<ul style="list-style-type: none"> <li>● Drilling may cause splintering of the material.</li> <li>● Splinters may cause injury to parts of the body and eyes.</li> <li>● Wear eye protection, protective gloves and breathing protection if no dust removal system is used.</li> </ul>
	
	

<b>-CAUTION-</b>	
	<ul style="list-style-type: none"> <li>● The tool and the drilling operation emit noise.</li> <li>● Excessive noise may damage the hearing.</li> <li>● Wear ear protection.</li> </ul>

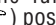

### 7.2.2 Drilling without hammering, position (2 ) (TE 16-M)

1. Engage the function selector switch in the (2 ) position. Do not operate the function selector switch while the motor is running.
2. Adjust the side handle to the desired position and check that it is fitted and secured correctly.
3. Plug the supply cord into the mains socket.
4. Position the tip of the drill bit at the point where the hole is to be drilled.
5. Press the control switch slowly. Begin drilling at low speed, increasing speed only after the drill bit has become centered in the hole.
6. Press the control switch fully to continue drilling at full power.
7. Do not apply excessive pressure to the tool. This will not increase its hammering power. Lower contact pressure increases the life of the insert tool.

### 7.2.3 Drilling without hammering, position ( / 1 ) (TE 16/TE 16-C /TE 16-M)

1. Engage the function selector switch in the ( / 1 ) position. Do not operate the function selector switch while the motor is running.
2. Adjust the side handle to the desired position and check that it is fitted and secured correctly.
3. Plug the supply cord into the mains socket.
4. Position the tip of the drill bit at the point where the hole is to be drilled.
5. Press the control switch slowly. Begin drilling at low speed, increasing speed only after the drill bit has become centered in the hole.
6. Press the control switch fully to continue drilling at full power.
7. Do not apply excessive pressure to the tool. This will not increase its hammering power. Lower contact pressure increases the life of the insert tool.

### 7.2.4 Hammer drilling ( ) (TE 16/TE 16-C/TE 16-M)

1. Engage the function selector switch in the ( ) position. Do not operate the function selector switch while the motor is running.
2. Adjust the side handle to the desired position and check that it is fitted and secured correctly.
3. Plug the supply cord into the mains socket.
4. Position the tip of the drill bit at the point where the hole is to be drilled.
5. Press the control switch slowly. Begin drilling at low speed, increasing speed only after the drill bit has become centered in the hole.
6. Press the control switch fully to continue drilling at full power.
7. Do not apply excessive pressure to the tool. This will not increase its hammering power. Lower contact pressure increases the life of the insert tool.
8. When drilling through-holes, avoid spalling by reducing drilling speed shortly before breaking through.

#### -NOTE-

When working at low temperatures: The hammering mechanism begins to operate only when the tool has reached a minimum operating temperature.

Press the tip of the drill bit briefly against the work surface while the tool is running. Repeat this procedure if necessary. The hammering mechanism will begin to operate when the tool reaches the minimum operating temperature.

### 7.2.5 Chiseling ( / ) (TE 16-C/TE 16-M)

#### -NOTE-

The chisel can be locked in 12 different positions (in 30° increments). Flat and shaped chisels can thus always be brought into the optimum position for the job on hand.

### Chisel position adjustment

1. Engage the function selector switch in the position (◀▶). Do not operate the function selector switch while the motor is running.
2. Adjust the side handle to the desired position and check that it is fitted and secured correctly. (When chiseling, the tool may also be held at the section of the housing behind the chuck.)
3. Adjust the chisel to the desired position.

#### -CAUTION-

Do not work with the tool when the function selector switch is in this position.

### Locking the chisel

1. Engage the chisel selector switch in the (◀▶) position. Do not operate the function selector switch while the motor is running.

### Chiseling (◀▶)

1. Plug the supply cord into the mains socket.
2. Position the tip of the chisel at the desired position on the work surface.
3. Press the control switch fully.

#### 7.2.6 Forwards/reverse rotation

#### -CAUTION-

Do not operate the forwards/reverse switch while the motor is running.

1. Turn the switch to the forwards ("R") or reverse ("L") position.

en

## 8. Care and maintenance

Unplug the supply cord from the mains socket.

### 8.1 Care of insert tools

Clean off dirt and dust deposits and protect your insert tools from corrosion by wiping them from time to time with an oil-soaked rag.

### 8.2 Care of the electric tool

The outer casing of the tool is made from impact-resistant plastic. Sections of the grip are made from a synthetic rubber material.

Never operate the tool when the ventilation slots are blocked. Clean the ventilation slots carefully with a dry brush. Do not permit foreign objects to enter the interior of the tool. Clean the outside of the tool at regular intervals with a slightly damp cloth. Do not use a spray, steam pressure cleaning equipment or running water for cleaning. This may negatively affect the electrical safety of the tool. Always keep the grip surfaces of the tool free from oil and grease. Do not use cleaning agents containing silicone.

### 8.3 Maintenance

Check all external parts of the tool for damage at regular intervals and check that all controls operate faultlessly. Do not operate the tool if parts are damaged or when the controls do not function faultlessly. If necessary, your electric tool should be repaired at a Hilti repair center.

Repairs to the electrical section of the tool may be carried out only by trained electrical specialists.

### 8.4 Checks after care and maintenance

After carrying out care and maintenance on the tool, check that all protective equipment has been refitted and that all parts function faultlessly.

## 9. Troubleshooting

Fault	Possible cause	Remedy
The tool doesn't start.	Fault in mains supply.	Plug in another electric appliance and check whether it works.
	Supply cord or plug defective.	Have the cord checked and, if necessary, replaced by an electrical specialist.
	Control switch defective.	Have it checked and, if necessary, replaced by an electrical specialist.
	The tool is not activated. (TE 16-M with theft protection system)	Activate the tool with the activation key.
No hammering action.	The tool is too cold.	Allow the tool to warm up to the minimum operating temperature. (See "Operation".)
	The function selector switch is set to rotary drilling.	Set the function selector switch to hammer drilling.
The tool does not achieve full power.	Extension cord with inadequate cross section used.	Use an extension cord with adequate cross section. (See "Before use".)
	Control switch not fully pressed.	Press the control switch as far as it will go.
Drill bit doesn't rotate.	Function selector switch not engaged.	<b>After rotation has stopped</b> , move the function selector switch until it engages.
The drill bit cannot be released from the chuck.	Chuck sleeve not pulled back fully.	Pull the chuck sleeve back as far as it will go and remove the insert tool.
	Side handle not correctly fitted or moved out of place.	Release the side handle and reposition it correctly so that the clamping band and side handle are engaged in the groove. (see 6.3)
The drill bit makes no progress.	The forwards/reverse switch is set to reverse rotation.	Set the switch to forwards rotation.

## 10. Disposal

Most of the materials from which Hilti electric tools are manufactured can be recycled. The materials must be correctly separated before they can be recycled. In many countries, Hilti has already made arrangements for taking back your old electric tools for recycling. Please ask your Hilti customer service department or Hilti representative for further information.

Should you wish to return the electric tool yourself to a disposal facility for recycling, proceed as follows: Dismantle the electric tool as far as possible without the need for special tools. Use absorbent paper to wipe oily parts clean and to collect any grease that runs out (total quantity approx. 50 ml). This paper should also be disposed of correctly. **On no account should grease be allowed to enter the waste water system or to find its way into the ground.**

**The individual parts should be separated as follows:**

Part/assembly	Main material	Recycling
Toolbox	Plastic	Plastics recycling
Gear housing	Aluminium alloy	Scrap metal
Bearing plate	Aluminium alloy	Scrap metal
Grip, side handle	Plastic	Plastics recycling
Motor housing	Plastic	Plastics recycling
Grip cover	Plastic	Plastics recycling
Fan	Plastic	Plastics recycling
Motor (rotor and stator)	Steel and copper	Scrap metal
Supply cord	Copper, synthetic rubber	Scrap metal
Gearing parts	Steel	Scrap metal
Hammering mechanism parts	Steel	Scrap metal
Screws, small parts	Steel	Scrap metal

## 11. Warranty

Hilti warrants that the product supplied is free of defects in material and workmanship. This warranty is valid as long as the product is operated and handled correctly, cleaned and serviced properly and in accordance with the Hilti operating instructions, all warranty claims are made within 12 months (unless other mandatory national regulations prescribe a longer minimum period) from the date of sale (invoice date) and the technical system is maintained, i.e. only original Hilti consumables, accessories and spare parts are used with the product.

This warranty provides the free-of-charge repair or replacement of defective parts only. Parts requiring repair or replacement as a result of normal wear and tear are not covered by this warranty.

**Additional claims are excluded, unless mandatory national regulations prohibit such exclusion. In particular, Hilti is not obligated for direct, indirect, incidental or consequential damages, losses or expenses in connection with, or by reason of, the use of, or inability to use the product for any purpose. Implied warranties of merchantability or fitness for a particular purpose are specifically excluded.**

Send the product and/or related parts immediately upon discovery of a defect to the local Hilti marketing organization for repair or replacement.

This constitutes Hilti's entire obligation with regard to warranty and supersedes all prior or contemporaneous comments and oral or written agreements concerning warranties.

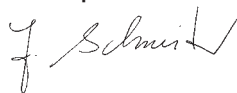
## 12. EC declaration of conformity

Designation:	Rotary hammer
Type:	TE 16/TE 16-C/TE 16-M
Year of design:	2003

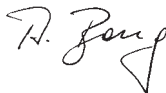
en

We declare, on our sole responsibility, that this product complies with the following directives and standards: 73/23/EEC, 89/336/EEC, 98/37/EC, EN 55014-1, EN 55014-2, EN 50144-1, EN 50144-2-6, EN 61000-3-2, EN 61000-3-3

### Hilti Corporation



**Dr. Heinz-Joachim Schneider**  
Executive Vice President  
Business Area Electric Tools & Accessories  
02/2004



**Dr. Andreas Bong**  
Senior Vice President  
Business Unit Power Tools  
02/2004





**Hilti Corporation**

FL-9494 Schaan

Tel.: +423 / 234 21 11

Fax: +423 / 234 29 65

[www.hilti.com](http://www.hilti.com)