



**Robert Bosch GmbH**  
Power Tools Division  
70745 Leinfelden-Echterdingen

[www.bosch-pt.com](http://www.bosch-pt.com)

1 619 929 736 (2007.08) T / 119

## GBH Professional

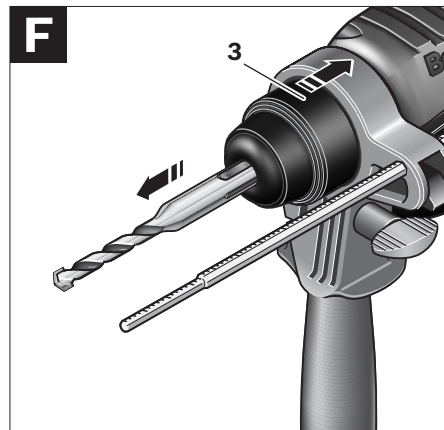
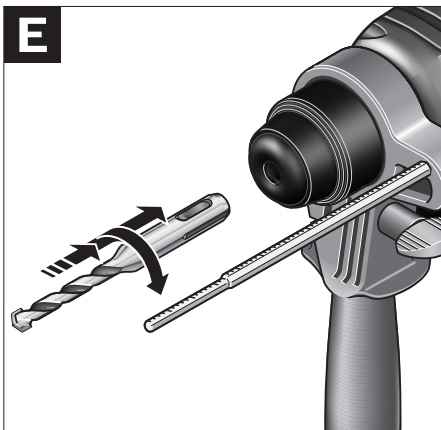
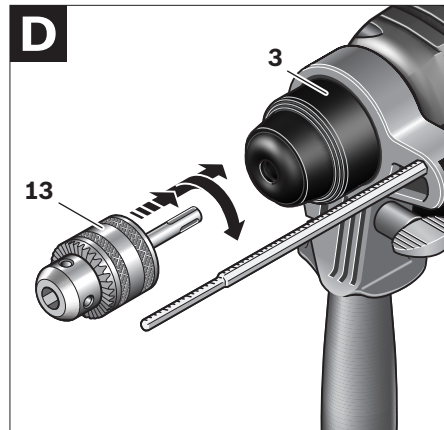
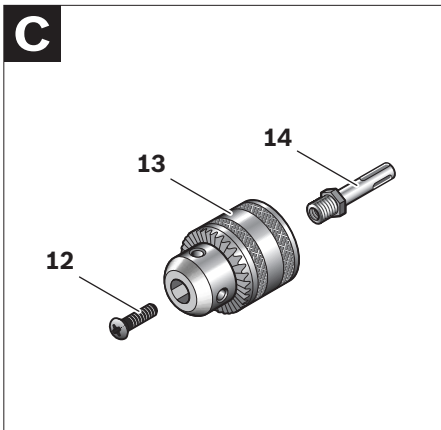
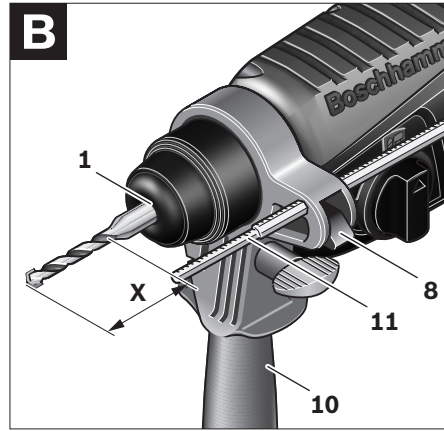
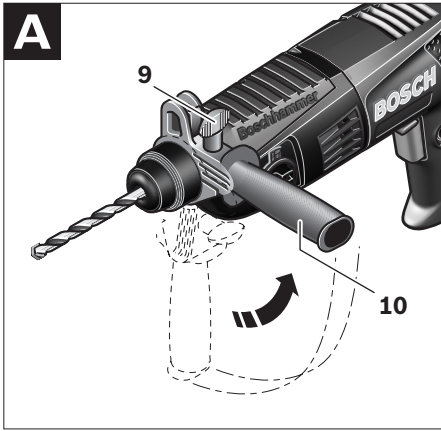
2-18 E | 2-18 RE



**de** Originalbetriebsanleitung  
**en** Original instructions  
**fr** Notice originale  
**es** Manual original  
**pt** Manual original  
**it** Istruzioni originali  
**nl** Oorspronkelijke gebruiksaanwijzing

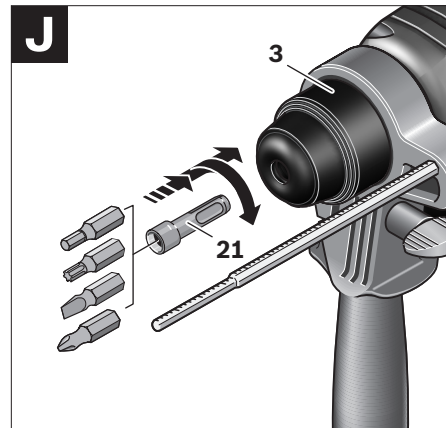
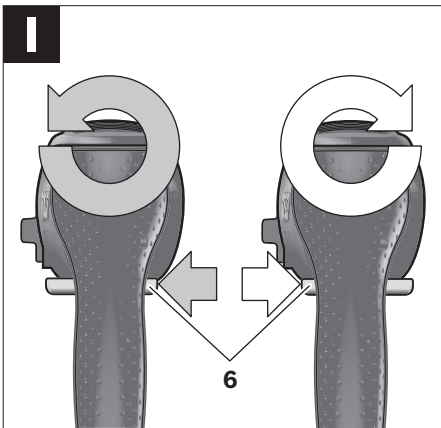
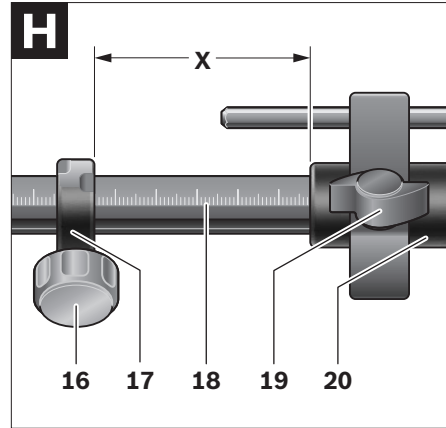
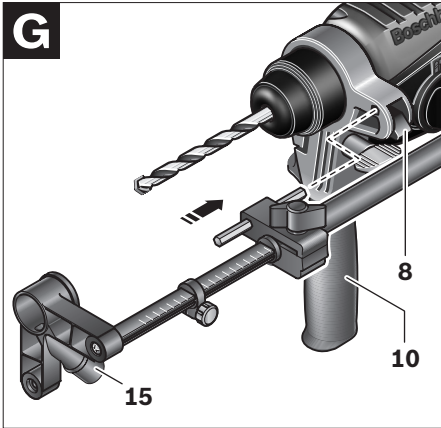
**da** Original brugsanvisning  
**sv** Bruksanvisning i original  
**no** Original driftsinstruks  
**fi** Alkuperäiset ohjeet  
**el** Πρωτότυπο οδηγιών χρήσης  
**tr** Orijinal işletme talimatı







4 |





**GBH 2-18 RE  
Professional**

#### 4) Power tool use and care

- a) **Do not force the power tool. Use the correct power tool for your application.** The correct power tool will do the job better and safer at the rate for which it was designed.
- b) **Do not use the power tool if the switch does not turn it on and off.** Any power tool that cannot be controlled with the switch is dangerous and must be repaired.
- c) **Disconnect the plug from the power source and/or the battery pack from the power tool before making any adjustments, changing accessories, or storing power tools.** Such preventive safety measures reduce the risk of starting the power tool accidentally.
- d) **Store idle power tools out of the reach of children and do not allow persons unfamiliar with the power tool or these instructions to operate the power tool.** Power tools are dangerous in the hands of untrained users.
- e) **Maintain power tools. Check for misalignment or binding of moving parts, breakage of parts and any other condition that may affect the power tool's operation. If damaged, have the power tool repaired before use.** Many accidents are caused by poorly maintained power tools.
- f) **Keep cutting tools sharp and clean.** Properly maintained cutting tools with sharp cutting edges are less likely to bind and are easier to control.
- g) **Use the power tool, accessories and tool bits etc. in accordance with these instructions, taking into account the working conditions and the work to be performed.** Use of the power tool for operations different from those intended could result in a hazardous situation.

#### 5) Service

- a) **Have your power tool serviced by a qualified repair person using only identical replacement parts.** This will ensure that the safety of the power tool is maintained.

### Machine-specific Safety Warnings

- ▶ **Wear hearing protection.** Exposure to noise can cause hearing loss.
- ▶ **Always use the auxiliary handle supplied with the machine.** Loss of control can cause personal injury.
- ▶ **Use suitable detectors to determine if utility lines are hidden in the work area or call the local utility company for assistance.** Contact with electric lines can lead to fire and electric shock. Damaging a gas line can lead to explosion. Penetrating a water line causes property damage or may cause an electric shock.
- ▶ **When working with the machine, always hold it firmly with both hands and provide for a secure stance.** The power tool is guided more secure with both hands.
- ▶ **Secure the workpiece.** A workpiece clamped with clamping devices or in a vice is held more secure than by hand.
- ▶ **Do not work materials containing asbestos.** Asbestos is considered carcinogenic.
- ▶ **Take protective measures when dust can develop during working that is harmful to one's health, combustible or explosive.** Example: Some dusts are regarded as carcinogenic. Wear a dust mask and work with dust/chip extraction when connectable.
- ▶ **Keep your workplace clean.** Blends of materials are particularly dangerous. Dust from light alloys can burn or explode.

- ▶ **Always wait until the machine has come to a complete stop before placing it down.** The tool insert can jam and lead to loss of control over the power tool.
- ▶ **Never use the machine with a damaged cable. Do not touch the damaged cable and pull the mains plug when the cable is damaged while working.** Damaged cables increase the risk of an electric shock.

## Functional Description



**Read all safety warnings and all instructions.** Failure to follow the warnings and instructions may result in electric shock, fire and/or serious injury.

While reading the operating instructions, unfold the graphics page for the machine and leave it open.

## Intended Use

The machine is intended for hammer drilling in concrete, brick and stone. It is also suitable for drilling without impact in wood, metal, ceramic and plastic. Machines with electronic control and right/left rotation are also suitable for screw-driving.

## Product Features

The numbering of the product features refers to the illustration of the machine on the graphics page.

- 1 SDS-plus tool holder
  - 2 Dust protection cap
  - 3 Locking sleeve
  - 4 Lock-on button for On/Off switch
  - 5 On/Off switch
  - 6 Rotational direction switch (GBH 2-18 RE)
  - 7 Selector switch for drilling/hammer drilling
  - 8 Button for depth stop adjustment
  - 9 Wing bolt for adjustment of auxiliary handle
  - 10 Auxiliary handle
  - 11 Depth stop
  - 12 Securing screw for key type drill chuck\*
  - 13 Key type drill chuck\*
  - 14 SDS-plus adapter shank for drill chuck\*
  - 15 Extraction sleeve of the dust extraction attachment\*
  - 16 Clamping screw for the dust extraction attachment\*
  - 17 Depth stop of the dust extraction attachment\*
  - 18 Telescopic pipe of the dust extraction attachment\*
  - 19 Wing bolt of the dust extraction attachment\*
  - 20 Guide pipe of the dust extraction attachment\*
  - 21 Universal bit holder with SDS-plus shank\*
- \*The accessories illustrated or described are not included as standard delivery.**

## Technical Data

Rotary Hammer		GBH 2-18 E Professional	GBH 2-18 RE Professional
Article number		3 611 B58 2..	3 611 B58 3..
Speed control		●	●
Right/left rotation		–	●
Rated power input	W	550	550
Impact frequency at rated speed	bpm	0–3960	0–3960
Impact energy per stroke	J	0–1.7	0–1.7
Rated speed			
– Right rotation	rpm	450–1550	450–1550
– Left rotation	rpm	–	450–930
Tool holder		SDS-plus	SDS-plus
Spindle collar diameter	mm	43 (Euro-Norm)	43 (Euro-Norm)
Drilling diameter, max.:			
– Concrete	mm	18	18
– Steel	mm	13	13
– Wood	mm	30	30
Weight according to EPTA-Procedure 01/2003	kg	2.0	2.0
Protection class		□ / II	□ / II

The values given are valid for nominal voltages [U] of 230/240 V. For lower voltage and models for specific countries, these values can vary.

Please observe the article number on the type plate of your machine. The trade names of the individual machines may vary.

## Noise/Vibration Information

Measured values determined according to EN 60745.

Typically the A-weighted noise levels of the product are: Sound pressure level 88 dB(A); Sound power level 99 dB(A). Uncertainty K = 3 dB.

### Wear hearing protection!

Vibration total values (triax vector sum) determined according to EN 60745:

Hammer drilling into concrete: Vibration emission value  $a_{h1} = 10 \text{ m/s}^2$ , Uncertainty K = 1.5  $\text{m/s}^2$ .

The vibration emission level given in this information sheet has been measured in accordance with a standardised test given in EN 60745 and may be used to compare one tool with another. It may be used for a preliminary assessment of exposure.

The declared vibration emission level represents the main applications of the tool. However if the tool is used for different applications, with different accessories or poorly maintained, the vibration emission may differ. This may significantly increase the exposure level over the total working period.

An estimation of the level of exposure to vibration should also take into account the times when the tool is switched off or when it is running but not actually doing the job. This may significantly reduce the exposure level over the total working period.

Identify additional safety measures to protect the operator from the effects of vibration such as: maintain the tool and the accessories, keep the hands warm, organisation of work patterns.

## Declaration of Conformity

We declare under our sole responsibility that the product described under "Technical Data" is in conformity with the following standards or standardization documents: EN 60745 according to the provisions of the directives 2004/108/EC, 98/37/EC (until Dec. 28, 2009), 2006/42/EC (from Dec. 29, 2009 on).

Technical file at:  
Robert Bosch GmbH, PT/ESC,  
D-70745 Leinfelden-Echterdingen

Dr. Egbert Schneider Senior Vice President Engineering	Dr. Eckerhard Strötgen Head of Product Certification
--	--

*ppa. Schneider* *i.V. Strötgen*

23.07.2007, Robert Bosch GmbH, Power Tools Division  
D-70745 Leinfelden-Echterdingen

## Assembly

- ▶ **Before any work on the machine itself, pull the mains plug.**

### Auxiliary Handle

- ▶ **Operate your machine only with the auxiliary handle 10.**

#### Rotating the Auxiliary Handle (see figure A)

The auxiliary handle **10** can be set to any position for a secure and low-fatigue working posture.

Turn the wing bolt for adjustment of the auxiliary handle **9** in anticlockwise direction and set the auxiliary handle **10** to the required position.

Then tighten the wing bolt **9** again in clockwise direction.

### Adjusting the Drilling Depth (see figure B)

The required drilling depth **X** can be set with the depth stop **11**.

Press the button for the depth stop adjustment **8** and insert the depth stop into the auxiliary handle **10**.

The knurled surface of the depth stop **11** must face downward.

Insert the SDS-plus drilling tool to the stop into the SDS-plus tool holder **1**. Otherwise, the movability of the SDS-plus drilling tool can lead to incorrect adjustment of the drilling depth.

Pull out the depth stop until the distance between the tip of the drill bit and the tip of the depth stop correspond with the desired drilling depth **X**.

### Selecting Drill Chucks and Tools

For hammer drilling, SDS-plus tools are required that are inserted in the SDS-plus drill chuck.

For drilling without impact in wood, metal, ceramic and plastic as well as for screwdriving, tools without SDS-plus are used (e.g., drills with cylindrical shank). For these tools, a keyless chuck or a key type drill chuck are required.

### Changing the Key Type Drill Chuck

To work with tools without SDS-plus (e.g., drills with cylindrical shank), a suitable drill chuck must be mounted (key type drill chuck or keyless chuck, accessories).

#### Mounting the Key Type Drill Chuck (see figure C)

Screw the SDS-plus adapter shank **14** into a key type drill chuck **13**. Secure the key type drill chuck **13** with the securing screw **12**. **Please observe that the securing screw has a left-hand thread.**



### Inserting the Key Type Drill Chuck (see figure D)

Clean the shank end of the adapter shank and apply a light coat of grease.

Insert the key type drill chuck with the adapter shank into the tool holder with a turning motion until it automatically locks.

Check the locking effect by pulling the key type drill chuck.

### Removing the Key Type Drill Chuck

Push the locking sleeve **3** toward the rear and pull out the key type drill chuck **13**.

### Changing the Tool

The dust protection cap **2** largely prevents the entry of drilling dust into the tool holder during operation. When inserting the tool, take care that the dust protection cap **2** is not damaged.

► **A damaged dust protection cap should be changed immediately. We recommend having this carried out by an after-sales service.**

### Inserting SDS-plus Drilling Tools (see figure E)

The SDS-plus drill chuck allows for simple and convenient changing of drilling tools without the use of additional tools.

Clean and lightly grease the shank end of the tool.

Insert the tool in a twisting manner into the tool holder until it latches itself.

Check the latching by pulling the tool.

As a requirement of the system, the SDS-plus drilling tool can move freely. This causes a certain radial run-out at no-load, which has no effect on the accuracy of the drill hole, as the drill bit centres itself upon drilling.

### Removing SDS-plus Drilling Tools (see figure F)

Push back the locking sleeve **3** and remove the tool.

### Inserting Drilling Tools without SDS-plus

**Note:** Do not use tools without SDS-plus for hammer drilling! Tools without SDS-plus and their drill chucks are damaged by hammer drilling.

Insert a key type drill chuck **13** (see “Changing the Key Type Drill Chuck”, page 19).

Open the key type drill chuck **13** by turning until the tool can be inserted. Insert the tool.

Insert the chuck key into the corresponding holes of the key type drill chuck **13** and clamp the tool uniformly.

Set the selector switch **7** to the “Drilling” symbol.

### Removing Drilling Tools without SDS-plus

Turn the sleeve of the key type drill chuck **13** with the drill chuck key in anticlockwise direction until the drilling tool can be removed.

### Dust Extraction with the Dust Extraction Attachment (Accessory)

#### Mounting the Dust Extraction Attachment (see figure G)

For dust extraction, the dust extraction attachment (accessory) is required. When drilling, the dust extraction attachment retracts so that the attachment head is always close to the surface at the drill hole.

Press the button for depth stop adjustment **8** and remove the depth stop **11**. Press button **8** again and insert the dust extraction attachment into the auxiliary handle **10** from the front.

Connect an extraction hose (diameter 19 mm, accessory) to the extraction sleeve **15** of the dust extraction attachment.

The vacuum cleaner must be suitable for the material being worked.

When vacuuming dry dust that is especially detrimental to health or carcinogenic, use a special vacuum cleaner.

### Adjusting the Drilling Depth on the Dust Extraction Attachment (see figure H)

The required drilling depth **X** can also be adjusted when the dust extraction attachment is mounted.

Insert the SDS-plus drilling tool to the stop into the SDS-plus tool holder **1**. Otherwise, the movability of the SDS-plus drilling tool can lead to incorrect adjustment of the drilling depth.

Loosen the wing bolt **19** on the dust extraction attachment.

Without switching the power tool on, apply it firmly to the drilling location. The SDS-plus drilling tool must face against the surface.

Position the the guide pipe **20** of the dust extraction attachment in its holding fixture in such a manner that the head of the dust extraction attachment faces against the surface to be drilled. Do not slide the guide pipe **20** further over the telescopic pipe **18** of the dust extraction attachment than required, so that as much as possible of the scale **18** on the telescopic pipe remains visible.

Retighten the wing bolt **19** again. Loosen the clamping screw **16** on the depth stop of the dust extraction attachment.

Move the depth stop **17** on the telescopic pipe **18** in such a manner that the clearance **X** shown in the figure corresponds with the required drilling depth.

Tighten the clamping screw **16** in this position.

## Operation

### Starting Operation

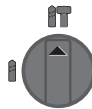
- **Observe correct mains voltage! The voltage of the power source must agree with the voltage specified on the nameplate of the machine. Power tools marked with 230 V can also be operated with 220 V.**

### Setting the Operating Mode

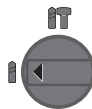
With the selector switch for drilling/hammer drilling **7**, the operating mode of the machine is selected.

**Note:** Change the operating mode only when the machine is switched off! Otherwise, the machine can be damaged.

To change the operating mode, turn the selector switch for “drilling/hammer drilling” **7** to the requested position.



Position for **hammer drilling** in concrete or stone



Position for **drilling** without impact in wood, metal, ceramic and plastic as well as for screwdriving

### Reversing the Rotational Direction (GBH 2-18 RE) (see figure I)

The rotational direction switch **6** is used to reverse the rotational direction of the machine. However, this is not possible with the On/Off switch **5** actuated.

↻ **Right rotation:** Push the rotational direction switch **6** rightward to the stop.

↻ **Left rotation:** Push the rotational direction switch **6** leftward to the stop.

For hammer drilling and drilling, always set the direction of rotation to right rotation.

### Switching On and Off

To **start** the machine, press the On/Off switch **5**.

To **lock** the On/Off switch, keep it pressed and additionally push the lock-on button **4**.

To **switch off** the machine, release the On/Off switch **5**. When the On/Off switch **5** is locked, press it first and then release it.

### Setting the Speed/Impact Rate

The speed/impact rate of the switched on power tool can be variably adjusted, depending on how far the On/Off switch **5** is pressed.

Light pressure on the On/Off switch **5** results in low speed/impact rate. Further pressure on the switch increases the speed/impact rate.

### Safety Clutch

- ▶ **If the tool insert becomes caught or jammed, the drive to the drill spindle is interrupted. Because of the forces that occur, always hold the power tool firmly with both hands and provide for a secure stance.**
- ▶ **If the power tool jams, switch the machine off and loosen the tool insert. When switching the machine on with the drilling tool jammed, high reaction torques can occur.**

### Working Advice

#### Inserting Screwdriver Bits (see figure J)

- ▶ **Apply the power tool to the screw/nut only when it is switched off.** Rotating tool inserts can slip off.

To work with screwdriver bits, a universal bit holder **21** with SDS-plus shank (accessory) is required. Clean the shank end of the adapter shank and apply a light coat of grease.

Insert the universal bit holder with a turning motion into the tool holder until it automatically locks.

Check the locking effect by pulling the universal bit holder.

Insert a screwdriver bit into the universal bit holder. Use only screwdriver bits that match the screw head.

To remove the universal bit holder, pull the locking sleeve **3** toward the rear and remove the universal bit holder **21** out of the tool holder.

## Maintenance and Service

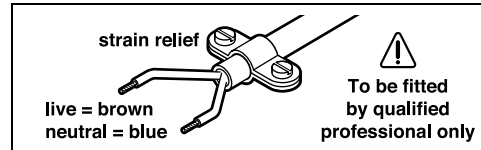
### Maintenance and Cleaning

- ▶ **Before any work on the machine itself, pull the mains plug.**
- ▶ **For safe and proper working, always keep the machine and ventilation slots clean.**
- ▶ **A damaged dust protection cap should be changed immediately. We recommend having this carried out by an after-sales service.**

Clean the tool holder **1** each time after using.

### WARNING! Important instructions for connecting a new 3-pin plug to the 2-wire cable.

The wires in the cable are coloured according to the following code:



Do **not** connect the blue or brown wire to the earth terminal of the plug.

**Important:** If for any reason the moulded plug is removed from the cable of this power tool, it must be disposed of safely.

If the machine should fail despite the care taken in manufacturing and testing procedures, repair should be carried out by an after-sales service centre for Bosch power tools.

In all correspondence and spare parts order, please always include the 10-digit article number given on the type plate of the machine.

### After-sales service and customer assistance

Our after-sales service responds to your questions concerning maintenance and repair of your product as well as spare parts. Exploded views and information on spare parts can also be found under:

**[www.bosch-pt.com](http://www.bosch-pt.com)**

Our customer consultants answer your questions concerning best buy, application and adjustment of products and accessories.

#### Great Britain

Robert Bosch Ltd. (B.S.C.)

P.O. Box 98

Broadwater Park

North Orbital Road

Denham

Uxbridge

UB 9 5HJ

Tel. Service: +44 (0844) 736 0109

Fax: +44 (0844) 736 0146

E-Mail: [SPT-Technical.de@de.bosch.com](mailto:SPT-Technical.de@de.bosch.com)

