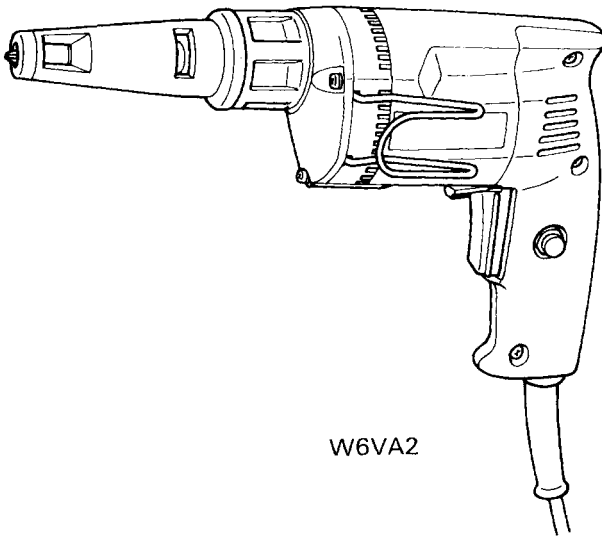




# HITACHI

## DRYWALL SCREW DRIVER MODEL W 6V2 • W 6VA2 INSTRUCTION MANUAL



W6VA2

**Note:**

Before using this Electric Power Tool, carefully read through this INSTRUCTION MANUAL to ensure efficient, safe operation. It is recommended that this MANUAL be kept readily available as an important reference when using this power tool.



DOUBLE INSULATION

We sincerely thank you for selecting a HITACHI ELECTRIC POWER TOOL. To operate this electric power tool safely and efficiently, please read this INSTRUCTION MANUAL carefully to get a good understanding of the precautions in operation, capacity of the electric power tool, use and the like.

## **IMPORTANT INFORMATION: SAFETY RULES FOR POWER TOOLS**

**WARNING:** When using electric tools, basic safety precautions should always be followed to reduce the risk of fire, electric shock, and personal injury, including the following:

### **READ ALL INSTRUCTIONS**

- 1. KEEP WORK AREA CLEAN.** Cluttered areas and benches invite injuries.
- 2. CONSIDER WORK AREA ENVIRONMENT.**
  - Don't expose power tools to rain.
  - Don't use power tools in damp or wet locations.
  - Keep work area well lit.
  - Don't use tool in presence of flammable liquids or gases.
  - Power tools produce sparks during operation. They also spark when switching ON/OFF. Never use power tools in dangerous sites containing lacquer, paint, benzine, thinner, gasoline, gases, adhesive agents, and other materials which are combustible or explosive.
- 3. GUARD AGAINST ELECTRIC SHOCK.** Prevent body contact with grounded surfaces. For example: pipes, radiators, ranges, refrigerator enclosures.
- 4. KEEP CHILDREN AWAY.** Do not let visitors contact tool or extension cord. All visitors should be kept away from work area.
- 5. STORE IDLE TOOLS.** When not in use, tools should be stored in dry, and high or locked-up place — out of reach of children.
- 6. DON'T FORCE TOOL.** It will do the job better and safer at the rate for which it was intended.
- 7. USE RIGHT TOOL.** Don't force small tool or attachment to do the job of a heavy-duty tool. Don't use tool for purpose not intended—for example—don't use circular saw for cutting tree limbs or logs.
- 8. DRESS PROPERLY.** Do not wear loose clothing or jewelry. They can be caught in moving parts.
  - Rubber gloves and non-skid footwear are recommended when working outdoors.
  - Wear protective hair covering to contain long hair.
- 9. USE SAFETY GLASSES.** Also use face or dust mask if cutting operation is dusty.
  - All persons in the area where power tools are being operated should also wear safety eye protectors and face or dust masks.
- 10. DON'T ABUSE CORD.**
  - Never carry tool by cord or yank it to disconnect from receptacle. Keep cord from heat, oil and sharp edges.
- 11. SECURE WORK.** Use clamps or a vise to hold work. It's safer than using your hand and it frees both hands to operate tool.
- 12. DON'T OVERREACH.** Keep proper footing and balance at all times.

- 13. MAINTAIN TOOLS WITH CARE.** Keep tools sharp and clean for better and safer performance.  
Follow instructions for lubricating and changing accessories.  
Inspect tool cords periodically and if damaged, have repaired by authorized service facility.  
Inspect extension cords periodically and replace if damaged.  
Keep handles dry, clean, and free from oil and grease.
- 14. DISCONNECT TOOLS.** When not in use, before servicing, and when changing accessories, such as blades, bits, cutters.
- 15. REMOVE ADJUSTING KEYS AND WRENCHES.** Form habit of checking to see that keys and adjusting wrenches are removed from tool before turning it on.
- 16. AVOID UNINTENTIONAL STARTING.** Don't carry plugged-in tool with finger on switch. Be sure switch is off when plugging in.
- 17. OUTDOOR USE EXTENSION CORDS.** When tool is used outdoors, use only extension cords intended for use outdoors and so marked.
- 18. STAY ALERT.** Watch what you are doing. Use common sense. Do not operate tool when you are tired.
- 19. CHECK DAMAGED PARTS.** Before further use of the tool, a guard or other part that is damaged should be carefully checked to determine that it will operate properly and perform its intended function. Check for alignment of moving parts, binding of moving parts, breakage of parts, mounting, and any other conditions that may affect its operation. A guard or other part that is damaged should be properly repaired or replaced by an authorized service center unless otherwise indicated elsewhere in this instruction manual.  
Have defective switches replaced by authorized service center.  
Do not use tool if switch does not turn it on and off.
- 20. AVOID USING A POWER TOOL FOR APPLICATIONS OTHER THAN THOSE SPECIFIED.** Never use a power tool for applications other than those specified in the instruction manual.
- 21. ENSURE SAFE OPERATION THROUGH CORRECT HANDLING.**  
Secure safe operation through correct handling by observing the instructions described herein.  
Do not employ accessories other than those specified herein; otherwise, a hazardous condition may be created.  
Never allow a power tool to be used by persons not familiar with correct handling (such as children) or by those who cannot handle the tool correctly.
- 22. CONFIRM THAT NO ITEMS SUCH AS AN ELECTRIC CABLE OR CONDUIT ARE BURIED INSIDE.** In places where live wiring may be hidden behind a wall, floor, ceiling, etc. do not hold or contact any metal parts of the tool. In such cases, metal parts could become electrically live and present a serious shock hazard.
- 23. KEEP THE RIGHT PARTS IN THE RIGHT POSITIONS.** Do not remove covers and screws which have been factory-mounted. They perform important respective roles. Keep them in the right positions.
- 24. SHOULD THE PLASTIC HOUSING OR HANDLE OF A POWER TOOL BE CRACKED OR DEFORMED, DO NOT USE IT.** Since cracked or deformed parts may lead to an operator receiving an electric shock, do not use such a power tool. Immediately have it repaired.

- 25. SECURELY MOUNT ACCESSORIES AND BLADES TO THE TOOL MAIN BODY.** Extra care must be taken when using tools on elevated location (such as a roof ladder, scaffold, or the like) to prevent injury to someone on a lower level in the event the tool and/or accessory should drop.
- 26. ALWAYS KEEP THE MOTOR AIR VENT FULLY OPENED.** A constantly open motor air vent is necessary to allow air to come in and out for cooling the motor. Do not allow it to become clogged up, even if dust is blown through it.
- 27. OPERATE POWER TOOLS AT THE RATED VOLTAGE.** Operate power tools at voltages specified on their nameplates.
- 28. NEVER TOUCH THE MOVING PARTS.** Never touch the moving parts such as blades, bits, cutters and others.
- 29. STOP OPERATION IMMEDIATELY IF ANY ABNORMALITY IS DETECTED.** Should a power tool be detected as out of order or should other abnormalities be observed during operation, stop using the tool immediately.
- 30. NEVER LEAVE TOOL RUNNING UNATTENDED. TURN POWER OFF.** Don't leave tool until it comes to a complete stop.
- 31. CAREFULLY HANDLE POWER TOOLS.** Should a power tool be dropped or struck against hard materials inadvertently, it may be deformed, cracked, or damaged.
- 32. DO NOT WIPE PLASTIC PARTS WITH SOLVENT.** Solvents such as gasoline, thinner, benzene, carbon tetrachloride, and alcohol may damage and crack plastic parts. Do not wipe them with such solvents. Wipe plastic parts with a soft cloth lightly dampened with soapy water.
- 33. WHEN REPLACING A COMPONENT PART, ADOPT THE SAME TYPE.** When replacing a component part with a new one, adopt the same type of new part. Also, never attempt to repair a power tool yourself.

## **34. SAVE THESE INSTRUCTIONS**

### **SERVICE AND REPAIRS**

All quality tools will eventually require servicing or replacement of parts due to wear from normal use. These operations should **ONLY** be performed by an **AUTHORIZED HITACHI POWER TOOL REPAIR SHOP.**

### **REPLACEMENT PARTS**

When servicing use only identical replacement parts.

## DOUBLE INSULATION SYSTEM ENHANCES SAFE OPERATION

To enhance safe operation of this electric power tool, HITACHI has adopted a double insulation system. The term "double insulation" used here denotes an insulation system with two insulations physically separated and arranged between the electrically conductive material connected to the power supply and the outer frame subject to contact by the operator.



DOUBLE INSULATION

Thus, the power tool is termed double insulated and both the "回" mark and "Double insulation", or either one is indicated on the name plate.

While no external grounding is required with this system, normal safety precautions as outlined in this manual must still be followed.

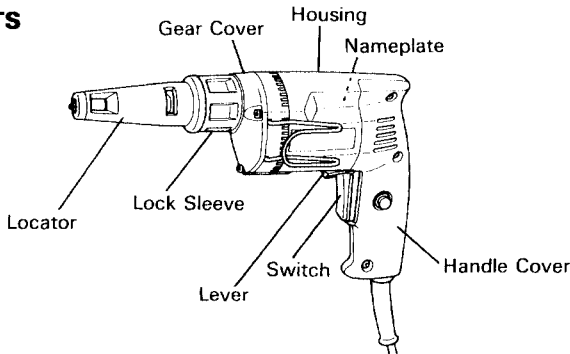
To maintain the effectiveness of the double insulation system, follow the precautions described below:

1. Always contact your dealer or an authorized HITACHI power tool repair shop when assembling, disassembling or replacing parts other than accessories or carbon brushes. Improper assembly and/or replacement with wrong parts may result in eliminating the double insulation-feature.
2. Clean the exterior of the tool with a soft cloth moistened with soapy water, and dry thoroughly. Chloric solvent, gasoline, and thinner will cause plastic components to dissolve.

## PRECAUTIONS ON USING DRYWALL SCREW DRIVER

1. Employ a driver bit appropriate for the screw diameter.
2. Apply the screw driver body perpendicularly to a screw head when driving a screw.

## NEME OF PARTS



## SPECIFICATIONS

Model	W6V2	W6VA2
Power Source	Single-Phase 115V AC 60 Hz	
Current	5.5A	
No-Load Speed	0~4000rpm	0~2600rpm
Capacities	Drywall screw : 3/16"	
	Self-drilling screw : 1/4"	
Bit Shank Size	1/4" Hex	
Weight	2.9 lbs	

## ACCESSORIES

### CAUTION:

Recommended accessories for this Electric Power Tool are mentioned in this manual. The use of any other attachment or accessory might be hazardous.

### STANDARD ACCESSORIES

- (1) No. 2 Plus Bit (Code No.971511Z) ..... 1 } These parts are not mounted on  
(2) Magnetic Bit Holder (Code No.982554Z) ..... 1 } the body. For mounting procedure,  
(3) Locator Assembly (Code No.982555Z) ..... 1 } refer to "PRIOR TO OPERATION".  
Standard accessories are subject to change without notice.

### OPTIONAL ACCESSORIES (sold separately)

- (1) No. 1 Plus Bit (Code No.985333)  
    No. 3 Plus Bit (Code No.971512Z)  
(2) No. 1 Plus Bit with Stepped Rod (Code No.985334)  
    No. 2 Plus Bit with Stepped Rod (Code No.985335)  
(3) Locator Assembly (B) (with Stainless bushing ) (Code No.982568Z)  
(4) Non-magnetic Bit Holder (Code No.982563Z)  
(5) Steel Carrying Case (Code No.982569Z)

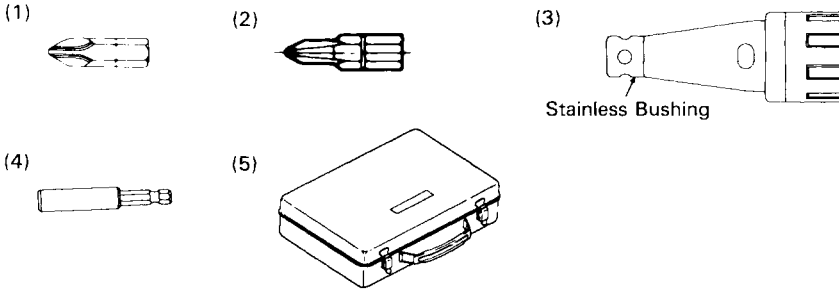


Fig. 1

Optional accessories are subject to change without notice.

### APPLICATION

- Tightening drywall screws and Self-drilling screws.

### CAUTION:

For tightening the Self-drilling screws, locator assembly (B) and non-magnetic bit holder sold separately are recommended.

## PRIOR TO OPERATION

### 1. Power source:

Ensure that the power source to be utilized conforms to the power requirements specified on the product nameplate.

### 2. Power switch:

Ensure that the power switch is in the OFF position. If the plug is connected to a power receptacle while the power switch is in the ON position, the power tool will start operating immediately, inviting serious accident.

### 3. Extension cord:

When the work area is removed from the power source, use an extension cord of sufficient thickness and rated capacity. The extension cord should be kept as short as practicable.

#### CAUTION:

Damaged cord must be replaced or repaired.

### 4. Confirming condition of the environment:

Confirm that the work site is placed under appropriate conditions conforming to prescribed precautions.

### 5. Confirming the power receptacle:

If the power receptacle only loosely accepts the plug, the receptacle must be repaired.

Contact the nearest electric store for repair service.

If such a faulty receptacle is used, it may cause overheating, resulting in a serious hazard.

### 6. Mounting the standard accessories:

#### (1) Magnetic bit holder

Fully insert the magnetic bit holder into the hexagonal hole of the socket.

#### (2) Locator ass'y

Before mounting the locator on the body hold and turn it about 0.2" to the left or right pulling the lock sleeve completely to the locator side. The claw of the locator is engaged with the groove cut in internal circumference of the lock sleeve, and the lock sleeve is locked with the locator even if the lock sleeve is released from hand. In this condition, hold the locator and mount it to the thread in the gear cover turning it to the right.

### 7. Confirm the direction of bit rotation (Fig.2)

The bit rotates clockwise (viewed from the rear side) by pushing the R-side of the lever.

The L-side of the lever is pushed to turn screws counterclockwise, to loosen them.

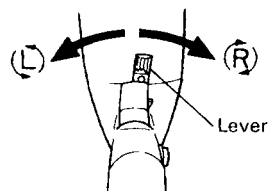


Fig. 2

## CAUTION:

Never change the bit rotating direction while operating the Screw Driver. Turn the main switch off before changing the rotating direction, otherwise, burning of the motor will result.

### 8. Adjusting the tightening depth (Fig.3)

Pull the lock sleeve in the direction of arrow to remove it from the spline installed in the gear cover.

While pulling the lock sleeve and turning it right and left, adjust the position of locator. Release the lock sleeve and align the gear cover spline with the lock sleeve spline.

The lock sleeve is automatically inserted onto the gear cover spline and locked.

#### (1) For drywall screws (Fig.4)

Mount a drywall screw on the bit, and set the distance between the Locator end and screw head to 0.08"~0.1".

#### (2) For plus-head Self-drilling screws (Fig.5)

Mount a Self-drilling screw on the bit, and set the distance between the Locator end and the screw-head bottom to 0.1"~0.14".

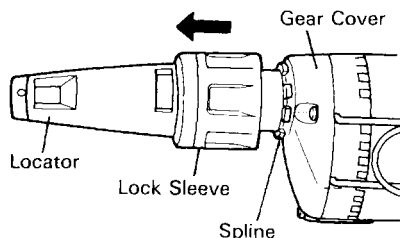


Fig. 3

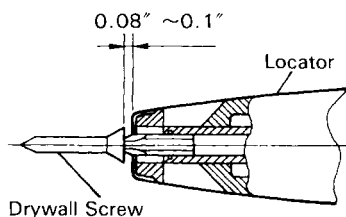


Fig. 4

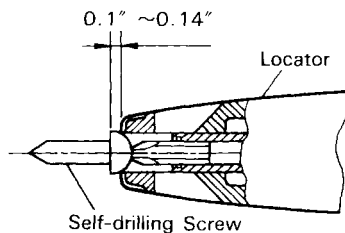


Fig. 5

## HOW TO USE THE SCREW DRIVER

### 1. Operation of switch and adjustment of rotation

The rotational speed can be adjusted between 0 ~ 4,000rpm (W6V2), 0 ~ 2,600rpm (W6VA2) depending on the degree the switch trigger is pulled.

The rotation is increased as the trigger is pulled further and 4,000rpm (W6V2), 2,600rpm (W6VA2) is attained when the trigger is pulled fully.

Switch can be kept turned with the finger removed by pushing the switch stopper after pulling the switch trigger fully. This is convenient for continuous operation. Pull the switch trigger again then release so that switch stopper is released and switch is turned off.

### 2. Operating the screw driver

When triggering the main switch, the motor starts to run, although the bit does not rotate. It rotates by attaching the bit to the groove of screw head and push the screw driver against the screw, tightening the screw.



## CAUTION:

Apply the screw driver perpendicularly to a screw head when driving a screw, otherwise, the screw head or bit will be damaged, or driving force will not be fully transferred to the screw. When releasing the pushing force, bit rotation stops.

### 3. Direction of bit rotation

The bit rotates clockwise (viewed from the rear side) by pushing the R-side of the lever.

The L-side of the lever is pushed to turn screws counterclockwise, to loosen them.

## CAUTION:

Never change the direction of bit rotation while operating. Turn the power switch OFF before changing the direction of bit rotation, otherwise, burning of the motor will result.

### 4. Tightening Self-drilling screw

When the supplied magnet bit holder is used to tighten the Self-drilling screw into a steel plate, cut material stuck in the magnet bit will degrade the work efficiency.

To prevent this, the non-magnetic bit holder (optional accessory) is recommended. The stainless locator with bushing (optional accessory) will prevent the bushing from being worn.

## MOUNTING AND DISMOUNTING THE BIT

### CAUTION:

Be sure to switch power OFF and disconnect the plug from power receptacle to avoid serious trouble.

#### 1. Dismounting the bit (Fig.6, Fig.7)

- (1) Hold the locator without turning it and fully pull the lock sleeve in the direction of arrow ①. Turn the lock sleeve about 0.2" clockwise or counterclockwise. The claw of the locator is engaged with the groove cut in internal circumference of the lock sleeve. The lock sleeve is now locked to the locator. Though the lock sleeve is not held, it does not return to the gear cover. Turn the locator in the direction of arrow ② and remove the locator ass'y.
- (2) Remove the bit holder, hold the bit holder with the opposite side of bit with hand or vise and pull out the bit with a pliers.

#### 2. Mounting the bit

Install the bit in the reverse order to removal.

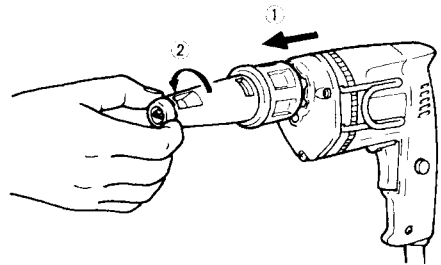


Fig.6

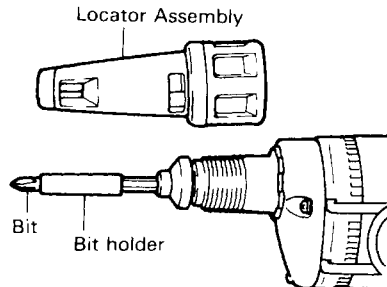


Fig.7

## **MAINTENANCE AND INSPECTION**

### **CAUTION:**

Be sure to switch power OFF and disconnect the plug during maintenance and inspection.

#### **1. Inspecting the bit**

Since use of a worn bit, the screw head will be damaged, replace the bit with a new one.

#### **2. Inspecting tightness of various screws**

Periodically inspect each screw tightness of individual components. If any screws are loosened, securely retighten them. Loosened screws, if unheeded, may cause a hazardous situation.

#### **3. Cleaning the unit exterior**

Wipe off oil and stain on the unit exterior with a dried rag or a rag moistened with soapy water.

#### **4. Inspecting the carbon brushes**

For your continued safety and electrical protection, carbon brush inspection and replacement on this tool should ONLY be performed by an AUTHORIZED HITACHI POWER TOOL REPAIR SHOP.

### **NOTE:**

Due to HITACHI's continuing program of research and development, the specifications herein are subject to change without prior notice.

# W6VA2

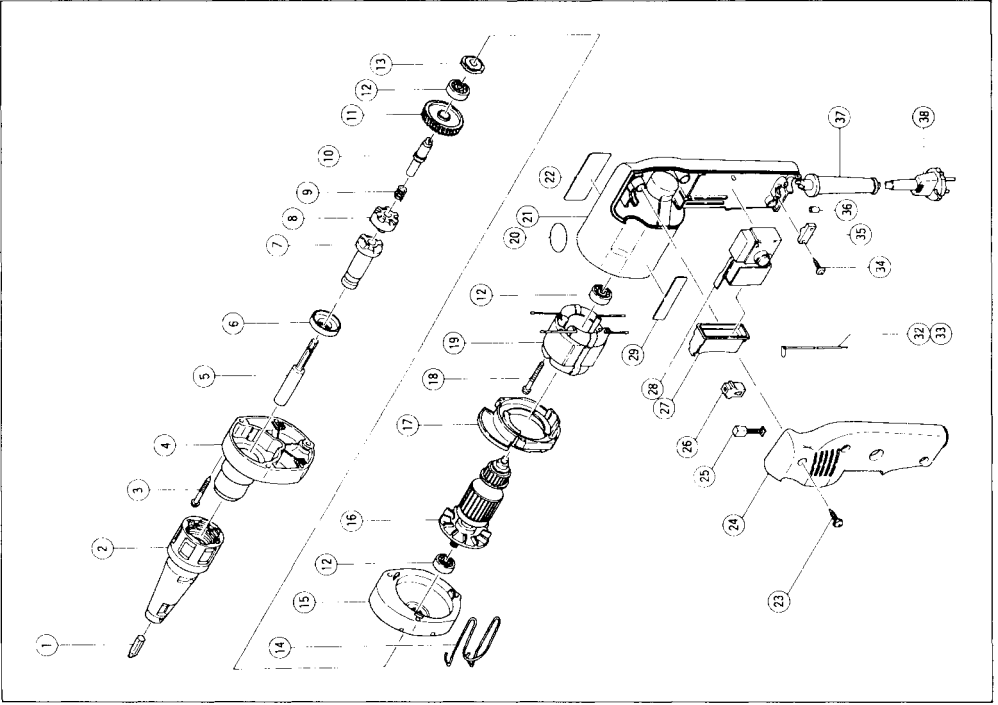
Parts are subject to possible modification without notice due to improvements.

The drawing and the list are parts structural drawing and parts list of model W6VA2.

For model W6V2 refer to the drawing and the list.

# W6VA2

Item No.	Part Name
1	Driver Bit (A) No.2 25L
2	Locator (A)
3	Tapping Screw (W/ Flange)D4 × 35
4	Gear Cover
5	Magnetic Bit Holder
6	Fringer (A)
7	Socket
8	Clutch Disc
9	Spring
10	Gear Shaft
11	Gear (B)
12	Ball Bearing (60BVVMC2EPS2L)
13	Washer (A)
14	Hook
15	Inner Cover
16	Armature
17	Fan Guide
18	Tapping Screw (W/ Sp. Washer) D4 × 50
19	Stator
20	Housing
21	Name Plate
22	Tapping Screw (W/ Flange)D4 × 20
23	Handle Cover
24	Carbon Brush
25	Brush Holder
26	Switch Rubber Cover
27	Switch
28	HITACHI Label
29	Internal Wire Choke Coil
30	Internal Wire Choke Coil
31	Tapping Screw (W/ Flange)D4 × 16
32	Cord Clip
33	Tube (D)
34	Cord Armor
35	Cord
36	
37	
38	



# **Hitachi Koki Co.,Ltd.**

Nippon Bldg., 6-2, Ohtemachi 2-chome,  
Chiyoda-Ku, Tokyo 100, Japan

102

Code No. C99044862 N  
Printed in Japan