

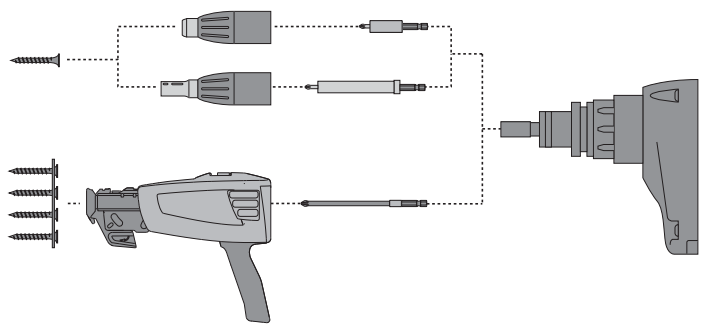
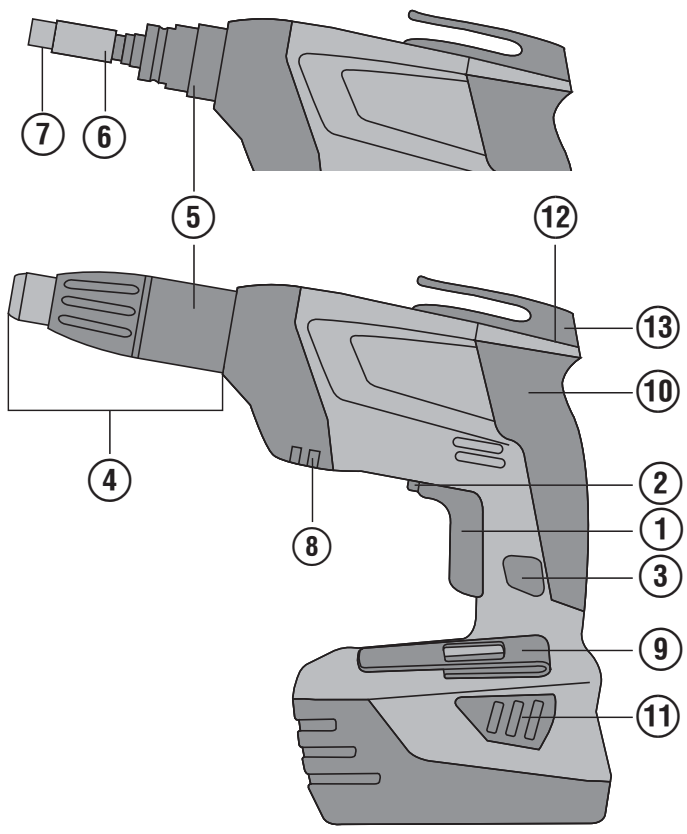
HILTI

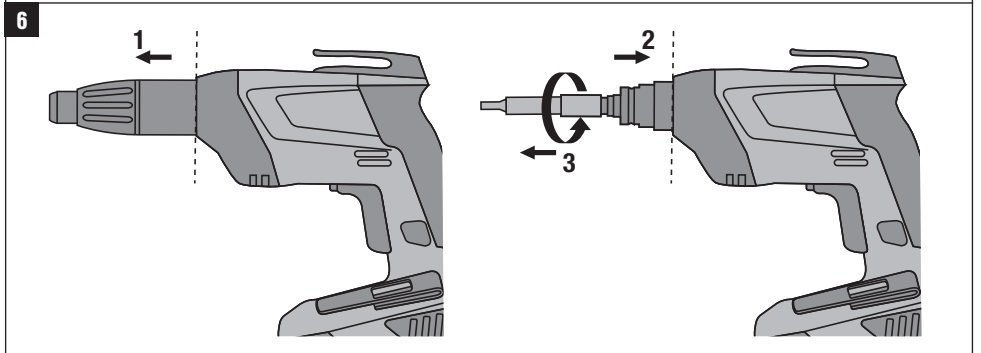
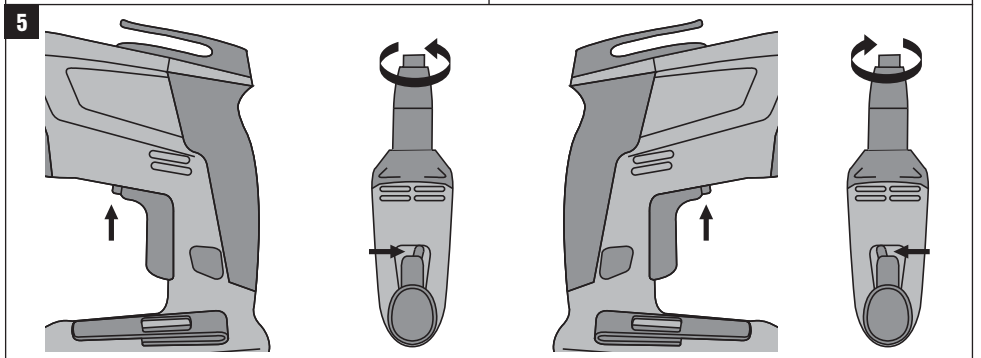
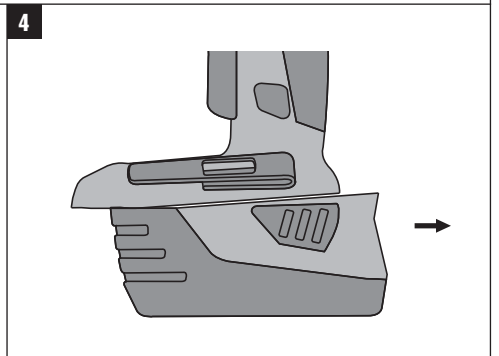
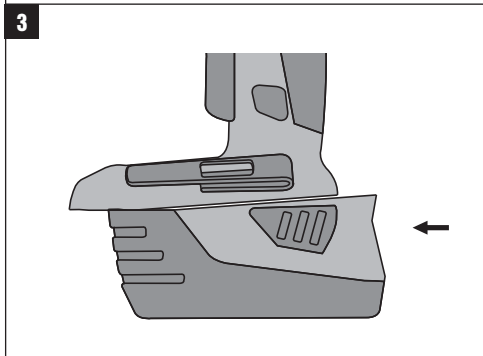
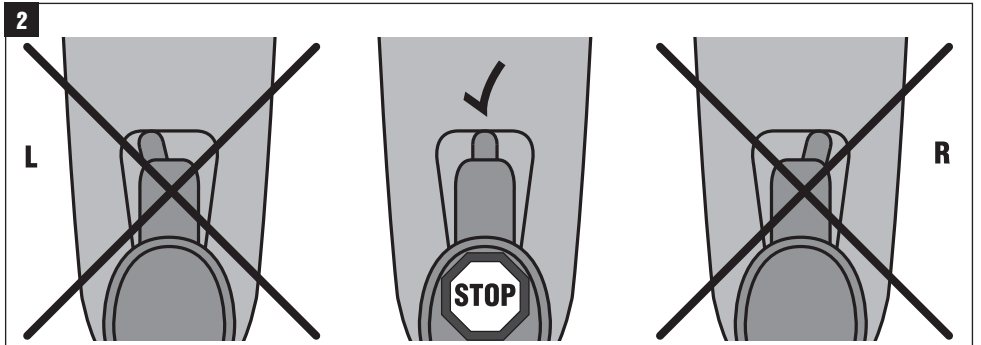
SD 5000-A22



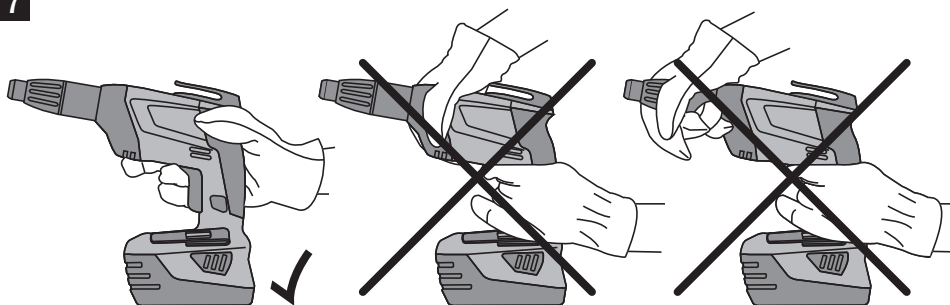
Bedienungsanleitung	de
Operating instructions	en
Mode d'emploi	fr
Istruzioni d'uso	it
Manual de instrucciones	es
Manual de instruções	pt
Gebbruksaanwijzing	nl
Brugsanvisning	da
Bruksanvisning	sv
Bruksanvisning	no
Käyttöohje	fi
Οδηγίες χρήσεως	el
Használati utasítás	hu
Instrukcja obsługi	pl
Инструкция по эксплуатации	ru
Návod k obsluze	cs
Návod na obsluhu	sk
Upute za uporabu	hr
Navodila za uporabo	sl
Ръководство за обслужване	bg
Instrucțiuni de utilizare	ro
Kullanma Talimatı	tr
دليل الاستعمال	ar
Lietošanas pamācība	lv
Instrukcija	lt
Kasutusjuhend	et
取扱説明書	ja
사용설명서	ko



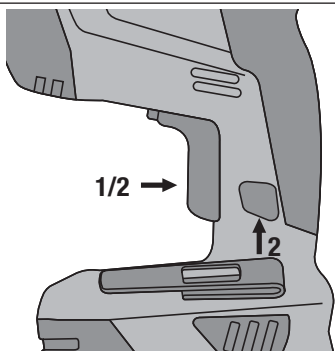




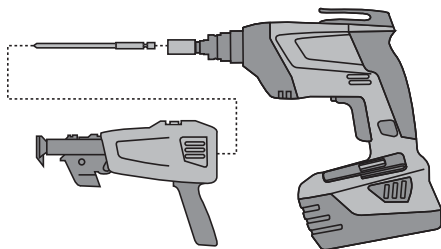
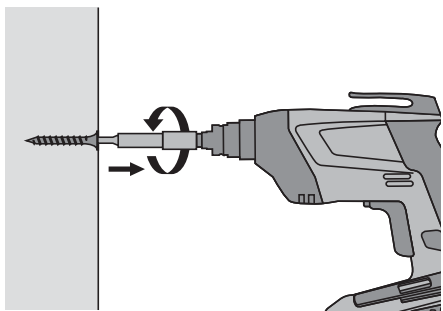
7



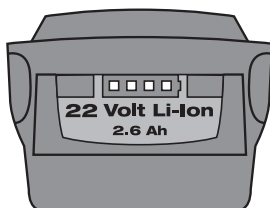
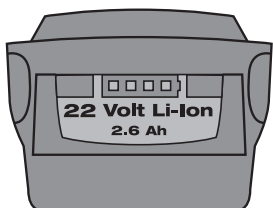
8



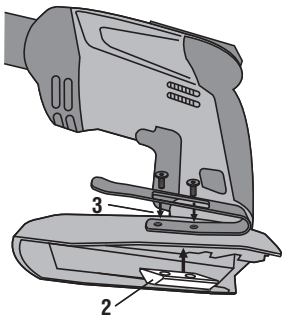
9



10



11



ORIGINAL OPERATING INSTRUCTIONS

SD 5000-A22 drywall screwdriver

en

It is essential that the operating instructions are read before the power tool is operated for the first time.

Always keep these operating instructions together with the power tool.

Ensure that the operating instructions are with the power tool when it is given to other persons.

Contents	Page
1 General information	14
2 Description	15
3 Insert tools, accessories	16
4 Technical data	17
5 Spare parts	18
6 Safety instructions	18
7 Before use	20
8 Operation	21
9 Care and maintenance	23
10 Troubleshooting	23
11 Disposal	24
12 Manufacturer's warranty - tools	25
13 EC declaration of conformity (original)	25

1 These numbers refer to the corresponding illustrations. The illustrations can be found on the fold-out cover pages. Keep these pages open while studying the operating instructions.

In these operating instructions, the designation "power tool" always refers to the SD 5000-A22 drywall screwdriver.

Parts, operating controls and indicators 1

- 1 Control switch (with electronic speed control)
- 2 Forward / reverse switch
- 3 Lockbutton for sustained operation
- 4 Depth gauge
- 5 Power tool / accessory interface (click connection)
- 6 Chuck (bit holder)
- 7 Bit holder
- 8 Air exit
- 9 Belt hook
- 10 Grip
- 11 Battery release buttons
- 12 Motor cooling air intake
- 13 Universal hook

1 General information

1.1 Safety notices and their meaning

DANGER

Draws attention to imminent danger that will lead to serious bodily injury or fatality.

WARNING

Draws attention to a potentially dangerous situation that could lead to serious personal injury or fatality.

CAUTION

Draws attention to a potentially dangerous situation that could lead to slight personal injury or damage to the equipment or other property.

NOTE

Draws attention to an instruction or other useful information.

1.2 Explanation of the pictograms and other information

Warning signs



General warning



Warning: electricity



Warning: caustic substances

Obligation signs



Wear eye protection



Wear protective gloves

Symbols



Read the operating instructions before use



Return waste material for recycling.



Volts



Direct current



Rated speed under no load



Revolutions per minute



Diameter

Location of identification data on the power tool

The type designation and serial number can be found on the type identification plate on the machine or tool. Make a note of this data in your operating instructions and always refer to it when making an enquiry to your Hilti representative or service department.

Type: _____

Generation: 01 _____

Serial no.: _____

en

2 Description

2.1 Use of the product as directed

The SD 5000-A22 is a hand-held cordless drywall screwdriver with automatic clutch.

Drywall screws with a length of up to 55 mm and a diameter of up to 4.2 mm can be used.

Do not use other types of screws intended for heavy-duty applications.

For optimum handling, we recommend that the power tool is gripped in line with the motor.

The motor cooling air is drawn in through the ventilation slots and blown out of the tool through the air exit.

The power tool is suitable for use by right or left-handed persons.

An ergonomically designed grip with synthetic rubber covering provides a comfortable, secure hold and makes the power tool less tiring to use.

The power tool is designed for professional use and may be operated, serviced and maintained only by trained, authorized personnel. This personnel must be informed of any special hazards that may be encountered. The power tool and its ancillary equipment may present hazards when used incorrectly by untrained personnel or when used not as directed.

Observe the information printed in the operating instructions concerning operation, care and maintenance.

To avoid the risk of injury, use only genuine Hilti accessories and insert tools.

Do not use the battery as a power source for other unspecified appliances.

Working on materials hazardous to the health (e.g. asbestos) is not permissible.

Nationally applicable industrial safety regulations must be observed.

Do not use the power tool where there is a risk of fire or explosion.

Modification of the power tool or tampering with its parts is not permissible.

The working environment may be as follows: construction site, workshop, renovation, conversion or new construction.

2.2 Main applications

Application	Screw type
Fastening drywall board to metal framing ≤ 0.88 mm	Drywall screw with needle point, type S-DS01
Fastening drywall board to metal framing ≤ 2.25 mm	Drywall screw with drill point, type S-DD01
Fastening metal framing to metal framing (max. fastenable thickness 2.5 mm)	Drywall screws with drill point, types S-DD02, S-DD03 and S-DD08
Fastening drywall board to wood	Drywall screw with needle point, type S-DS03
Fastening drywall board to metal (≤ 0.88 mm) and wood framing	Drywall screws with needle point, types S-DS14 and S-DS10

NOTE

The power tool can also be used together with the SMD 57 magazine and the appropriate collated screws for the applications listed above. Please observe the operating instructions for the applicable drywall screw magazine.

2.3 Chuck

¼" bit holder

2.4 Switches

Control switch for smooth speed control

Lockbutton for sustained operation

Forward / reverse switch

2.5 Lubrication

Grease lubrication

2.6 Grips

Vibration-absorbing grip (in-line grip)

2.7 The items supplied include (toolbox versions):

- 1 Power tool
- 1 Depth gauge
- 1 Bit
- 1 Bit holder
- 2 B 22/2.6 Li-Ion battery
- 1 Charger for Li-ion batteries
- 2 Operating instructions

2.8 The items supplied include (cardboard box versions):

- 1 Power tool
- 1 Depth gauge
- 1 Bit
- 1 Bit holder
- 1 Operating instructions

2.9 Li-ion battery charge status

LEDs light constantly	LEDs blink	Charge status C
LED 1,2,3,4	-	$C \geq 75 \%$
LED 1,2,3	-	$50 \% \leq C < 75 \%$
LED 1,2	-	$25 \% \leq C < 50 \%$
LED 1	-	$10 \% \leq C < 25 \%$
-	LED 1	$C < 10 \%$

3 Insert tools, accessories

Designation	Short designation	Description
Depth gauge		S-DG-D 11x75 for 75 mm bit holder
Bit holder		S-BH 75M
Magazine		SMD 57
Extension		SME extension for working on ceilings
Charger for Li-ion batteries	C 4/36	

Designation	Short designation	Description
Charger for Li-ion batteries	C 4/36-ACS	
Charger for Li-ion batteries	C 4/36-ACS TPS	
Charger for Li-ion batteries	C 4/36-90	
Charger for Li-ion batteries	C 4/36-350	
Battery	B 22/3.3 Li-Ion	
Battery	B 22/2.6 Li-Ion	
Battery	B 22/1.6 Li-Ion	
Hilti toolbox		

Designation	Description
Bit	S-B PH2

4 Technical data

Right of technical changes reserved.

Power tool	SD 5000-A22
Rated voltage	21.6 V
Weight in accordance with EPTA procedure 01/2003	2.1 kg
Dimensions (L x W x H)	253 mm x 99 mm x 235 mm
Rated speed under no load	0...5,000/min
Max. torque	9.5 Nm
Chuck	Hex. socket 1/4"

NOTE

The vibration emission level given in this information sheet has been measured in accordance with a standardised test given in EN 60745 and may be used to compare one tool with another. It may be used for a preliminary assessment of exposure. The declared vibration emission level represents the main applications of the tool. However if the tool is used for different applications, with different accessories or poorly maintained, the vibration emission may differ. This may significantly increase the exposure level over the total working period. An estimation of the level of exposure to vibration should also take into account the times when the tool is switched off or when it is running but not actually doing the job. This may significantly reduce the exposure level over the total working period. Identify additional safety measures to protect the operator from the effects of vibration such as: maintain the tool and the accessories, keep the hands warm, organisation of work patterns.

Noise and vibration information (measured in accordance with EN 60745-2-2):

Typical A-weighted sound power level	82 dB (A)
Typical A-weighted emission sound pressure level	71 dB (A)
Uncertainty for the given sound level	3 dB (A)

Triaxial vibration values (vibration vector sum)

Screwdriving without impact action, a_h	1 m/s ²
Uncertainty (K)	1.5 m/s ²

Battery	B 22/3.3 Li-Ion	B 22/2.6 Li-Ion	B 22/1.6 Li-Ion
Rated voltage	21.6 V	21.6 V	21.6 V
Capacity	3.3 Ah	2.6 Ah	1.6 Ah

Battery	B 22/3.3 Li-Ion	B 22/2.6 Li-Ion	B 22/1.6 Li-Ion
Energy content	71.28 Wh	56.16 Wh	34.56 Wh
Weight	0.78 kg	0.78 kg	0.48 kg
Temperature monitoring	Yes	Yes	Yes
Type of cell	Li-Ion	Li-Ion	Li-Ion
No. of cells	12	12	6


5 Spare parts

Spare parts

Designation	Short designation	Item number
Depth gauge	S-DG-D 11 x 50	406292
Bit holder	S-BH 50M	257257
SD 5000-A22 belt hook		406293
SD 5000-A22 universal hook		406294

6 Safety instructions

6.1 General power tool safety warnings

- a)  **WARNING**
Read all safety warnings and all instructions. Failure to follow the warnings and instructions may result in electric shock, fire and/or serious injury. **Save all warnings and instructions for future reference.** The term "power tool" in the warnings refers to your mains-operated (corded) power tool or battery-operated (cordless) power tool.

6.1.1 Work area safety

- a) **Keep work area clean and well lit.** Cluttered or dark areas invite accidents.
- b) **Do not operate power tools in explosive atmospheres, such as in the presence of flammable liquids, gases or dust.** Power tools create sparks which may ignite the dust or fumes.
- c) **Keep children and bystanders away while operating a power tool.** Distractions can cause you to lose control.

6.1.2 Electrical safety

- a) **Power tool plugs must match the outlet. Never modify the plug in any way. Do not use any adapter plugs with earthed (grounded) power tools.** Unmodified plugs and matching outlets will reduce risk of electric shock.
- b) **Avoid body contact with earthed or grounded surfaces, such as pipes, radiators, ranges and refrigerators.** There is an increased risk of electric shock if your body is earthed or grounded.
- c) **Do not expose power tools to rain or wet conditions.** Water entering a power tool will increase the risk of electric shock.

- d) **Do not abuse the cord. Never use the cord for carrying, pulling or unplugging the power tool. Keep cord away from heat, oil, sharp edges or moving parts.** Damaged or entangled cords increase the risk of electric shock.
- e) **When operating a power tool outdoors, use an extension cord suitable for outdoor use.** Use of a cord suitable for outdoor use reduces the risk of electric shock.
- f) **If operating a power tool in a damp location is unavoidable, use a residual current device (RCD) protected supply.** Use of an RCD reduces the risk of electric shock.

6.1.3 Personal safety

- a) **Stay alert, watch what you are doing and use common sense when operating a power tool. Do not use a power tool while you are tired or under the influence of drugs, alcohol or medication.** A moment of inattention while operating power tools may result in serious personal injury.
- b) **Use personal protective equipment. Always wear eye protection.** Protective equipment such as dust mask, non-skid safety shoes, hard hat, or hearing protection used for appropriate conditions will reduce personal injuries.
- c) **Prevent unintentional starting. Ensure the switch is in the off-position before connecting to power source and/or battery pack, picking up or carrying the tool.** Carrying power tools with your finger on the switch or energising power tools that have the switch on invites accidents.
- d) **Remove any adjusting key or wrench before turning the power tool on.** A wrench or a key left attached to a rotating part of the power tool may result in personal injury.

- e) **Do not overreach. Keep proper footing and balance at all times.** This enables better control of the power tool in unexpected situations.
- f) **Dress properly. Do not wear loose clothing or jewellery. Keep your hair, clothing and gloves away from moving parts.** Loose clothes, jewellery or long hair can be caught in moving parts.
- g) **If devices are provided for the connection of dust extraction and collection facilities, ensure these are connected and properly used.** Use of dust collection can reduce dust-related hazards.

6.1.4 Power tool use and care

- a) **Do not force the power tool. Use the correct power tool for your application.** The correct power tool will do the job better and safer at the rate for which it was designed.
- b) **Do not use the power tool if the switch does not turn it on and off.** Any power tool that cannot be controlled with the switch is dangerous and must be repaired.
- c) **Disconnect the plug from the power source and/or the battery pack from the power tool before making any adjustments, changing accessories, or storing power tools.** Such preventive safety measures reduce the risk of starting the power tool accidentally.
- d) **Store idle power tools out of the reach of children and do not allow persons unfamiliar with the power tool or these instructions to operate the power tool.** Power tools are dangerous in the hands of untrained users.
- e) **Maintain power tools. Check for misalignment or binding of moving parts, breakage of parts and any other condition that may affect the power tool's operation. If damaged, have the power tool repaired before use.** Many accidents are caused by poorly maintained power tools.
- f) **Keep cutting tools sharp and clean.** Properly maintained cutting tools with sharp cutting edges are less likely to bind and are easier to control.
- g) **Use the power tool, accessories and tool bits etc. in accordance with these instructions, taking into account the working conditions and the work to be performed.** Use of the power tool for operations different from those intended could result in a hazardous situation.

6.1.5 Battery tool use and care

- a) **Recharge only with the charger specified by the manufacturer.** A charger that is suitable for one type of battery pack may create a risk of fire when used with another battery pack.
- b) **Use power tools only with specifically designated battery packs.** Use of any other battery packs may create a risk of injury and fire.
- c) **When battery pack is not in use, keep it away from other metal objects, like paper clips, coins, keys, nails, screws or other small metal objects, that can make a connection from one terminal to another.** Shorting the battery terminals together may cause burns or a fire.

- d) **Under abusive conditions, liquid may be ejected from the battery; avoid contact. If contact accidentally occurs, flush with water. If liquid contacts eyes, additionally seek medical help.** Liquid ejected from the battery may cause irritation or burns.

6.1.6 Service

- a) **Have your power tool serviced by a qualified repair person using only identical replacement parts.** This will ensure that the safety of the power tool is maintained.

6.2 Additional safety rules

6.2.1 Personal safety

- a) **Hold power tool by insulated gripping surfaces, when performing an operation where the fastener may contact hidden wiring.** Fasteners contacting a "live" wire may make exposed metal parts of the power tool "live" and could give the operator an electric shock.
- b) **It is recommended that ear protectors are worn.** Exposure to noise can cause hearing loss.
- c) **Keep the power tool, especially its grip surfaces, clean and free from oil and grease. Do not use cleaning agents which contain silicone.**
- d) **Improve the blood circulation in your fingers by relaxing your hands and exercising your fingers during breaks between working.**
- e) **Avoid touching rotating parts. Switch the power tool on only after bringing it into position at the workpiece.** Touching rotating parts, especially rotating insert tools, may lead to injury.
- f) **Activate the safety lock (forward / reverse switch in the middle position) before storing or transporting the power tool.**
- g) **Use the right power tool for the job. Do not use the power tool for purposes for which it was not intended. Use it only as directed and when in faultless condition.**
- h) **Avoid unintentional starting. Never carry the power tool with your finger on the on/off switch. Remove the battery from the power tool during work breaks, before carrying out maintenance, before changing cutting tools and before transporting the power tool.**
- i) **Check that the belt hook is fitted securely before beginning work.**
- j) **Do not carry the tool by the depth gauge.** The depth gauge may pull off unexpectedly.
- k) **Children must be instructed not to play with the power tool.**
- l) **The power tool is not intended for use by children, by debilitated persons or those who have received no instruction or training.**
- m) **Dust from material such as paint containing lead, some wood species, minerals and metal may be harmful. Contact with or inhalation of the dust may cause allergic reactions and/or respiratory diseases to the operator or bystanders. Certain kinds of dust are classified as carcinogenic such as oak and beech dust especially in conjunction with additives for wood**

conditioning (chromate, wood preservative). Material containing asbestos must only be treated by specialists. **Where the use of a dust extraction device is possible it shall be used. To achieve a high level of dust collection, use a suitable vacuum cleaner of the type recommended by Hilti for wood dust and/or mineral dust together with this tool. Ensure that the workplace is well ventilated. The use of a dust mask of filter class P2 is recommended. Follow national requirements for the materials you want to work with.**

- n) Check that the power tool is placed in a secure position when it is laid down, especially when used with the magazine and / or extension.

6.2.2 Power tool use and care

Check that the insert tools used are compatible with the chuck system and that they are secured in the chuck correctly.

6.2.3 Electrical safety



Before beginning work, check the working area (e.g. using a metal detector) to ensure that no concealed electric cables or gas and water pipes are present. External metal parts of the power tool may become live, for example, when an electric cable is damaged accidentally. This presents a serious risk of electric shock.

6.2.4 Battery tool use and care

- a) **Do not expose batteries to high temperatures or fire.** This presents a risk of explosion.
 b) **Do not disassemble, squash or incinerate batteries and do not subject them to temperatures over**

- 80°C.** A risk of fire, explosion or injury through contact with caustic substances may otherwise result.
- c) **Do not use batteries other than those approved for use with the applicable power tool or appliance.** Use of other batteries or use of the battery for purposes for which it is not intended presents a risk of fire and explosion.
- d) **Observe the special instructions applicable to the transport, storage and use of Li-ion batteries.**
- e) **Avoid short-circuiting the battery. Check that the terminals on the battery and in the power tool are free from foreign objects before inserting the battery in the power tool.** Short circuiting the battery terminals presents a risk of fire, explosion and chemical burns.
- f) **Do not charge or continue to use damaged batteries (e.g. batteries with cracks, broken parts, bent or pushed-in and/or pulled-out contacts).**
- g) **If the battery gets too hot to touch, this may indicate that it is faulty. Place the tool in a location where it can be kept under observation, well away from flammable materials, and allow it to cool down. Contact Hilti Service after the battery has been allowed to cool.**

6.2.5 Work area

Ensure that the workplace is well ventilated. Exposure to dust at a poorly ventilated workplace may result in damage to the health.

6.2.6 Personal protective equipment



The user and any other persons in the vicinity must wear suitable eye protection, a hard hat, protective gloves and breathing protection while the power tool is in use.

7 Before use



7.1 Battery use and care

NOTE

Battery performance drops at low temperatures. Never use the battery until the cells become fully discharged. Change to the second battery as soon as a drop in performance is noticed. Recharge the battery immediately so that it is ready for reuse.

Store the battery in a cool, dry place. Never store the battery where it is exposed to direct sunlight or sources of heat, e.g. on heaters / radiators or behind a motor vehicle windscreen. Batteries that have reached the end

of their life must be disposed of safely and correctly to avoid environmental pollution.

7.2 Charging the battery



DANGER

Use only the Hilti batteries and Hilti chargers listed under "Accessories".

7.2.1 Charging a new battery for the first time

A new battery must be charged correctly for the first time before use. This will ensure that the cells form correctly.

Incorrect initial charging may have a permanent, negative effect on battery capacity. Please refer to the applicable battery charger's operating instructions for information about initial charging.

7.2.2 Charging a previously used battery

Ensure that the outer surfaces of the battery are clean and dry before inserting it in the corresponding charger. Read the operating instructions for the charger for further information about the charging procedure.

Li-ion batteries are ready for use at any time, even when only partly charged. Charging progress is indicated by the LED display (see charger operating instructions).

7.3 Fitting the battery 2 3

CAUTION

Before fitting the battery, check that the power tool is switched off and that the safety lock is engaged (forward/reverse switch in the middle position). Use only the Hilti batteries approved for use with this power tool.

CAUTION

Check that the terminals on the battery and in the power tool are free from foreign objects before inserting the battery in the power tool.

1. Push the battery into the power tool from the rear as far as it will go and until it is heard to engage with a double click.
2. **CAUTION A falling battery may present a risk of injury to yourself or others.**
Check that the battery is seated securely in the power tool.

7.4 Removing the battery 4

1. Press both battery release buttons.
2. Pull the battery out of the power tool toward the rear.

7.5 Transport and storage of battery packs

Pull the battery pack out of the locked position (working position) and move it into the first click-stop position (transport position).

If you disconnect a battery pack from the power tool for transport or storage, make sure that the contacts of the battery pack are not short-circuited. Remove loose metal parts such as screws, nails, clamps, loose screw bits, wires or metal swarf from the case, toolbox or transport container, or prevent these parts from coming into contact with the battery packs.

Observe national and international transport regulations when shipping battery packs (transportation by road, rail, sea or air).

8 Operation



CAUTION

Wear protective gloves when changing insert tools as the insert tools get hot during use.

CAUTION

Working on the material may cause it to splinter. **Wear eye protection and protective gloves. Wear breathing protection if no dust removal system is used.** Splintering material presents a risk of injury to the eyes and body.

CAUTION

Check that the accessories used are fitted securely.

8.1 Setting forward or reverse rotation 5

NOTE

The forward / reverse switch is used to select the direction of rotation of the drive spindle. An interlock prevents switching while the motor is running. The control switch is locked when the forward / reverse switch is in the middle position. Push the forward / reverse switch to the left (when the power tool is held in the working direction) to select forward rotation. Push the forward / reverse

switch to the right (when the power tool is held in the working direction) to select reverse rotation.

8.2 Changing bits

1. Pull the depth gauge away from the power tool, releasing the click connection.
2. Pull the bit away from the power tool.
3. Fit the new bit.
4. Refit the depth gauge to the power tool.

8.3 Changing tools (bit holder, magazine bit) 6

NOTE

The chuck features a standardized ¼" hex. socket for insert tools (bits, bit holder, bits for use with screw magazines).

1. Pull the depth gauge away from the power tool, releasing the click connection.
The bit holder is then exposed and can be changed.
2. Push the chuck toward the power tool, turn it slightly and hold it securely.
3. Use the other hand to remove the bit holder.

8.4 Safe operation 7

WARNING

Do not grip the power tool by the depth gauge or bit holder. A screw coming into contact with a concealed electric cable may result in electric shock.

8.5 Switching on / off

The speed of the power tool can be controlled smoothly (increased from zero to maximum) by pressing the control switch gradually.

8.6 Power tool overloading and overheating indicator

NOTE

The power tool is equipped with an electronic protection system to prevent overloading and overheating. The power tool switches itself off automatically in the event of overloading and overheating. After releasing the control switch, the power tool may not restart immediately when the switch is pressed again (while the power tool is cooling down).

8.7 Lockbutton for sustained operation

NOTE

The lockbutton for sustained operation allows the motor to run continuously without need for constant pressure on the control switch.

8.7.1 Switching on in sustained operating mode 8

1. Press the control switch fully.
2. While maintaining pressure on the control switch, press the lockbutton and then release the control switch.

8.7.2 Switching off after sustained operation

Press the control switch. The lockbutton returns to its original position.

8.8 Power tool / depth gauge interface 9

1. Pull the depth gauge away from the power tool, releasing the click connection.
2. Pull the depth gauge forward, away from the power tool.

With the drive spindle exposed in this way, the following operations can be carried out: Removing a previously-driven screw using reverse rotation, changing the bit holder, changing to magazine operation with the SMD 57 or re-driving a screw. Read the operating instructions for the magazine for information about changing to magazine operation.

8.9 Removing a previously-driven screw

1. Remove the depth gauge or the magazine by pulling it forward, away from the power tool.
2. Set the forward / reverse switch to the reverse rotation position.
3. The screw can then be removed.

8.10 Reading the charge status LED display on Li-ion batteries 10

NOTE

The charge status cannot be indicated while the power tool is in operation. If LED 1 blinks, this simply indicates that the battery is either fully discharged or too hot for use (temperature above 80°C).

The Li-ion battery features a charge status LED display. The charge status is indicated by the LEDs on the battery during charging (please refer to the operating instructions for the charger). When the battery is at rest (not in use), its charge status is indicated by the four LEDs on the battery for three seconds after pressing one of the battery release buttons.

8.11 Belt hook 11

CAUTION

Check that the belt hook is fitted securely before beginning work.

The belt hook allows the power tool to be attached to a belt worn by the operator. The belt hook can also be fitted to the other side of the power tool for used by left-handed persons.

1. Pull the battery out of the tool.
2. Fit the mounting plate into the guides provided.
3. Secure the belt hook with the two screws.

8.12 Universal hook

CAUTION

Check that the universal hook is fitted securely. Use the universal hook only when required. Lay the power tool down in a secure place when it is no longer in use.

The universal hook can be used to attach the power tool to the operator's belt or to other objects when not in use. The universal hook can be removed from the power tool if not required. To do this, release the two screws that secure the universal hook to the power tool.

9 Care and maintenance

CAUTION

Before beginning cleaning, remove the battery from the power tool in order to prevent unintentional starting.

9.1 Care of insert tools

Clean off dirt and dust deposits adhering to the insert tools and protect them from corrosion by wiping the insert tools from time to time with an oil-soaked rag.

9.2 Care of the power tool

CAUTION

Keep the power tool, especially its grip surfaces, clean and free from oil and grease. Do not use cleaning agents which contain silicone.

The outer casing of the power tool is made from impact-resistant plastic. Sections of the grip are made from a synthetic rubber material.

Never operate the power tool when the ventilation slots are blocked. Clean the ventilation slots carefully using a dry brush. Do not permit foreign objects to enter the interior of the power tool. Clean the outside of the power tool at regular intervals with a slightly damp cloth. Do not use a spray, steam pressure cleaning equipment or running water for cleaning. This may negatively affect the electrical safety of the power tool.

9.3 Care of the Li-ion battery

Avoid entrance of moisture.

Charge the battery fully before using it for the first time. In order to achieve maximum battery life, stop discharging the battery as soon as a significant drop in performance is noticed.

NOTE

If use of the power tool continues, further battery discharge will be stopped automatically before the battery cells suffer damage.

Charge the battery with the Hilti charger approved for use with Li-ion batteries.

NOTE

- A conditioning charge (as is required with NiCd or NiMH batteries) is not necessary.
- Interruption of the charging procedure has no negative effect on battery life.
- Charging can be started at any time with no negative effect on battery life. There is no memory effect (as with NiCd or NiMH batteries).
- For best results, batteries should be stored fully charged in a cool dry place. Avoid charging the battery in places subject to high ambient temperatures (e.g. at a window) as this has an adverse effect on battery life and increases the rate of self-discharge.
- If the battery no longer reaches full charge, it may have lost capacity due to aging or overstressing. It is possible to continue working with a battery in this condition but it should be replaced in good time.

9.4 Maintenance

WARNING

Repairs to the electrical section of the power tool may be carried out only by trained electrical specialists.

Check all external parts of the power tool for damage at regular intervals and check that all controls operate faultlessly. Do not operate the power tool if parts are damaged or when the controls do not function faultlessly. If necessary, the power tool should be repaired by Hilti Service.

9.5 Checking the power tool after care and maintenance

After carrying out care and maintenance work on the power tool, check that all protective and safety devices are fitted and that they function faultlessly.

10 Troubleshooting

Fault	Possible cause	Remedy
The power tool doesn't run.	The battery is discharged or fitted incorrectly.	The battery must be heard to engage with a double click or, respectively, needs to be charged.
	Electrical fault.	Remove the battery from the power tool and contact Hilti Service.
The power tool switches itself off and all 4 LEDs on the battery blink.	The overload cut-out has been activated.	Release the control switch, reduce the load on the power tool and then press the switch again.

Fault	Possible cause	Remedy
The control switch can't be pressed, i.e. the switch is locked.	The forward / reverse switch is in the middle position (safety lock engaged).	Push the forward / reverse switch to the left or right.
The power tool runs but the screw cannot be driven.	The forward / reverse switch is set to the wrong direction of rotation.	Push the forward / reverse switch to the left.
Running speed suddenly drops considerably.	The battery is discharged.	Change the battery and recharge the discharged battery.
Speed cannot be controlled by the switch, it simply switches on / off.	The control switch is defective.	Contact Hilti Service.
The battery doesn't engage with an audible double click.	The retaining lugs on the battery are dirty.	Clean the retaining lugs and check that the battery engages securely. Contact Hilti Service if the problem persists.
The power tool or the battery gets very warm.	Electrical fault.	Switch the power tool off immediately, remove the battery and contact Hilti Service.
	The power tool has been overloaded (application limits exceeded).	Use the right power tool for the job (don't use a low-powered tool for heavy work).

11 Disposal

CAUTION

Improper disposal of the equipment may have serious consequences: the burning of plastic components generates toxic fumes which may present a health hazard. Batteries may explode if damaged or exposed to very high temperatures, causing poisoning, burns, acid burns or environmental pollution. Careless disposal may permit unauthorized and improper use of the equipment. This may result in serious personal injury, injury to third parties and pollution of the environment.

CAUTION

Dispose of defective batteries without delay. Keep them out of reach of children. Do not attempt to open or dismantle batteries and do not dispose of them by incineration.

CAUTION

Dispose of the batteries in accordance with national regulations or return them to Hilti.



Most of the materials from which Hilti power tools or appliances are manufactured can be recycled. The materials must be correctly separated before they can be recycled. In many countries, Hilti has already made arrangements for taking back your old power tools or appliances for recycling. Please ask your Hilti customer service department or Hilti representative for further information.



For EC countries only

Disposal of electric tools together with household waste is not permissible.

In observance of the European Directive on waste electrical and electronic equipment and its implementation in accordance with national law, electrical appliances that have reached the end of their life must be collected separately and returned to an environmentally compatible recycling facility.

12 Manufacturer's warranty - tools

Hilti warrants that the tool supplied is free of defects in material and workmanship. This warranty is valid so long as the tool is operated and handled correctly, cleaned and serviced properly and in accordance with the Hilti Operating Instructions, and the technical system is maintained. This means that only original Hilti consumables, components and spare parts may be used in the tool.

This warranty provides the free-of-charge repair or replacement of defective parts only over the entire lifespan of the tool. Parts requiring repair or replacement as a result of normal wear and tear are not covered by this warranty.

Additional claims are excluded, unless stringent national rules prohibit such exclusion. In particular, Hilti is not obligated for direct, indirect, incidental or consequential damages, losses or expenses in connection with, or by reason of, the use of, or inability to use the tool for any purpose. Implied warranties of merchantability or fitness for a particular purpose are specifically excluded.

For repair or replacement, send the tool or related parts immediately upon discovery of the defect to the address of the local Hilti marketing organization provided.

This constitutes Hilti's entire obligation with regard to warranty and supersedes all prior or contemporaneous comments and oral or written agreements concerning warranties.

en

13 EC declaration of conformity (original)

Designation:	Drywall screwdriver
Type:	SD 5000-A22
Generation:	01
Year of design:	2009

We declare, on our sole responsibility, that this product complies with the following directives and standards: 2004/108/EC, 2006/66/EC, 2006/42/EC, 2011/65/EU, EN 60745-1, EN 60745-2-2, EN ISO 12100.

Hilti Corporation, Feldkircherstrasse 100,
FL-9494 Schaan



Markus Messmer
Head of Quality, Processes & Software
Fastening & Protection Systems
01/2012



Tassilo Deinzer
Head of BU Direct Fastening
BU Direct Fastening
01/2012

Technical documentation filed at:

Hilti Entwicklungsgesellschaft mbH
Zulassung Elektrowerkzeuge
Hiltistrasse 6
86916 Kaufering
Deutschland



Hilti Corporation

LI-9494 Schaan

Tel.: +423 / 234 21 11

Fax: +423 / 234 29 65

www.hilti.com

Hilti = registered trademark of Hilti Corp., Schaan

W 3504 | 0613 | 00-Pos. 1 | 1

Printed in China © 2013

Right of technical and programme changes reserved S. E. & O.

400171 / A3



400171