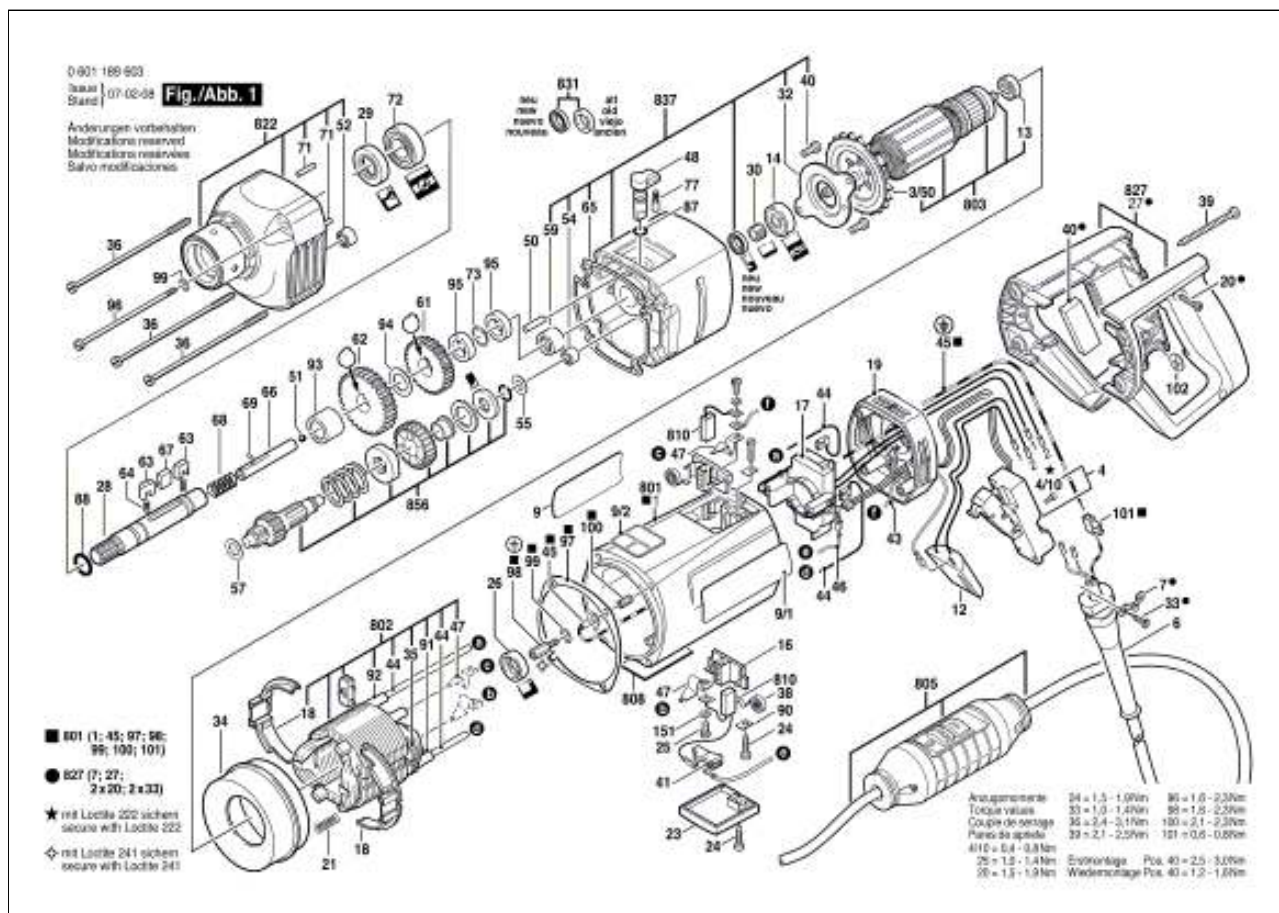


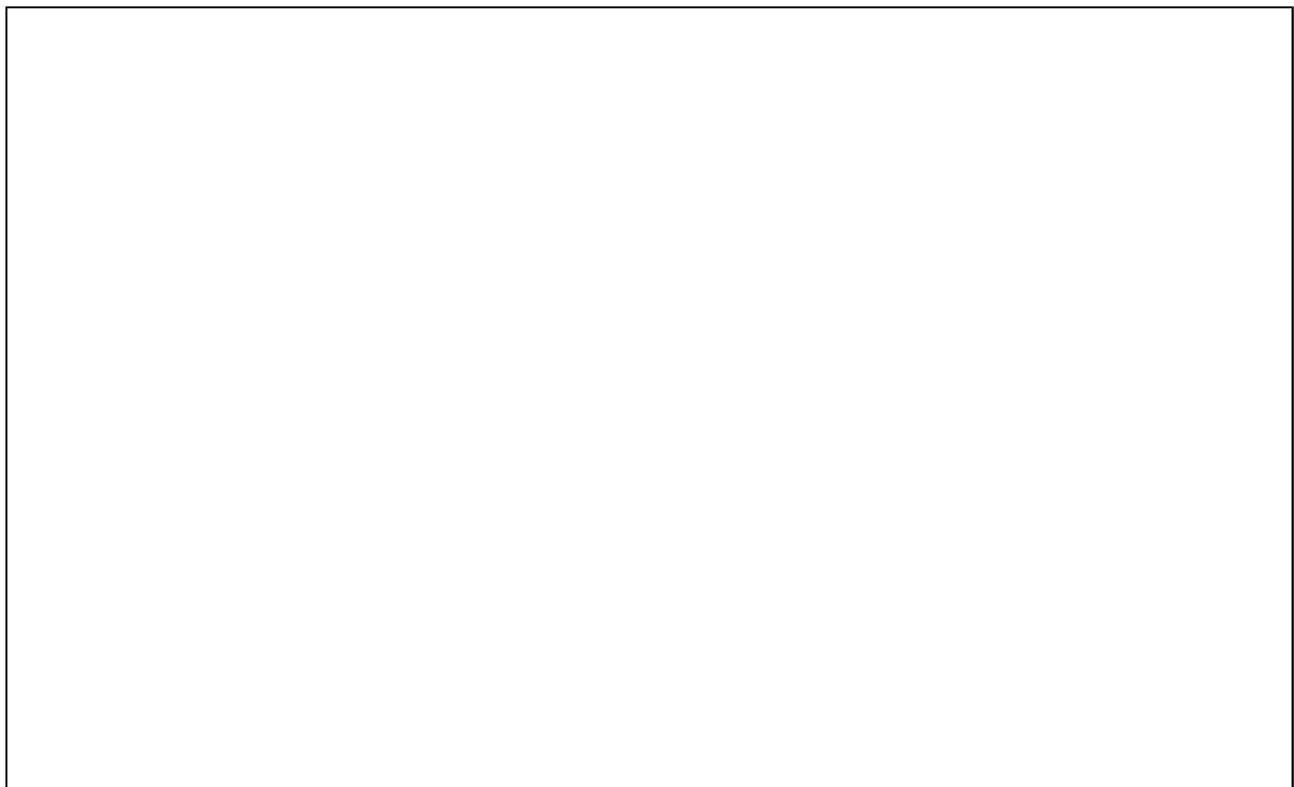
# DIAMOND DRILLING MACHINE 0 601 189 641 GDB 1600 WE



Item	Quantity	Order No.	Designation	Price group	Page
3/50	1	3 606 610 002	FAN	0	1
4	1	3 607 200 075	SWITCH	0	1
4/10	4	2 910 011 082	SOCKET HEAD SCREW / DIN 84-AM3,5x6-5.8	0	1
6	1	3 600 703 011	GROMMET / Ø7,9-Ø12x120 MM	0	1
7	1	1 601 302 013	FASTENING CLAMP	0	1
9	1	3 601 110 418	MANUFACTURER'S NAMEPLATE / SUNNY SIDE	0	1
9/1	1	3 601 110 434	REFERENCE PLATE / SHADOW SIDE	0	1
9/2	1	3 601 119 152	REFERENCE PLATE	0	1
12	1	3 607 328 013	SUPPRESSOR BOX	0	1
13	1	2 600 905 072	DEEP-GROOVE BALL BEARING	0	1
14	1	3 600 905 131	DEEP-GROOVE BALL BEARING / 9x26x8 MM	0	1
16	2	1 604 336 018	BRUSH HOLDER	0	1
17	1	1 607 233 127	GOVERNOR / 100-120V	0	1
18	2	3 600 460 006	SEGMENTED RING	0	1
19	1	3 605 500 153	COVER	0	1
20	2	2 910 211 020	SELF-TAPPING SCREW / DIN 7971-BZ3,9x19	0	1
21	2	1 604 613 006	COMPRESSION SPRING	0	1
23	2	3 605 500 063	SEALING CAP / BLUE	0	1
24	4	2 910 211 019	SELF-TAPPING SCREW / DIN 7971-ST3,9x16-F	0	1
25	2	2 910 021 118	SOCKET HEAD SCREW / DIN 84-AM 4x8-8.8	0	1
26	1	1 600 502 011	INTERMEDIATE RING	0	1
28	1	3 606 135 006	DRILLING SPINDLE	0	1
29	1	3 600 283 042	SHAFT SEALING RING	0	1
30	1	1 600 300 090	INTERMEDIATE RING	0	1
32	1	3 605 500 156	BEARING END PLATE	0	1
33	2	2 910 211 018	SELF-TAPPING SCREW / DIN 7971-ST3,9x13-F	0	1

34	1	3 600 499 016	AIR-DEFLECTOR RING	0	1
35	2	3 601 025 003	WIRE GUIDE	0	1
36	3	3 603 435 039	LENS HEAD SCREW	0	1
38	2	3 604 652 001	SPIRAL SPRING	0	1
39	4	2 910 211 239	SELF-TAPPING SCREW / DIN 79-4,8x45-C-ST	0	1
40	2	3 604 411 040	THREAD-FORMING TAP. SCREW	0	1
41	1	3 602 329 036	HOLDER PLATE	0	1
43	1	3 604 460 068	CONNECTING CABLE / L=160 MM	0	1
44	2	3 604 438 031	CONNECTING CABLE	0	1
45	1	3 604 414 049	EARTH CONDUCTOR / L=415 MM	0	1
46	1	3 604 441 010	CONNECTING CABLE / L=170 MM / WHITE	0	1
47	2	1 604 477 001	BLADE TERMINAL	0	1
48	1	3 603 231 008	ROTARY KNOB	0	1
50	1	2 917 550 099	STRAIGHT PIN / DIN 6325-4m6x20	0	1
51	1	1 903 230 013	BALL / DIN 5401-Ø7MM-III-ST	0	1
52	1	2 600 910 001	NEEDLE SLEEVE / Ø 14 MM	0	1
54	1	1 600 910 018	NEEDLE SLEEVE / Ø8xØ12x8 MM	0	1
55	1	1 600 100 617	SHIM / Ø8xØ16,5x0,5 MM	0	1
57	1	3 600 100 083	SHIM	0	1
59	1	1 610 910 088	NEEDLE SLEEVE	0	1
61	1	3 606 317 047	CYLINDRICAL GEAR / Z=34	0	1
62	1	3 606 317 048	CYLINDRICAL GEAR / Z=45	0	1
63	2	3 602 317 037	KEY	0	1
64	2	3 604 610 048	COMPRESSION SPRING	0	1
65	1	3 601 015 009	SEAL	0	1
66	1	3 600 101 051	CARRIER	0	1
67	1	3 602 317 050	GUIDE KEY	0	1
68	1	3 604 610 049	COMPRESSION SPRING	0	1
69	1	2 917 800 032	SLOTTED SPRING PIN / DIN 7343-4x2	0	1
71	2	2 917 500 121	STRAIGHT PIN / 5 H 8x18 DIN 7	0	1
72	1	1 900 900 273	DEEP-GROOVE BALL BEARING / 6003 Y DIN 625	0	1
73	1	2 916 650 008	SPRING RETAINING RING / DIN 471 17x1MM	0	1
77	2	2 600 590 006	RATCHET CAP	0	1
87	1	3 600 210 028	O-RING / 6x2 MM	0	1
88	1	3 600 210 115	O-RING / 12,5x2,5 MM	0	1
90	2	1 601 030 022	TAB WASHER	0	1
91	2	3 600 707 022	SHRINKABLE TUBE	0	1
92	2	3 600 707 022	SHRINKABLE TUBE	0	1
93	1	3 600 400 028	SPACER SLEEVE	0	1
94	1	3 600 400 025	PLAIN WASHER	0	1
95	2	3 600 400 026	SPACER SLEEVE	0	1
96	1	3 603 414 022	PAN HEAD SCREW / M 4x103 MM	0	1
97	1	3 601 016 003	CONTACT SHEET	0	1
98	1	3 603 100 033	RETAINING PIN	0	1
99	2	2 916 031 006	TOOTHED LOCK WASHER	0	1
100	1	3 603 100 034	THREADED INSERT	0	1
101	1	3 602 319 041	CLAMPING STRIP / 1x1,5 MM	0	1
102	1	3 601 119 070	REFERENCE PLATE	0	1
151	2	2 916 060 005	SPRING WASHER / DIN 137-A 4-ST	0	1
206	2	3 600 905 114	DEEP-GROOVE BALL BEARING	0	2
207	1	3 606 319 030	CARRIER	0	2
208	1	3 603 130 009	HOLLOW SHAFT / 1 1/4", R 1/2"	0	2
209	1	3 604 610 155	COMPRESSION SPRING	0	2
212	1	2 916 650 017	SPRING RETAINING RING / DIN 471 30x1,5MM	0	2
213	1	3 600 224 050	RETAINING RING	0	2
220	2	3 600 283 041	SHAFT SEALING RING	0	2
224	1	3 603 100 037	RETAINING PIN	0	2
225	1	3 605 102 084	HOUSING	0	2
226	1	3 600 700 053	SIGHT GLASS	0	2
227	1	3 605 510 041	IMPELLER WHEEL	0	2
228	1	3 600 210 112	O-RING / 25x2,65 MM	0	2

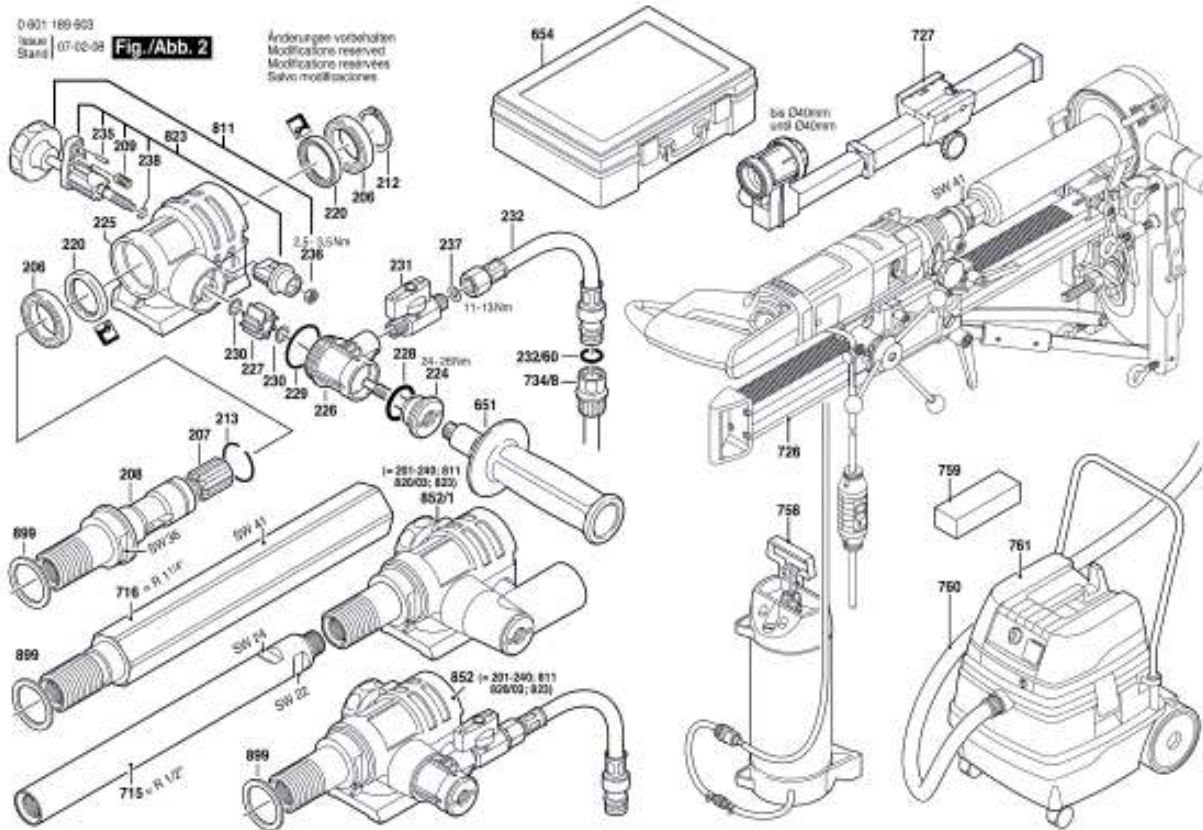
229	1	3 600 210 114	O-RING / 33x2,5 MM	0	2
230	2	3 600 100 082	PLAIN WASHER	0	2
231	1	3 602 380 011	ISOLATING VALVE	0	2
232	1	3 600 760 107	FLEXIBLE CONNECTION	0	2
232/60	1	1 609 351 000	O-RING / 11x2,5 MM	0	2
235	1	2 917 550 077	STRAIGHT PIN / DIN 6325-3M6x12	0	2
236	1	3 603 386 057	SELF-LOCKING NUT / M5	0	2
237	1	3 600 109 014	SEALING DISC	0	2
238	1	3 600 224 056	SPRING RETAINING RING	0	2
651	1	3 602 025 014	AUXILIARY HANDLE / M14 / BLACK	0	2
654	1	1 615 438 373	CARRYING CASE	0	2
715	1	2 608 598 044	LENGTHENING PIECE / R 1/2"	0	2
716	1	2 608 598 045	LENGTHENING PIECE / 1 1/4"	0	2
726	1	0 601 190 025	DRILL STAND	0	2
727	1	2 609 390 313	DRILLING AND BORING JIG	0	2
734/8	1	3 603 386 050	HOSE COUPLING / 1/2"	0	2
758	1	2 609 390 308	CALIBRATING UNIT	0	2
759	1	2 609 390 315	WHETSTONE	0	2
760	1	1 609 202 230	AIR HOSE / Ø 35 MM, L=5 M	0	2
761	1	0 601 989 141	ALL PURPOSE VACCUUM CLEAN / GB	0	2
801	1	3 605 108 181	MOTOR HOUSING / BLUE	0	1
802	1	3 604 220 108	FIELD / 110-120V	0	1
803	1	3 604 010 090	ARMATURE / 110-120V	0	1
805	1	3 604 460 124	ELEC. CABLE W/CONNECTION	0	1
808	1	1 601 106 999	NAMEPLATE / 26x52 MM	0	1
810	1	3 607 014 005	CARBON-BRUSH SET	0	1
811	1	3 603 349 003	STAR KNOB	0	2
822	1	3 605 806 184	SPINDLE BEARING	0	1
823	1	3 600 300 055	CLAMP BUSHING	0	2
827	1	3 605 133 019	HANDLE / BLACK	0	1
831	1	3 600 290 070	ROTARY SHAFT LIP SEAL	0	1
837	1	3 607 030 438	INTERMEDIATE BEARING	0	1
852	1	3 607 031 573	FLUSHING JET / 1 1/4", R 1/2"	0	2
852/1	1	3 607 031 574	EXTRACTOR HEAD / 1 1/4", R 1/2"	0	2
856	1	3 606 309 054	SPUR WHEEL CLUTCH	0	1
899	1	1 600 190 043	GLIDE RING / Ø32,2xØ41x1 MM	0	2



0 601 189 603  
 Ersatz-  
 Stand | 07-02-08

**Fig./Abb. 2**

Änderungen vorbehalten  
 Modifications reserved  
 Modificaciones reservadas  
 Salvo modificaciones

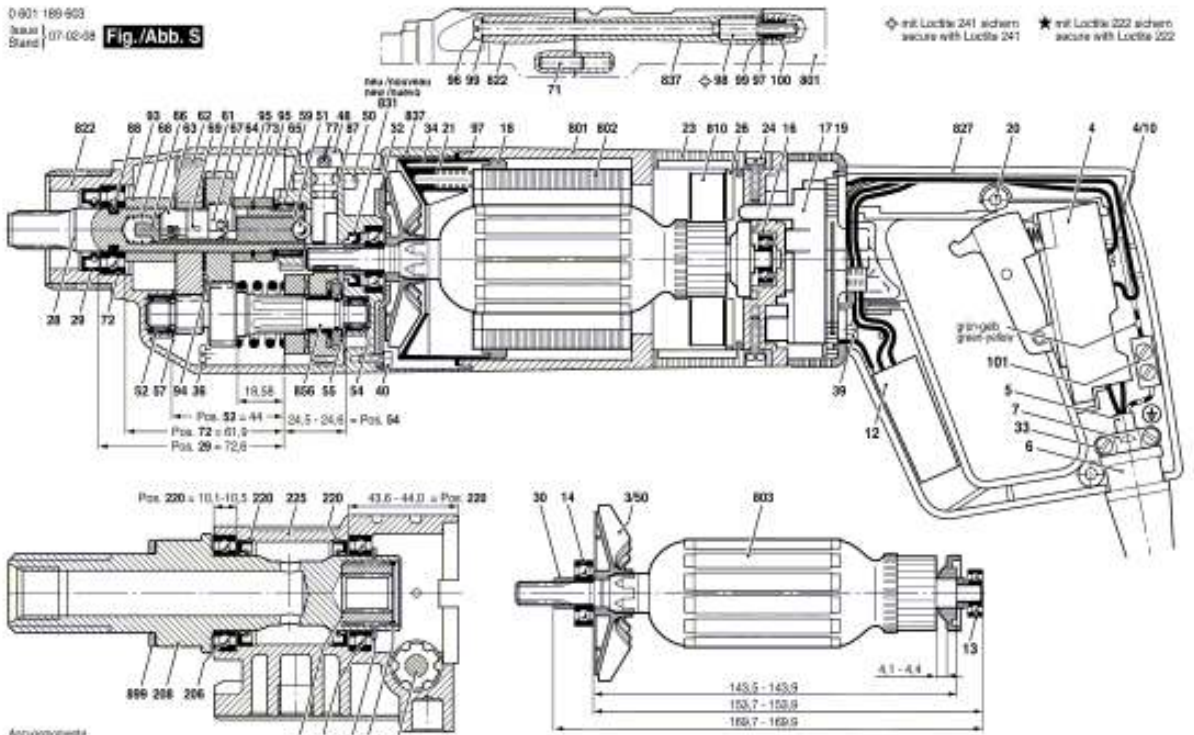


0 601 189 603  
 Ersatz-  
 Stand | 07-02-08

**Fig./Abb. 3**

◆ mit Lockite 241 sichern  
 secure with Lockite 241

★ mit Lockite 222 sichern  
 secure with Lockite 222



**Accoppiamenti**  
 Torque values  
 Couple de serrage  
 Pares de apriete

470 = 0.6 - 0.9 Nm	24 = 1.5 - 1.9 Nm	56 = 1.5 - 2.3 Nm
25 = 1.0 - 1.4 Nm	32 = 1.0 - 1.4 Nm	58 = 1.5 - 2.3 Nm
20 = 1.5 - 1.9 Nm	35 = 3.2 - 3.5 Nm	103 = 2.1 - 2.3 Nm
	39 = 2.1 - 2.5 Nm	106 = 3.5 - 0.8 Nm

**Endmontage** □ Pos. 43 = 2.3 - 3.0 Nm  
**Wendmontage** = Pos. 40 = 1.2 - 1.5 Nm

Austrastmoment 12 Nm - 18 Nm  
 Slipping point of clutch 12 Nm - 18 Nm  
 Bei 12 Nm und weniger - Kupplung ersetzen  
 By 12 Nm and less - replace slipping clutch!

Made in Iran  
 Dimensions in mm  
 Cotas en mm  
 Medidas en mm

Änderungen vorbehalten  
 Modifications reserved  
 Modificaciones reservadas  
 Salvo modificaciones