

TECHNICAL SPEC

Engine

Yanmar Diesel 3 cylinders 3TNV82A-XBVA
 Rated output (DIN 6270B) 18.4 kw/25 HP/2500 rpm
 Displacement 1331 cm³
 Max. torque 87.31 N.m./1500 rpm

Hydraulic circuit

System capacity 42 l
 Max. pressure 206 bar
 Variable flow dual piston pump 2 x 38.75 l/mn
 1 gear pump 1 x 21.25 l/mn

Performances

Travelling speed 2.7/4.6 km/h	Grade ability 30°
Swing speed 10 rpm	Shoe width 300 mm
Digging force (arm/bucket) 1800/2800 kgf	Ground clearance 320 mm
Boom swing (L/R) 50°/75°	Blade (width x height) 1550 x 370 mm
Ground pressure* 0.305/0.293 kg/cm ²	* cabin/canopy



Miscellaneous



Fuel tank 37 l
 Cooling system 3.5 l
 Transport dimensions (L x w x h) 4325 x 1550 x 2530 mm
 Noise level LwA (2000/14/CE & 2005/88/CE) 95 dBA




Optional equipment

Special paint	Safety device for loading
Bio Oil	Anti-theft device
Long dipper arm (+ 250 mm)	FOPS 2 protection bars on cab roof
Arm extension (+ 500 mm)	



PTO	Theoretical data	
	Pressure	2500 rpm
	0 ~ 206 bar	60 ~ 38.75 l/mn
	0 ~ 206 bar	60 ~ 38.75 l/mn

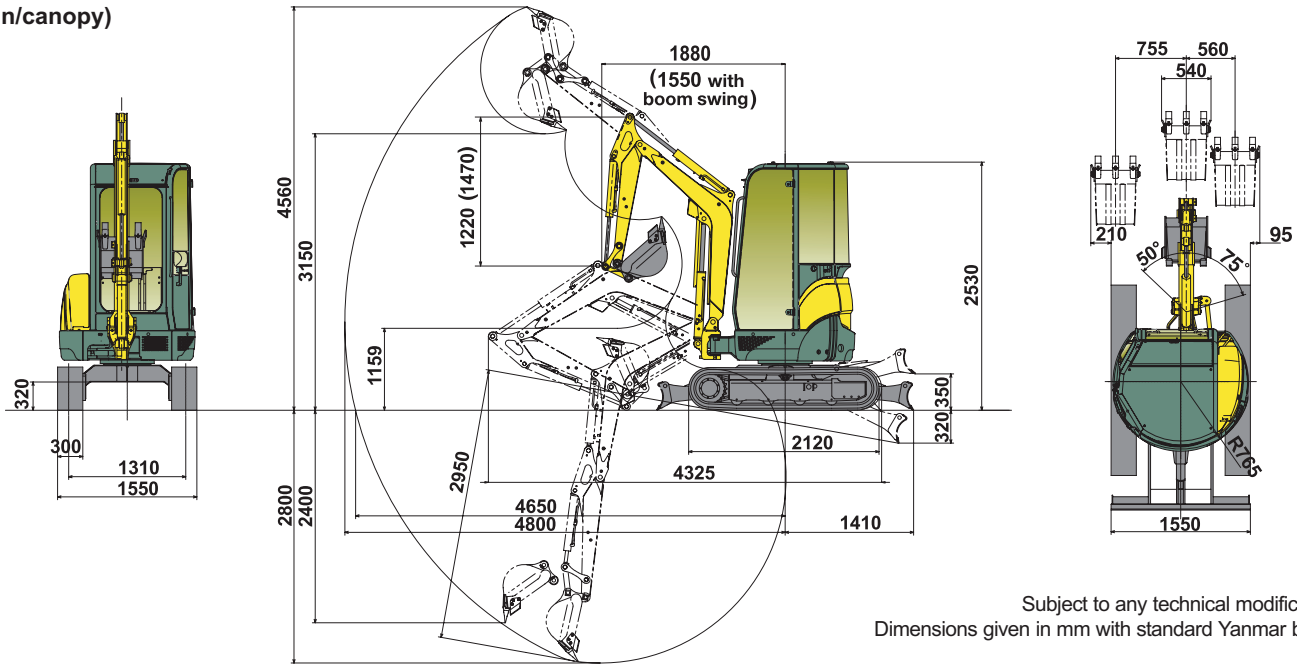
 • The output reduces as the pressure increases.

IFICATIONS



Operating weight +2% :

3270/3140 kg rubber crawlers
(cabin/canopy)



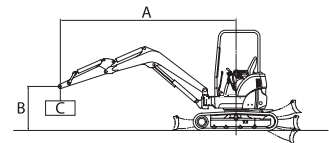
Subject to any technical modifications.
Dimensions given in mm with standard Yanmar bucket.

Blade on ground

A	Maxi		3.0 m		2.5 m		2.0 m		
B									
3.0	430	*680	*620	*620	-	-	-	-	C
2.5	360	*700	540	*700	*660	*660	-	-	
2.0	330	*700	540	*770	730	*880	-	-	
1.0	290	*700	490	*1010	680	*1300	870	*1750	
0	310	*750	490	*1140	630	*1450	910	*1960	
-1.0	410	*750	480	*940	640	*1270	930	*1730	
-1.5	520	*730	-	-	640	*960	940	*1310	

Machine with canopy,
rubber crawlers,
bucket of 86 kg (540 mm).

- A : Overhang from rotational axis (m).
- B : Height of hooking point (m).
- C : Safe working load (kg).
(+ 4% with cab).



Blade above ground

A	Maxi		3.0 m		2.5 m		2.0 m		
B									
3.0	430	490	*620	*620	-	-	-	-	C
2.5	360	430	540	*660	*660	*660	-	-	
2.0	330	390	540	630	720	*830	-	-	
1.0	290	350	490	580	680	790	870	1060	
0	310	360	490	570	630	760	910	1090	
-1.0	400	480	480	580	640	760	930	1130	
-1.5	520	630	-	-	640	760	940	1090	

Tipping load,
rating over front

Tipping load,
rating over side 90°

The data contained in these tables represent the lifting capacity in accordance with ISO standard 10567. They correspond to 75 % of the maximum static tipping load or 87 % of the hydraulic lifting power. Data marked * are the hydraulic limits of the lifting power.