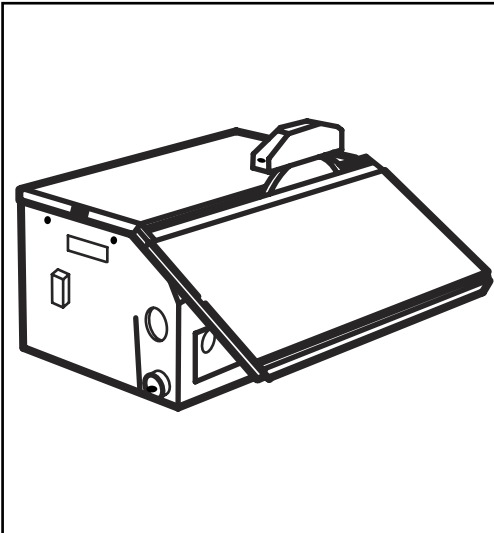




Ⓞ GB	Operators Manual	4
Ⓞ US	Operators Manual	12
Ⓞ F	Manuel De L'Opérateur	20
Ⓞ E	Manual del Operador	28

# TILE SAWS



- Spare Parts Book
- Pièces détachées
- Libro Despiece

36

**EC DECLARATION OF CONFORMITY / DECLARATION CE DE CONFORMITE /  
DECLARACIÓN DE CONFORMIDAD CE / DECLARAÇÃO CE DE CONFORMIDADE /  
EG-VERKLARING VAN OVEREENSTEMMING / EF  
OVERENSSTEMMELSESERKLÆRING**

**GB** We, **Belle Group Sheen UK, Sheen, Nr. Buxton, Derbyshire, SK17 0EU, GB**, hereby certify that if the product described within this certificate is bought from an authorised Belle Group dealer within the EEC, it conforms to the following EEC directives: 98/37/EC (This directive is a consolidation of the original machinery directive 89/392/EEC), Electromagnetic Compatibility Directive 89/336/EEC (as amended by 92/31/EEC & 93/68 EEC). The low voltage directive 73/23/EEC, EN 292 Safety of machinery and associated harmonised standards, where applicable. Noise emissions conform to directive 2000/14/EC Annex VI, for machines under article 12 the notified body is **AV Technology Limited, AVTECH house, Birdhall Lane, Cheadle Heath, Stockport, Cheshire, SK3 0XU, GB**.

**F** Nous soussignons, **Belle Group Sheen UK, Sheen, Nr Buxton, Derbyshire, SK17 0EU, GB**, certifions que si le produit décrit dans ce certificat est acheté chez un distributeur autorisé Belle Group au sein de la CEE, il est conforme aux normes CEE ci-après: 98/37/CE (Cette norme est une codification des normes de la machine d'origine 89/392/CEE), Norme compatible pour l'électromagnétisme 89/336/CEE (modifié par 92/31/CEE et 93/68/CEE). Caractéristiques basse tension 73/23/CEE, EN 292, Norme de sécurité des machines et des critères associés et configurés, si applicable. Les émissions de bruit sont conformes à la directive 2000/14/EC Annexe VI pour machines, article 12, l'objet mentionné est **AV Technology Limited, AVTECH House, Birdhall Lane, Cheadle Heath, Stockport, Cheshire, SK3 0XU, GB**.

**E** La Sociedad, **Belle Group Sheen UK, Sheen, Nr. Buxton, Derbyshire, SK 17 0EU, GB**, por el presente documento certifica que si el producto descrito en este certificado es comprado a un distribuidor autorizado de Belle Group en la CEE, este es conforme a las siguientes directivas: 98/37/CE de la CEE (Esta directiva consolida la directiva inicial sobre maquinaria 89/392/CEE), Directiva 89/336 CEE sobre Compatibilidad Electromagnética (según enmiendas 92/31/CEE y 93/68 CEE), Directiva sobre Bajo Voltaje 73/23/CEE, EN 292 de Seguridad de Maquinaria y Niveles armonizados estándares asociados donde sean aplicables. Emisión de Ruidos conforme a la Directiva 2000/14/CE Anexo VI para máquinas bajo artículo 12 la mencionada unidad está **AV Technology Limited, AVTECH House, Birdhall Lane, Cheadle Heath, Stockport, Cheshire, SK3 0XU, GB**.

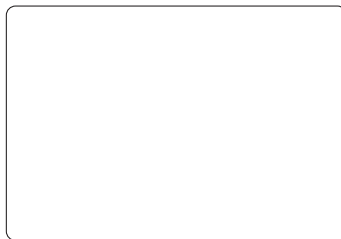
**P** O signatário, **Belle Group Sheen UK, Sheen, Nr Buxton, Derbyshire, SK 0EU, GB**, pelo presente, declara que se o produto descrito neste certificado foi adquirido a um distribuidor autorizado do Belle Group em qualquer país da UE, está em conformidade com o estabelecido nas seguintes directivas comunitárias: 98/37/EC (esta directiva é uma consolidação da directiva de maquinaria original 89/392/EEC), Directiva de Compatibilidade Electromagnética 89/336/EEC (conforme corrigido pelas 92/31/EEC & 93/68 EEC). A directiva de baixa voltagem 73/23/EEC, EN 292 Segurança da maquinaria e às normas harmonizadas afins se aplicáveis. As emissões de ruído respeitam e estão dentro das directivas para máquinas 2000/14/EC Anexo VI, artigo 12, sendo o organismo notificado **AV Technology Limited, AVTECH house, Birdhall Lane, Cheadle Heath, Stockport, Cheshire, SK3 0XU, GB**.

**NL** Ondergetekende, **Belle Group Sheen UK, Sheen, Nr. Buxton, Derbyshire, SK17 0EU, GB**, verklaren hierbij dat als het product zoals beschreven in dit certificaat is gekocht van een erkende Belle Group dealer binnen de EEG, het voldoet aan de volgende EEG richtlijnen: 98/37/EC (Deze richtlijn is een opvolger van de originele Machinerichtlijn 89/392/EEG), Electromagnetische Compatibiliteit Richtlijn 89/336/EEG (geamendeerd door 92/31/EEG & 93/68 EEG). De Laagspannings Richtlijn 72/23/EEG, EN 292 Veiligheid van Machines en hieraan gekoppelde geharmoniseerde Standaarden, waar deze van toepassing is. Rumoe emissies passen voor richtlijn EC Zijgebouw VI, voor toestel onder stuk 12 naar de notified troep zit **AV Technology Limited, AVTECH house, Birdhall Lane, Cheadle Heath, Stockport, Cheshire, SK3 0XU, GB**

**DK** Vi, **Belle Group Sheen UK, Sheen, Nr. Buxton, Derbyshire, SK17 0EU, GB**, erklærer hermed, at hvis det i dette certifikat beskrevne produkt er købt hos en autoriseret Belle Group forhandler i EU, er det i overensstemmelse med følgende EØF-direktiver: 98/37/EF, 73/23/EØF (som ændret ved 93/68/EØF), 89/336/EØF (som ændret ved 92/31/EØF), 93/68/EØF og tilknyttede, harmoniserede standarder, hvor relevant. Støjniveauet er i overensstemmelse med direktiv 2000/14/EF, bilag VI gældende for maskiner under paragraf 12. Det bemyndigede organ er **AV Technology Limited, AVTECH house, Birdhall Lane, Cheadle Heath, Stockport, Cheshire, SK3 0XU, Storbritanien**.

PRODUCT TYPE .....	TYPE DE PRODUIT .....	TIPO DE PRODUCTO .....	TIPO DE PRODUTO: .....
MODEL .....	MODELE.....	MODELO .....	MODELO:.....
SERIAL No.....	N° DE SERIE .....	N° DE SERIE .....	NO. DE SÉRIE: .....
DATE OF MANUFACTURE...	DATE DE FABRICATION.....	FECHA DE FABRICACIÓN....	DATA DE FABRIC.....
SOUND POWER LEVEL..... MEASURED (GUARANTEED):	NIVEAU DE ..... PUISSANCE SONORE MESUREE (GARANTIE)	NIVEL DE ..... POTENCIA ACÚSTICA MEDIDO (GARANTIZADO)	NIVEL DE ..... POTÊNCIA DE SOM MEDIDO (GARANTIDO)

PRODUCTTYPE.....	PRODUKTTYPE.....
MODEL .....	MODEL .....
SERIENUMMER .....	SERIENR. ....
FABRICAGEDATUM .....	FREMSTILLINGSDATO.....
GEMETEN .....	LYDEFFEKTNIVEAU .....
GELUIDSSTERKTENIVEAU (GEGARANDEERD)	MÅLT (GARANTERET)



Signed by:  
Signature:  
Medido por:  
Assinado por:  
Getekend door:  
Uunderskrevetaf:

  
**Ray Neilson**

Managing Director - On behalf of BELLE GROUP (SHEEN) UK.  
Le Directeur Général - Pour le compte de la SOCIETE BELLE GROUP (SHEEN) UK.  
Director Gerente - En nombre de BELLE GROUP (SHEEN) UK.  
Director-Geral - Em nome de BELLE GROUP (SHEEN) UK.  
Algemeen Directeur - Namens BELLE GROUP (SHEEN) UK.  
Administrerende direktør - På vegne af BELLE GROUP (SHEEN) UK.



# How To Use This Manual

This manual has been written to help you operate and service the Tile Saw safely. This manual is intended for dealers and operators of the Tile Saw.

## Foreword

The '**Environment**' section gives instructions on how to handle the recycling of discarded apparatus in an environmentally friendly way. The '**General Safety**' and '**Health and Safety**' sections explain how to use the machine to ensure your safety and the safety of the general public.

The '**Trouble Shooting**' guide helps you if you have a problem with your machine.


The '**Service & Maintenance**' section is to help you with the general maintenance and servicing of your machine.


The '**Warranty**' Section details the nature of the warranty cover and the claims procedure.

The '**Declaration of Conformity**' section shows the standards that the machine has been built to.

## Directives with regard to the notations.


Text in this manual to which special attention must be paid are shown in the following way:

 **CAUTION** The product can be at risk. The machine or yourself can be damaged or injured if procedures are not carried out in the correct way.

 **WARNING** The life of the operator can be at risk.



# WARNING

 **WARNING** Before you operate or carry out any maintenance on this machine **YOU MUST READ** and **STUDY** this manual.

**KNOW** how to safely use the unit's controls and what you must do for safe maintenance. (NB Be sure that you know how to switch the machine off before you switch on, in case you get into difficulty.)

**ALWAYS** wear or use the proper safety items required for your personal protection. If you have **ANY QUESTIONS** about the safe use or maintenance of this unit, ASK YOUR SUPERVISOR OR CONTACT: **BELLE GROUP (UK): +44 (0) 1298 84606**



# Contents

How to use this manual .....	4
Warning .....	4
Technical Data .....	5
Environment .....	5
General Safety .....	6
Health & Safety .....	7
Connecting to the Power Supply .....	7
Pre-Start Checks .....	7
Adjusting the Blade Guard .....	8
Installation .....	8
Transportation .....	8
Operating Instructions .....	9
Service & Maintenance .....	10
Trouble Shooting Guide .....	11
Warranty .....	11
Declaration of Conformity .....	2

*Belle Group reserves the right to change machine specification without prior notice or obligation.*

# Technical Data



Model	Minitile 180	Minitile 200	Minitile 230	Magiktile 180	Maxitile 260
Width (mm)	478	460	585	394	440
Height (mm)	270	260	333	158	1240
Length (mm)	498	330	560	394	1150
Blade Diameter (mm)	180	200	230	180	200
Blade Speed (rpm)	2800	2800	2800	2800	2800
Blade Centre Hole (mm)	25.4	25.4	25.4	25.4	25.4
Max. Cutting Depth (mm)	35	30	35	35	40
Machine Weight (kg)	12	24	30	10	34
Water Tank Capacity (Ltr)	5	2	2	5	25
Motor Power (W)	550	550	1200	550	650
Capacitor (230v 50Hz) (µF)	8	8	16	8	10
Capacitor (115v 50Hz) (µF)	30	30	70	30	40
Sound Power Level					
Lw (Loadless) (dB(A))	69.2	71.4	72.4	69.2	69.2
Lw (Underload) (dB(A))	100	101.5	103.5	100.2	100.2
Lpm (Loadless) (dB(A))	62.7	32.7	61.5	32.7	62.7
Lpm (Underload) (dB(A))	92	92	93.3	92	92

# Environment



### Safe Disposal.



Instructions for the protection of the environment. The machine contains valuable materials. Take the discarded apparatus and accessories to the relevant recycling facilities.



Component	Material
Electric Motor	Aluminium
	Steel
	Copper
	Polyamide
Main Body	Steel
	Polystyrene
	Polyamide

**WARNING**

When using electric tools, following safety precautions should always be followed to reduce the risk of fire, electric shock and personal injuries. Read and follow all these instructions before attempting to operate this product.

**Keep your work area perfectly clean**

- Cluttered areas invite injuries.

**Consider work area environment**

- Don't expose tools to rain.
- Don't use tools in damp or wet locations. Keep work area well lit.
- Don't use tools in presence of flammable liquids or gases.

**Guard against electric shocks**

- Prevent body contact with grounded surfaces.

**Keep children away!**

- Do not let third parties contact tool or extension cord. All visitors should be kept away from work area.

**Store your tools in a safe place**

- When not in use, tools should be stored in dry and safe places, out of the reach of children.

**Don't force tool**

- It will function better and in a safer way at the rate for which it was intended.

**Use the right tool**

- Don't use low duty tools or accessories to do the job of a heavy-duty tools. Don't use tools for purposes not intended.

**Dress properly**

- Rubber gloves and non-slip footwear are recommended when working outdoors. Wear protective hair covering to contain long hair.
- Use safety glasses.
- Use a mask if working operations are dusty.

**Don't abuse cord**

- Never carry tool by cord or yank it to disconnect it from socket.
- Keep cord from heat, oil and sharp edges.

**Avoid unsteady positions**

- Be sure to work in a safe and balanced position.

**Maintain tools with care**

- Keep tools sharp and clean for better and safer performance.
- Follow all maintenance advice and instructions to replace accessories subject to wear. Inspect tool cords periodically and, if damaged, have them repaired by an authorised expert. Check extension cords periodically and replace them if damaged.
- Keep handles dry, clean and free from oil and grease.

**Disconnect tools**

- When not in use, before servicing, and when changing accessories subject to wear.

**Remove service keys from tool**

- Form the habit of checking to see that keys and adjusting spanners are removed from tool before turning it on.

**Avoid unintentional starting**

- Be sure that the switch is off when plugging in the tool.

**Extension cords for outdoor works**

- When tool is used outdoors, use only extension cords intended for this particular use and so marked.

**Stay alert**

- Watch what you are doing. Use common sense. Do not operate tool when you are inattentive.

**Check tool for damaged parts**

- Before further use of the tool, check it and the safety devices for damages and be sure that they operate properly. Check for functioning and binding of moving parts, breakage of parts, correct mounting, and any other conditions that may affect the correct operation of the tool.
- Damaged safety devices or other parts should be properly repaired or replaced by an authorised Service Centre unless otherwise indicated elsewhere in this instruction manual.
- Have defective switches replaced by an authorised Service Centre.
- Do not use tool if its switch cannot be turned on or off.

**Warning**

- For your personal safety use only accessories recommended in this instruction manual or in the relevant catalogues. The use of any other accessory or attachment other than those recommended in this instruction manual or in the relevant catalogue may present a risk of personal injury.

**Have tools repaired by qualified personnel**

- This electric appliance is in accordance with the safety rules in force. Only qualified experts may carry out repairing of electric appliances otherwise it may cause considerable danger for the user.

## PPE (Personal Protective Equipment).

Suitable PPE must be worn when using this equipment i.e. Safety Goggles, Gloves, Ear Defenders, Dust Mask and Steel Toe capped footwear.

Wear clothing suitable for the work you are doing. Tie back long hair and remove any jewellery which may catch in the equipment's moving parts.

## Dust.

The sawing process will occasionally produce dust, which may be hazardous to your health. Always wear a mask that is suited to the type of dust being produced.

# Connecting To The Power Supply

The machine is to be connected to the mains by a residual current circuit breaker (RCCB) or class II isolation transformer with the following characteristics:

### MINITILE 180

RCCB	<b>230V</b> In 3 A Id 20 mA	<b>115V</b> In 6 A Id 20 mA
TRANSFORMER	<b>230V</b> 50 Hz 650 W	<b>115V</b> 50 Hz 650 W

### MINITILE 200

RCCB	<b>230V</b> 5 A Id 20 mA	<b>115V</b> 6 A Id 20 mA
TRANSFORMER	<b>230V</b> 50 Hz 650 W	<b>115V</b> 50 Hz 650 W

### MINITILE 230

RCCB	<b>230V</b> 10 A Id 20 mA	<b>115V</b> 16 A Id 20 mA
TRANSFORMER	<b>230V</b> 50 Hz 1500 W	<b>115V</b> 50 Hz 1500 W

### MAGIKTILE 180

RCCB	<b>230V</b> In 6 A Id 20 mA	<b>115V</b> In 3 A Id 20 mA
TRANSFORMER	<b>230V</b> 50 Hz 650 W	<b>115V</b> 50 Hz 650 W

### MAXITILE 260

RCCB	<b>230V</b> In 5 A Id 20 mA	<b>115V</b> In 10 A Id 20 mA
TRANSFORMER	<b>230V</b> 50 Hz 1000 W	<b>115V</b> 50 Hz 1000 W

# Pre-Start Checks

## THE MINITILE / MAGIKTILE MACHINE IS DESIGNED FOR WORKING WITH WATER.

Before and during cutting operations, make sure that the water level is sufficient to cover the diamond part of the blade. Fill or top up the basin directly, as shown in the picture 1a.

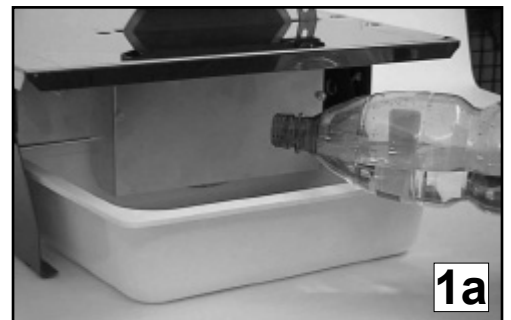
In particular cases, it may be necessary to use a tray to recover the cooling water. If so, use a tray with the following dimensions:

<b>MINITILE 180</b>	= L 50 cm, P 60 cm, H 10 cm
<b>MINITILE 200</b>	= L 50 cm, P 60 cm, H 10 cm
<b>MINITILE 230</b>	= L 60 cm, P 60 cm, H 10 cm
<b>MAGIKTILE 180</b>	= L 50 cm, P 60 cm, H 10 cm

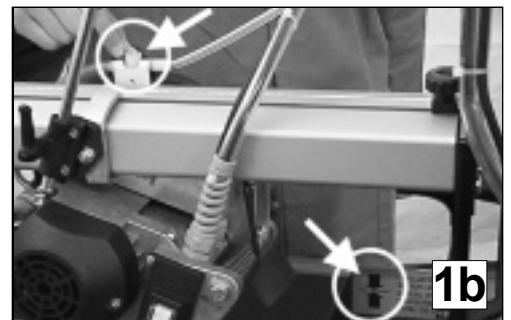
## THE MAXITILE MACHINE IS DESIGNED FOR WORKING WITH WATER.

Before any cutting operation, make sure that the water level inside the basin is the same as the one shown in picture 1b.

Through an on-off valve it is possible to adjust the water flow according to the type of material to be cut. An innovative cooling system makes it possible and allows the disk to be always wet.



1a



1b



## Adjusting The Blade Guard

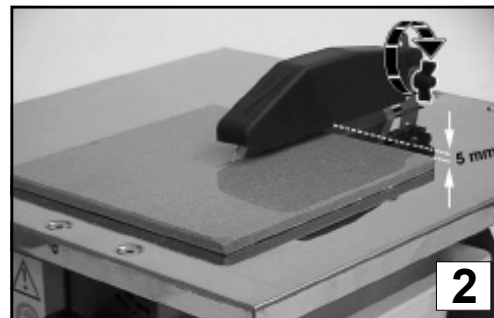


### CAUTION

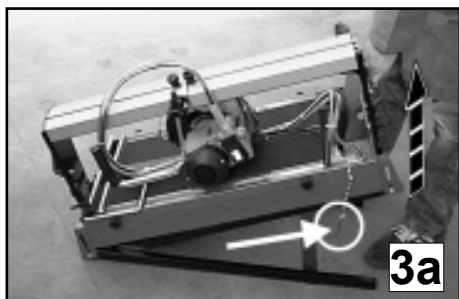
The machine is equipped with a continuous diamond rim blade. Even though this blade has been designed for operator safety if unintentionally touched, pay particular attention to avoid contact between your fingers and the blade during operation of the machine.

#### **MINITILE & MAGIKTILE ONLY!!**

Position the blade guard approximately half a centimetre above the tile surface. Lock the blade guard in position by fully tightening the screw illustrated in the figure.



## Installation



#### **MAXITILE ONLY!!**

Remove the machine from the packaging with the aid of the side carrying handles. To set up the machine for work proceed as follows:

- 1) Remove the leg lock pin and raise the rear side (pump side) of the machine with the handle until the leg is fully extended (See picture 3a).
- 2) Raise the leg by sliding it inside the slot.
- 3) Repeat the operation for the front side of the machine (See picture 3b).
- 4) Insert the tube-holder rod in its seat (See picture 3c).



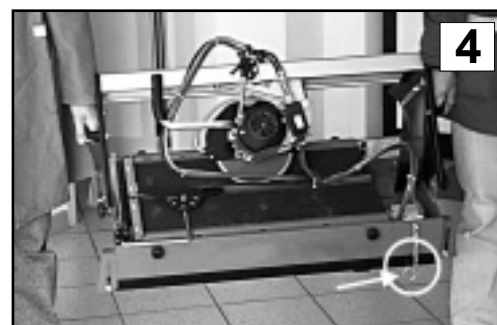
## Transportation

#### **MAXITILE ONLY!!**

The MAXITILE machine is easy to carry by using the specially provided side handles (See picture 4).

Before carrying the machine make sure that:

- the motor slide is locked in place with the two cutting adjustment knobs on the slide rail;
- the motor slide is completely lowered and locked with the locking lever;
- the machine is in the 45° (jolly) position and that the inclination adjustment knobs are properly tightened;
- the tube-holder rod is out of its housing;
- the feet are closed and the leg lock pin inserted.



# Operating Instructions

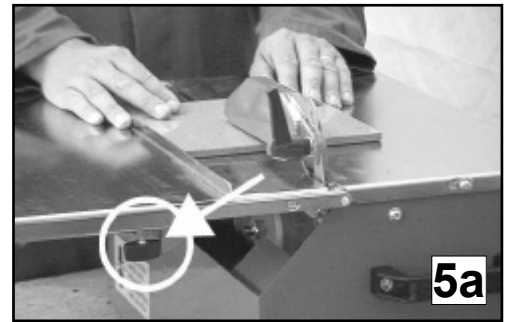


## MINITILE & MAGIKTILE ONLY!!

### Cutting at 90°

Position the cutting guide and lock it by tightening the knobs fully. (See Figure 5a)

The picture on the right shows how to position hands correctly during cutting at 90°. The forward movement of the piece must be proportional to the blade cutting capacity, to prevent hazardous fragments that would involve accidents or injuries from breaking off.

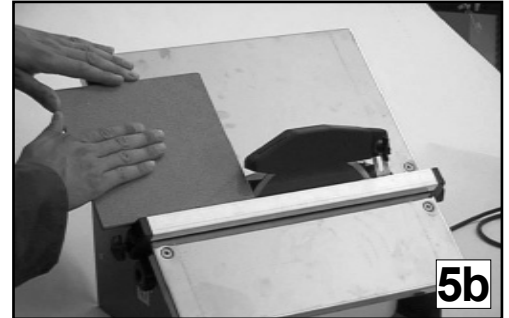


### Cutting a surface at 45°

Position the tilting table as shown in figure 5b, then lock it in place with the knobs.

Position the cutting guide approx. 2 mm from the diamond blade, then lock it in place by tightening the knobs.

Position the tile with the enamel surface downwards; make sure that the diamond blade does not come into contact with the tile enamel. Adjust the position of the cutting guide as necessary.



### **CAUTION**

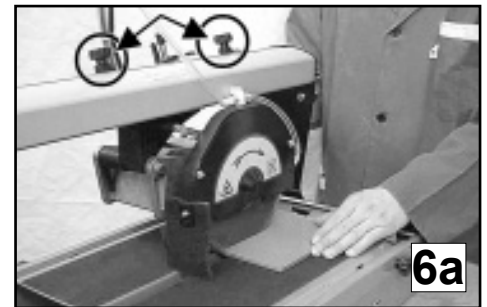
Figure 5b illustrates the correct position of the hands in the case of 45° angle cuts. Note that the right hand holds the piece in contact with the diamond blade, while the left hand moves the piece forward. The forward movement of the piece must be proportional to the blade cutting capacity, to prevent hazardous fragments which would involve accidents or injuries from breaking off.

## MAXITILE ONLY!!

### Cutting at 90°

Thanks to the great versatility of the MAXITILE machine it is possible to carry out different types of cutting.

Adjust the blade to the 0° position with the inclination adjustment knobs (See picture 6a). Position the piece which needs cutting on the working table and make sure that it is properly up against the tile-stop. If necessary, a square can be of help.



In order to carry out any diagonal cutting lean the tile against the square the way it is shown in picture 6b and go on with the cutting operation.



### **CAUTION**

The millimetre ruler placed on the Working table helps only for linear Cutting.



### Cutting at 45°

Adjust the blade to the 45° position with the inclination adjustment knobs (See picture 6b)

Lock the motor carriage at the max. cutting depth with the locking lever. Picture 6c shows the proper way the machine should be used.

In order to carry out special working it is possible to set out any cutting inclination ranging from 0° to 45° as marked on the machine side (See picture 6d).



### **CAUTION**

Before any cutting make sure that the Tile to be cut is properly up against The tile-stop.

With the MAXITILE machine it is also possible to set out:

- a- the cutting length with the cutting adjustment knobs;
- b- the cutting depth with the locking lever;
- c- the straight cut measurement with the tile bearing square as well as the ruler placed on the working table;
- d- the cutting adjustment with the specially provided indicator and ruler placed on the slide rail.







## CAUTION

Before performing any maintenance operation, ensure the machine is disconnected from the power supply.

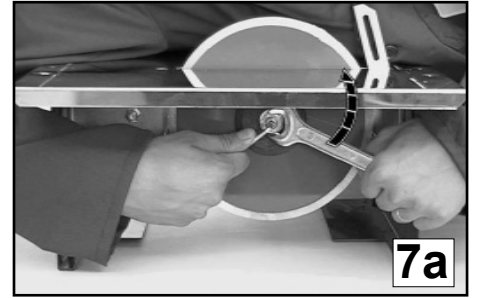
### MINITILE & MAGIKTILE ONLY!!

#### DIAMOND BLADE DISASSEMBLY

Remove the blade guard.

Use the 4mm Allen Key to hold the motor shaft. Unscrew the blade flange block nut with the 19mm spanner.

After removing the blade, clean the blade flange thoroughly and check for wear. Lubricate surfaces with fine oil, then fit new blade.



### MAXITILE ONLY!!

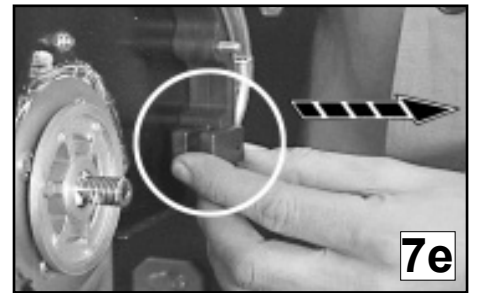
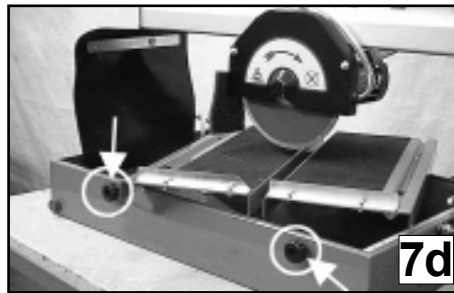
After dismantling the blade, clean the blade flanges carefully and check them for wear. Grease any surface with fine oil and go on with the assembly of a new blade. Check for correct direction of rotation as clearly indicated on the blade.



#### MOTOR CARRIAGE ADJUSTMENT

The motor carriage is provided with a register for the vertical play adjustment. If any excessive play of the motor carriage should take place, act as follows:

- 1) Loosen the register fixing nut with a 10mm spanner;
- 2) Screw down the dowel with a 4 mm Allen Key until the play is eliminated;
- 3) Lock the register again with the fixing nut.

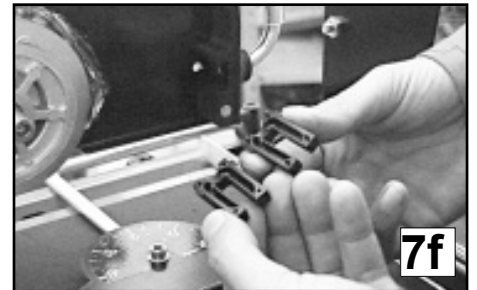


#### CLEANING

It is extremely easy to clean the MAXITILE machine by loosening the side knobs and dismantling the working table.

Through the side drain remove any residue (See picture 7d).

When necessary clean the sprayer as shown in pictures 7e and 7f.



# Troubleshooting Guide



## HAVE YOUR MACHINE REPAIRED BY A QUALIFIED PERSON ONLY

This electric machine complies with the relevant safety rules. Repairs should only be carried out by qualified persons using original spare parts, otherwise this may result in considerable danger to the user.

Fault	Cause	Remedy
The machine does not function.	The power supply cable is damaged or not properly connected.	Press the plug firmly into the power socket.
	No voltage in the socket.	Have the socket checked.
	Switch is damaged.	Consult local dealer.
	Diamond blade is bent due to incorrect use.	Replace diamond blade.
If lubrication does not arrive at the blade with the pump running.	The sprayer unit is clogged.	Dismantle the sprayer assembled inside the blade cover and remove any possible residuals.
Motor gives off unpleasant odour.	Water may have seeped through inside the motor.	Unplug the power supply cable and consult local dealer.
	Capacitor is damaged.	Unplug the power supply cable and consult local dealer.
Machine is difficult to start.	Motor bearings are damaged.	Consult local dealer.

## Warranty



Your new Belle Group Tile Saw is warranted to the original purchaser for a period of one-year (12 months) from the original date of purchase. The Belle Group warranty is against defects in design, materials and workmanship.

The following are not covered under the Belle Group warranty:

1. Damage caused by abuse, misuse, dropping or other similar damage caused by or as a result of failure to follow assembly, operation or user maintenance instructions.
2. Alterations, additions or repairs carried out by persons other than Belle Group or their recognised agents.
3. Transportation or shipment costs to and from Belle Group or their recognised agents, for repair or assessment against a warranty claim, on any machine.
4. Materials and/or labour costs to renew, repair or replace components due to fair wear and tear.

The following components are not covered by warranty:

- Drive belt(s)
- Engine air filter
- Engine spark plug

Belle Group and/or their recognised agents, directors, employees or insurers will not be held liable for consequential or other damages, losses or expenses in connection with or by reason of or the inability to use the machine for any purpose.

### Warranty Claims

All warranty claims should firstly be directed to Belle Group, either by telephone, by Fax, by Email, or in writing.

#### For warranty claims:

Belle Group Warranty Department,  
Unit 5, Bode Business Park  
Ball Haye Green  
Leek  
Staffordshire  
ST13 6BW.  
England.

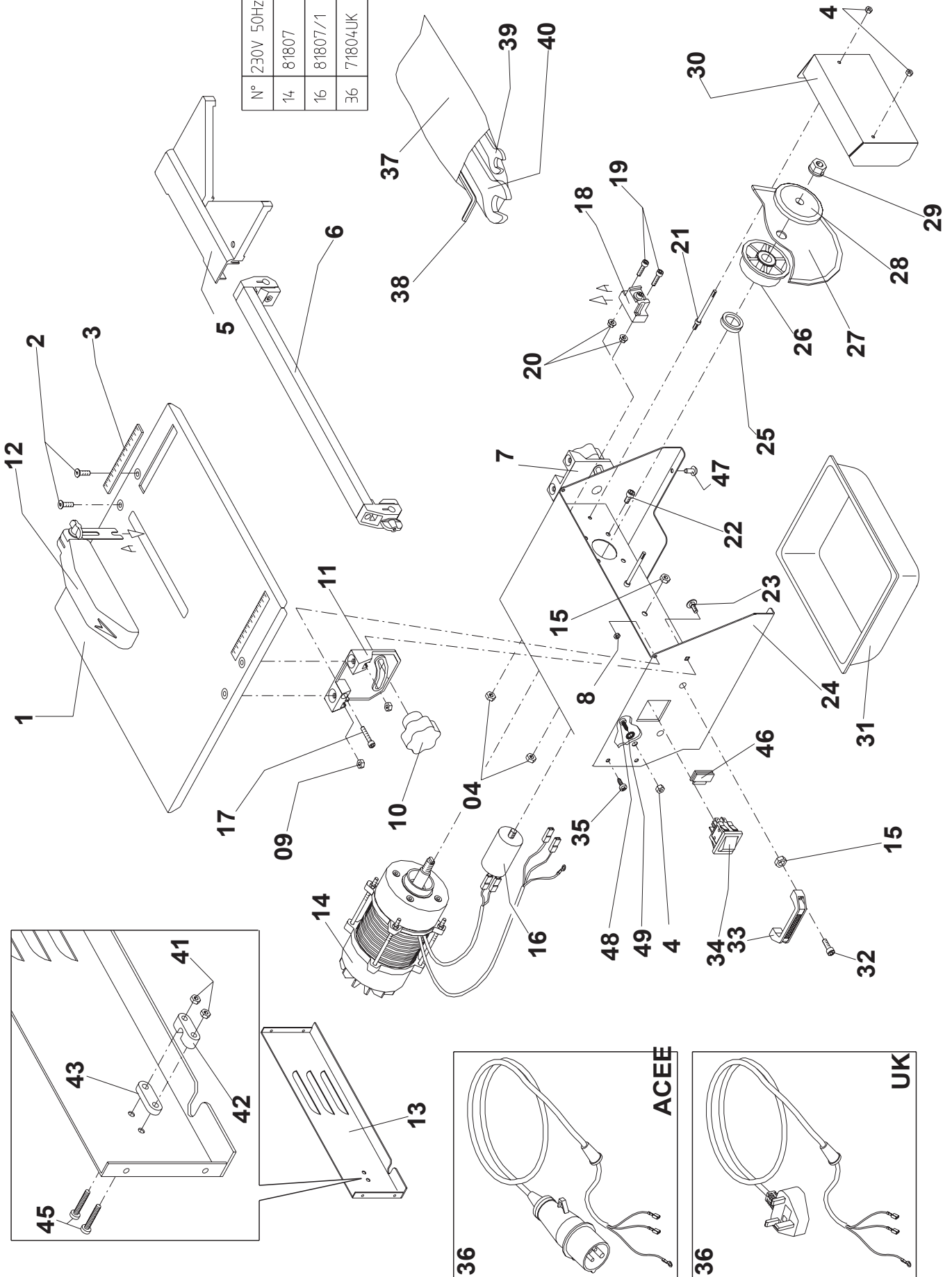
Tel : +44 (0)1538 380000

Fax : +44 (0)1538 380038

Email : [warranty@belle-group.co.uk](mailto:warranty@belle-group.co.uk)

# Minitile 180

N°	230V 50HZ	115V 50HZ
14	8'1807	8'1807/A
16	8'1807/1	8'1807/1A
36	7'1804UK	88071/ACEE



# Minitile 180

ITEM NUMBER <sup>(1)</sup>	PART NUMBER <sup>(2)</sup>	DESCRIPTION <sup>(3)</sup>
1	156.0.006	WORKING TABLE
2	156.0.007	SCREW (M6 X 16)
3	156.0.008	SCALE MEASUREMENT
4	156.0.046	NUT (M5)
5	156.0.045	DIAGONAL FENCE
6	156.0.009	CUTTING LINE
7	156.0.010	RIGHT EAR
8	156.0.011	AUTOFIXING NUT (M5)
9	156.0.047	NUT (M6)
10	156.0.012	KNOB
11	156.0.013	LEFT EAR
12	156.0.034	DISC GUARD
13	156.0.014	POSTERIOR COVER
14	156.0.036	ELECTRIC MOTOR (115V 50HZ)
14	156.0.035	ELECTRIC MOTOR (230V 50HZ)
15	8/8001	NUT (M8)
16	156.0.038	CAPACITOR (115V)
16	156.0.037	CAPACITOR (230V)
17	156.0.056	SCREW (M5 X 20)
18	156.0.039	DISC GUARD SUPPORT BRACKET
19	156.0.049	SCREW (M5 X 16)
20	156.0.015	FLANGED NUT (M5)
21	156.0.016	INTERIOR SUPPORT BOLT
22	156.0.040	SCREW (M6 X 8)
23	156.0.017	ROUND HEAD SCREW (M6 X 16)
24	156.0.018	EXTERNAL BODY
25	156.0.019	V SEAL
26	156.0.041	INTERNAL FLANGE
27	156.0.020	DIAMOND DISC (180MM X 25MM BORE)
28	156.0.042	EXTERNAL FLANGE
29	8/12002	NUT (M12)
30	156.0.021	INTERIOR PROTECTION DISC
31	156.0.022	WATER TANK
32	156.0.050	SCREW (M8 X 12)
33	156.0.051	HANDLE
34	156.0.092	SWITCH - 110V
34	156.0.075	SWITCH - 230V
35	156.0.024	RAPID FIX SCREW
36	156.0.044	PLUG & CABLE - ACEE (110V)
36	156.0.052	PLUG & CABLE - UK (230V)
37	156.0.025	KEY BAG
38	156.0.026	HEXAGONAL KEY (M6)
39	156.0.027	SPANNER (M7 - M8)
40	156.0.028	SPANNER (M18-M19)
41	156.0.055	NUT (M4)
42	156.0.029	CABLE CLIP
43	156.0.030	CABLE BRACKET
45	156.0.031	SCREW (M4 X 25)
46	156.0.032	SWITCH SPACER
47	156.0.033	RUBBER FEET
48	156.0.053	SCREW (M5 X 10)
49	4/8006	WASHER (M8)

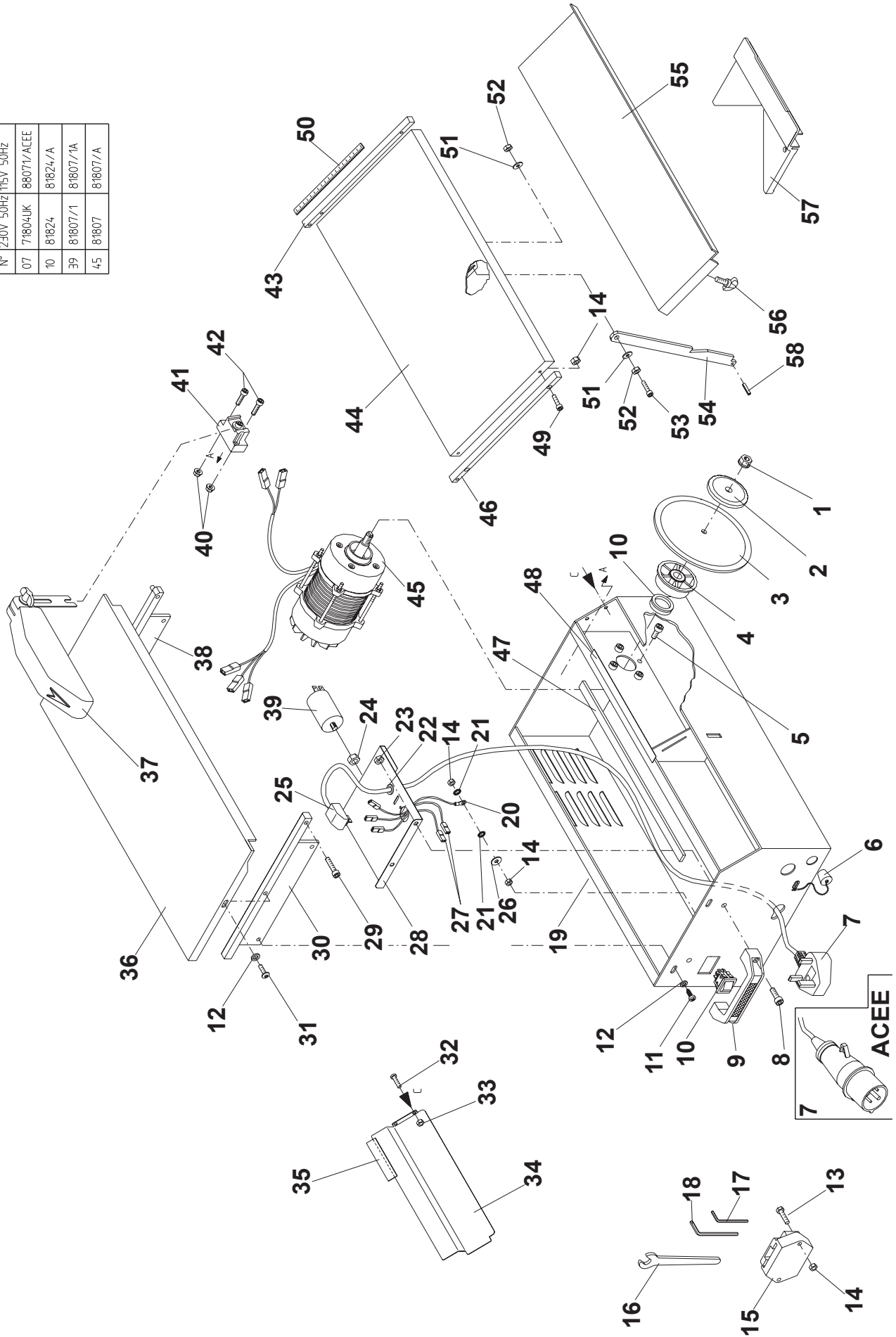
<sup>(1)</sup> Item Number / numéro sur le schéma / número de la ilustración / número da ilustração / afbeeldingsnummer / tegningsnummeret / Teil-Nummer / numero dell'illustrazione

<sup>(2)</sup> Part Number / Numéro de référence de la pièce / número de pieza / número da parte / stuknummer / Styknummer / Nummer auf der Abbildung / numero di parte

<sup>(3)</sup> Description / Désignation / Descripción / Descrição / Omschrijving / Beskrivelse / Bezeichnung / Descrizione

# Minitile 200

N°	230V 50Hz	115V 50Hz
07	71804UK	88071/ACEE
10	81824	81824/A
39	81807/1	81807/1A
45	81807	81807/A



# Minitile 200

ITEM NUMBER <sup>(1)</sup>	PART NUMBER <sup>(2)</sup>	DESCRIPTION <sup>(3)</sup>
1	8/12002	NUT (M12)
2	156.0.042	EXTERNAL FLANGE
3	156.0.057	DIAMOND DISC (200MM X 25MM BORE)
4	156.0.041	INTERNAL FLANGE
5	156.0.040	SCREW (M6 X 8)
6	156.0.074	DRAIN PLUG
7	156.0.044	PLUG & CABLE - ACEE (110V)
7	156.0.052	PLUG & CABLE - UK (230V)
8	156.0.050	SCREW (M8 X 12)
9	156.0.051	HANDLE
10	156.0.092	SWITCH (115V)
10	156.0.075	SWITCH (230V)
11	156.0.076	SCREW (M6 X 10)
12	4/6001	WASHER (M6)
13	156.0.078	SCREW (M5 X 20)
14	156.0.046	NUT (M5)
15	156.0.069	TOOL HOLDER
16	156.0.070	HEXAGONAL KEY (M19)
17	156.0.079	HEXAGONAL KEY (M3)
18	156.0.110	HEXAGONAL KEY (M5)
19	156.0.061	STEEL BODY
20	156.0.080	EARTH LEAD
21	4/8006	WASHER (M8)
22	156.0.081	CABLE INSERT
23	8/8001	NUT (M8)
24	8/8001	NUT (M8)
25	156.0.082	TERMINAL BLOCK
26	156.0.083	WASHER (M5)
27	156.0.084	POWER CABLE
28	156.0.085	INTERNAL BASE PLATE
29	156.0.086	SCREW (M6 X 25)
30	156.0.072	LH SUPPORT - MOBILE TABLE
31	156.0.053	SCREW (M5 X 10)
32	156.0.093	SCREW (M4 X 6)
33	156.0.055	NUT M4
34	156.0.062	STEEL PROTECTION DISC
35	156.0.087	WATER SPRAY PROTECTOR
36	156.0.063	WORKING TABLE
37	156.0.034	DISC GUARD
38	156.0.071	RH SUPPORT - MOBILE TABLE
39	156.0.038	CAPACITOR (115V)
39	156.0.037	CAPACITOR (230V)
40	156.0.046	NUT (M5)
41	156.0.039	DISC GUARD SUPPORT BRACKET
42	156.0.049	SCREW (M5 X 16)
43	156.0.062	STEEL PROTECTION DISC
44	156.0.065	MOBILE TABLE
45	156.0.036	ELECTRIC MOTOR (115V 50HZ)
45	156.0.035	ELECTRIC MOTOR (230V 50HZ)
46	156.0.066	LATERAL THREADED MOBILE SUPPORT
47	156.0.073	WASHER
48	156.0.087	WATER SPRAY PROTECTOR
49	156.0.049	SCREW (M5 X 16)
50	156.0.088	SCALE MEASUREMENT
51	156.0.089	WASHER
52	156.0.047	NUT (M6)
53	156.0.090	SCREW (M6 X 22)
54	156.0.067	SUPPORT ROD - MOBILE TABLE
55	156.0.068	MOBILE TABLE EXTENSION
56	156.0.091	WING NUT
57	156.0.045	DIAGONAL FENCE
58	156.0.118	RUBBER PIN
59	156.0.019	V SEAL

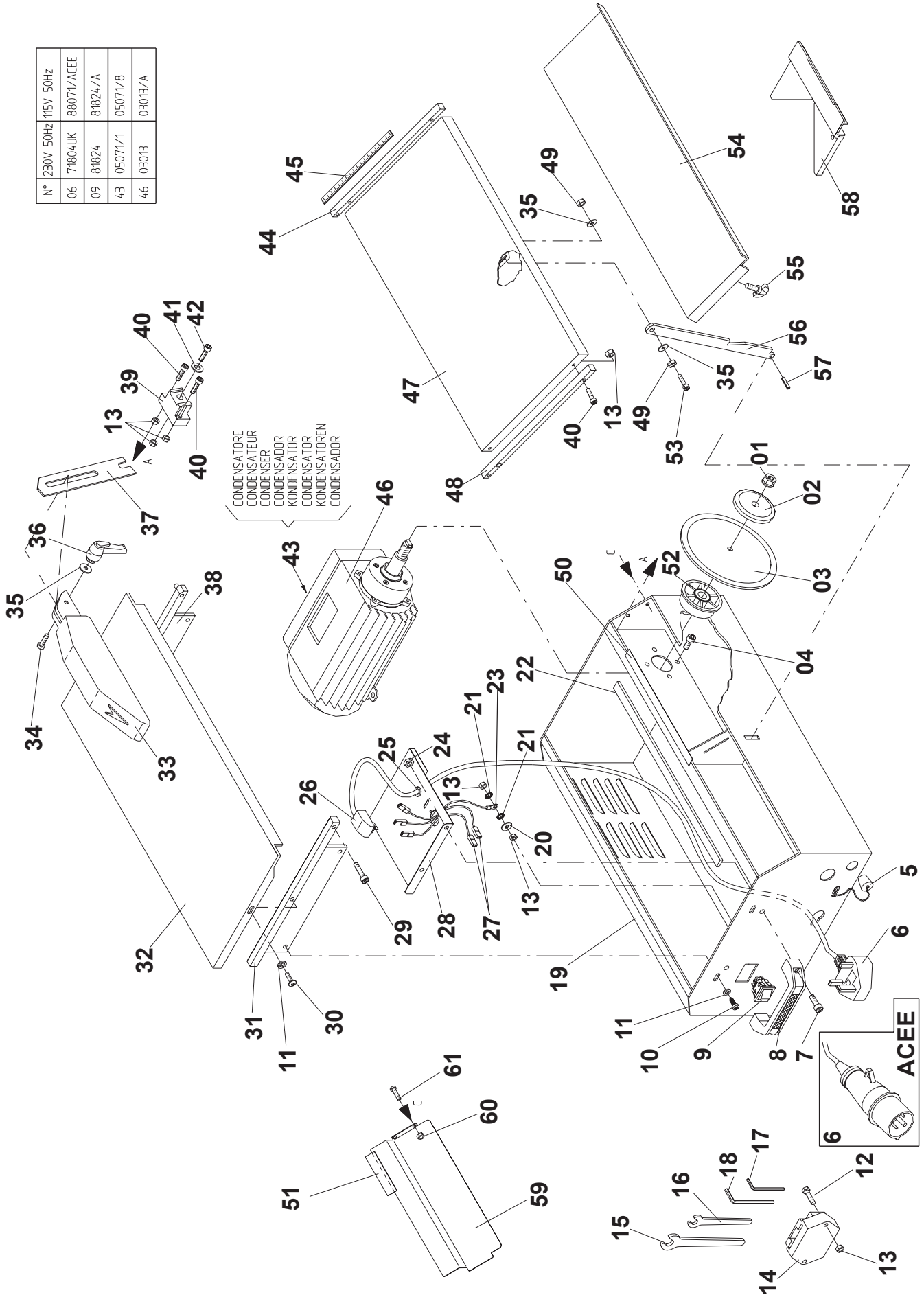
<sup>(1)</sup> Item Number / numéro sur le schéma / número de la ilustración / número da ilustração / afbeeldingsnummer / tegningsnummeret / Teil-Nummer / numero dell'illustrazione

<sup>(2)</sup> Part Number / Numéro de référence de la pièce / número de pieza / número da parte / stuknummer / Styknummer / Nummer auf der Abbildung / numero di parte

<sup>(3)</sup> Description / Désignation / Descripción / Descrição / Omschrijving / Beskrivelse / Bezeichnung / Descrizione

# Minitile 230

N°	230V 50Hz	115V 50Hz
06	71804UK	86071/ALEE
09	81824	81824/A
43	05071/1	05071/8
46	0301B	0301B/A



# Minitile 230

ITEM NUMBER <sup>(1)</sup>	PART NUMBER <sup>(2)</sup>	DESCRIPTION <sup>(3)</sup>
1	8/12002	NUT (M12)
2	-	EXTERNAL FLANGE
3	156.0.058	DIAMOND DISC 230MM X 25MM BORE
4	156.0.096	SCREW (M6 X 12)
5	156.0.074	DRAIN PLUG
6	156.0.044	PLUG & CABLE - ACEE (110V)
6	156.0.052	PLUG & CABLE - UK (230V)
7	156.0.050	SCREW (M8 X 12)
8	156.0.051	HANDLE
9	156.0.092	SWITCH (115V)
9	156.0.075	SWITCH (230V)
10	156.0.076	SCREW (M6 X 10)
11	4/6001	WASHER (M6)
12	156.0.078	SCREW (M5 X 20)
13	156.0.046	NUT (M5)
14	156.0.069	TOOL HOLDER
15	156.0.070	HEXAGONAL KEY (M19)
16	156.0.097	SPANNER (7MM)
17	156.0.079	HEXAGONAL KEY (M3)
18	156.0.110	HEXAGONAL KEY (M5)
19	156.0.098	STEEL BODY
20	156.0.083	WASHER (M5)
21	4/8006	WASHER (M8)
22	156.0.073	WASHER
23	156.0.080	EARTH LEAD
24	8/8001	NUT (M8)
25	156.0.081	CABLE INSERT
26	156.0.082	TERMINAL BLOCK
27	156.0.084	POWER CABLE
28	156.0.085	INTERNAL BASE PLATE
29	156.0.086	SCREW (M6 X 25)
30	156.0.053	SCREW (M5 X 10)
31	156.0.072	LH SUPPORT - MOBILE TABLE
32	156.0.099	WORKING TABLE
33	156.0.100	DISC GUARD
34	156.0.111	SCREW (M6 X 20)
35	156.0.089	WASHER
36	156.0.112	LEVER
37	156.0.101	DISC GUARD SUPPORT
38	156.0.071	RH SUPPORT - MOBILE TABLE
39	156.0.102	DISC GUARD SUPPORT BRACKET
40	156.0.049	SCREW (M5 X 16)
41	156.0.103	WASHER (M5 X 15)
42	156.0.056	SCREW (M5 X 20)
43	156.0.105	CAPACITOR (115V)
43	156.0.104	CAPACITOR (230V)
44	156.0.113	RH LATERAL MOBILE SUPPORT
45	156.0.088	SCALE MEASUREMENT
46	156.0.107	MOTOR (115V 50HZ)
46	156.0.106	MOTOR (230V 50HZ)
47	156.0.108	MOBILE TABLE
48	156.0.114	LH LATERAL MOBILE SUPPORT
49	156.0.047	NUT (M6)
50	156.0.087	WATER SPRAY PROTECTOR
51	156.0.087	WATER SPRAY PROTECTOR
52	-	INTERNAL FLANGE
53	156.0.090	SCREW (M6 X 22)
54	156.0.116	MOBILE TABLE EXTENSION
55	156.0.091	WING NUT
56	156.0.117	MOBILE TABLE SUPPORT ROD
57	156.0.118	RUBBER PIN
58	156.0.045	DIAGONAL FENCE
59	156.0.062	STEEL PROTECTION DISC
60	156.0.055	NUT (M4)
61	156.0.093	SCREW (M4 X 6)

<sup>(1)</sup> Item Number / numéro sur le schéma / número de la ilustración / número da ilustração / afbeeldingsnummer / tegningsnummeret / Teil-Nummer / numero dell'illustrazione

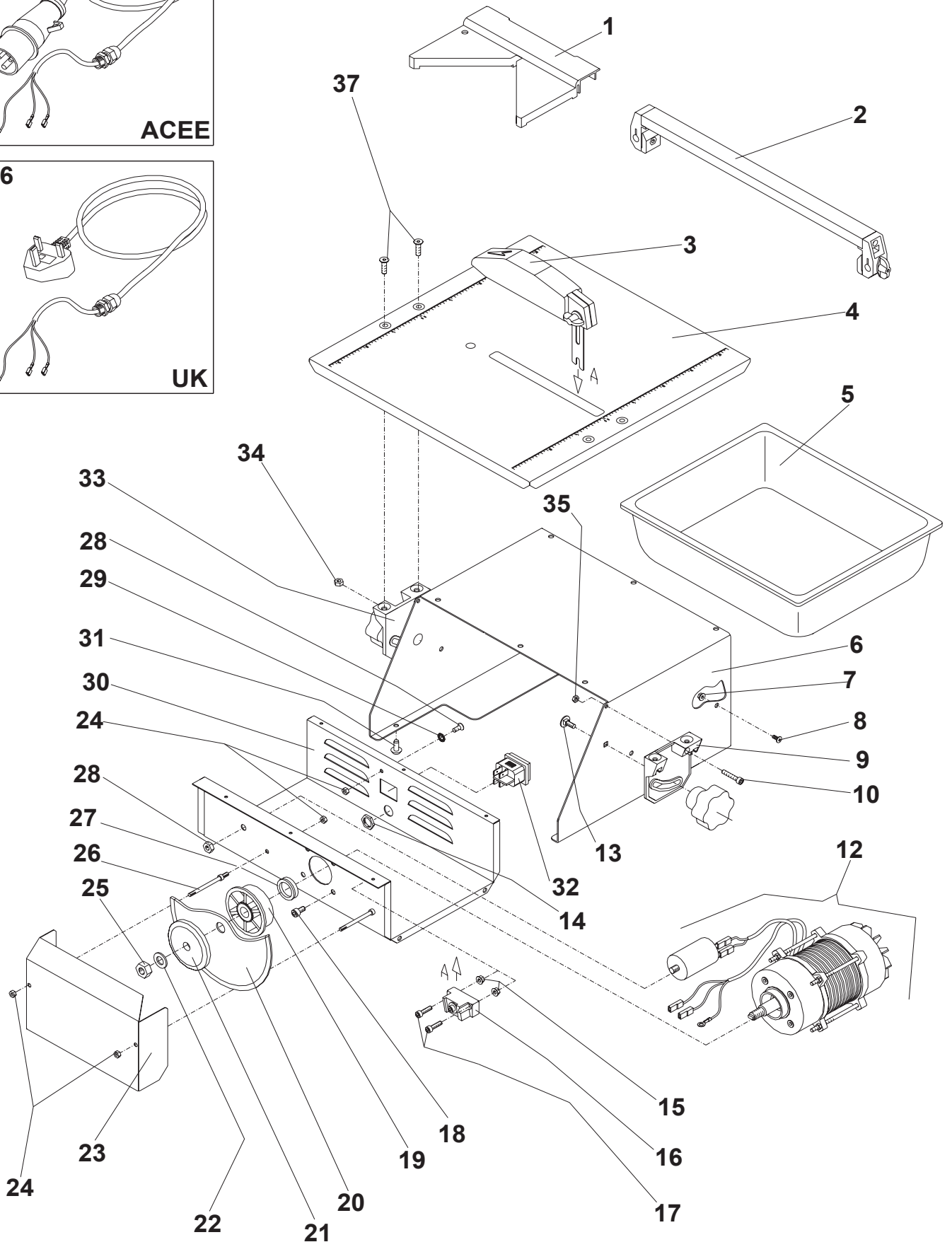
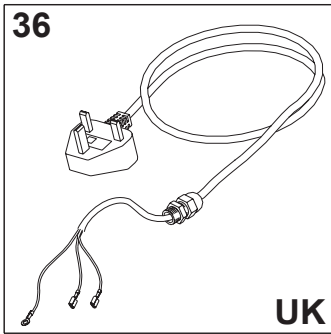
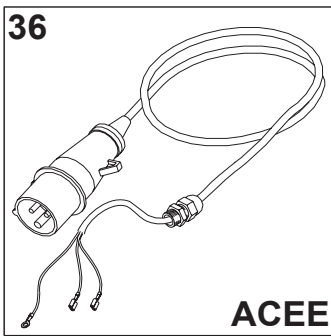
<sup>(2)</sup> Part Number / Numéro de référence de la pièce / número de pieza / número da parte / stuknummer / Styknummer / Nummer auf der Abbildung / numero di parte

<sup>(3)</sup> Description / Désignation / Descripción / Descrição / Omschrijving / Beskrivelse / Bezeichnung / Descrizione



# Magiktile 180

N°	230V 50Hz	115V 50Hz
12	81807E	81807E/A
36	71804UK	81871/ACEE



# Magiktile 180

ITEM NUMBER <sup>(1)</sup>	PART NUMBER <sup>(2)</sup>	DESCRIPTION <sup>(3)</sup>
1	156.0.045	DIAGONAL FENCE
2	156.0.225	SLIDING GUIDE
3	156.0.034	DISC GUARD
4	156.0.226	CUTTING TABLE
5	156.0.227	WATER TANK
6	156.0.228	MAIN BODY
7	156.0.229	NUT
8	156.0.230	SCREW
9	156.0.010	RIGHT EAR
10	156.0.056	SCREW (M5 X 20)
11	156.0.012	KNOB
12	156.0.239	MOTOR ASSEMBLY (115V)
12	156.0.231	MOTOR ASSEMBLY (230V)
13	156.0.017	ROUND HEAD SCREW (M6 X 16)
14	156.0.232	CABLE RETAINING NUT
15	156.0.015	FLANGED NUT (M5)
16	156.0.039	DISC GUARD SUPPORT BRACKET
17	156.0.049	SCREW (M5 X 16)
18	156.0.040	SCREW (M6 X 8)
19	156.0.233	INTERNAL FLANGE
20	156.0.234	DIAMOND DISC (MAGIK 180)
21	156.0.235	EXTERNAL FLANGE
22	156.0.198	WASHER (12MM)
23	156.0.236	OUTER COVER
24	156.0.046	NUT (M5)
25	156.0.237	BLADE RETAINING NUT
26	156.0.016	INTERIOR SUPPORT BOLT
27	156.0.019	V SEAL
28	8/8001	NUT (M8)
29	4/8006	WASHER (M8)
30	156.0.238	MOTOR COVER
31	156.0.033	RUBBER FEET
32	156.0.023	SWITCH
33	156.0.013	LEFT EAR
34	156.0.047	NUT M6
35	156.0.011	AUTOFIXING NUT (M5)
36	156.0.044	PLUG & CABLE - ACEE (110V)
36	156.0.052	PLUG & CABLE - UK (230V)
37	156.0.007	SCREW (M6 X 16)
38	156.0.053	SCREW (M5 X 10)

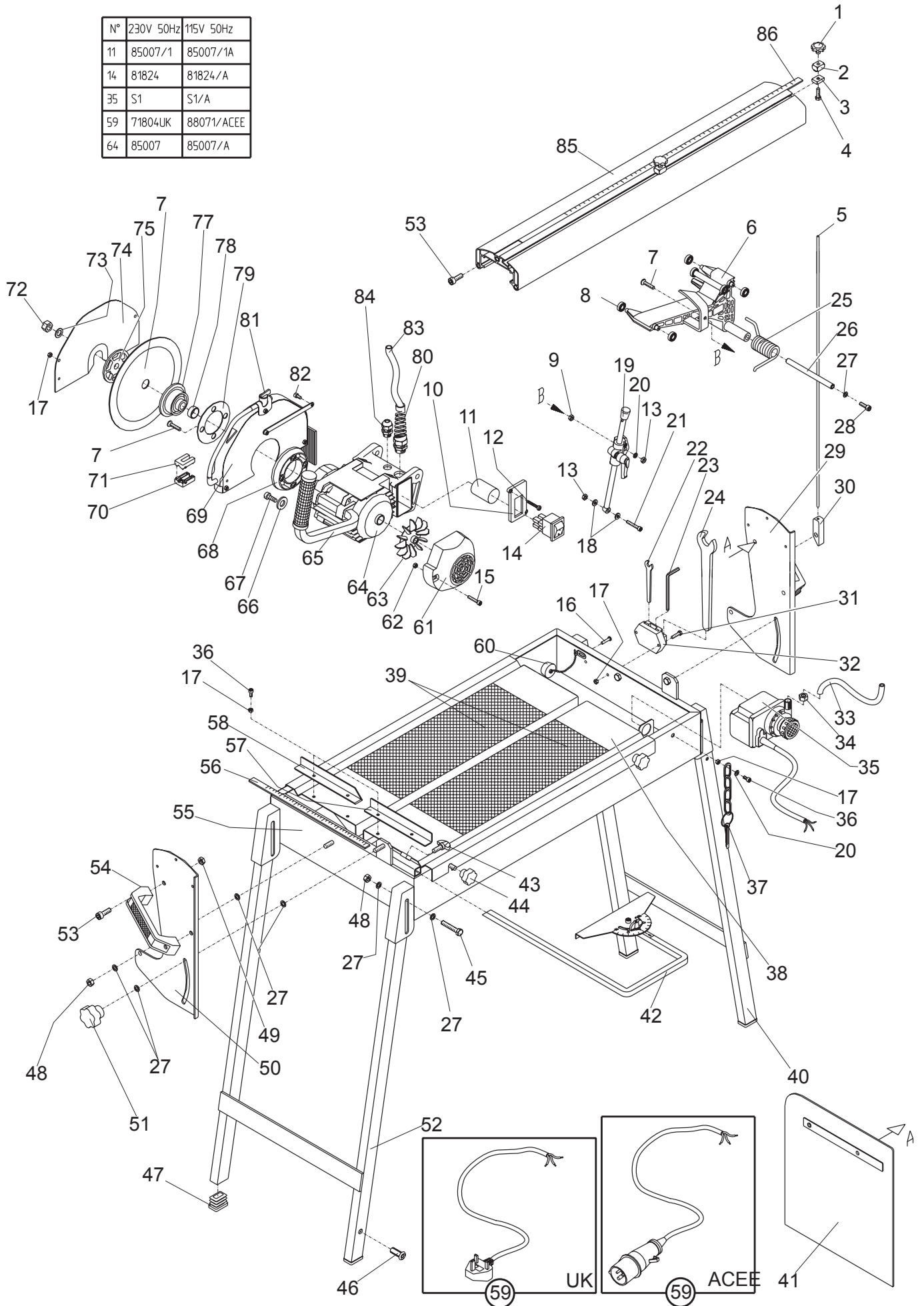
<sup>(1)</sup> **Item Number** / numéro sur le schéma / número de la ilustración / número da ilustração / afbeeldingsnummer / tegningsnummeret / Teil-Nummer / numero dell'illustrazione

<sup>(2)</sup> **Part Number** / Numéro de référence de la pièce / número de pieza / número da parte / stuknummer / Styknummer / Nummer auf der Abbildung / numero di parte

<sup>(3)</sup> **Description** / Désignation / Descripción / Descrição / Omschrijving / Beskrivelse / Bezeichnung / Descrizione

# Maxitile 260

N°	230V 50Hz	115V 50Hz
11	85007/1	85007/1A
14	81824	81824/A
35	S1	S1/A
59	71804UK	88071/ACEE
64	85007	85007/A



# Maxitile 260

ITEM NUMBER <sup>(1)</sup>	PART NUMBER <sup>(2)</sup>	DESCRIPTION <sup>(3)</sup>	ITEM NUMBER <sup>(1)</sup>	PART NUMBER <sup>(2)</sup>	DESCRIPTION <sup>(3)</sup>
1	156.0.145	KNOB	59	156.0.044	PLUG & CABLE (110V)
2	156.0.146	LOCKING (ABOVE INDICATOR)		156.0.052	PLUG & CABLE (230V)
3	156.0.147	LOCKING (BELOW INDICATOR)	60	156.0.074	DRAIN PLUG
4	156.0.111	SCREW (M6 X 20)	61	156.0.186	MOTOR FAN COVER
5	156.0.148	ROD WATER PIPE	62	156.0.046	NUT (M5)
6	156.0.149	ENGINE SLIDE	63	156.0.187	MOTOR COOLING FAN
7	156.0.150	SCREW (M6 X 25)	64	156.0.189	MOTOR (115V 50HZ)
8	156.0.151	BEARING		156.0.188	MOTOR (230V 50HZ)
9	8/6001	NUT (M6)	65	156.0.190	WORKING HANDLE
10	156.0.153	SWITCH MOUNTING PLATE	66	156.0.191	WASHER (6 X 24)
11	156.0.155	CAPACITOR (115V)	67	156.0.192	RAPID FIXING SCREW
11	156.0.154	CAPACITOR (230V)	68	156.0.193	SPACER
12	156.0.156	SCREW (M4 X 12)	69	156.0.194	DISC GUARD
13	156.0.157	AUTOFIXING NUT (M6)	70	156.0.195	SPRAY (FEMALE)
14	156.0.092	SWITCH (115V)	71	156.0.196	SPRAY (MALE)
14	156.0.075	SWITCH (230V)	72	8/12003	NUT (M12 L/H)
15	156.0.158	SCREW (M5 X 25)	73	156.0.198	WASHER (12MM)
16	156.0.159	SCREW RIVETS (9X9)	74	156.0.199	EXTERIOR DISC GUARD COVER
17	156.0.015	FLANGED NUT (M5)	75	156.0.042	EXTERNAL FLANGE
18	156.0.160	PLASTIC WASHER	76	156.0.057	DIAMOND DISC
19	156.0.161	STOP/RUN LEVER COMPLETE	77	156.0.041	INTERNAL FLANGE
20	4/6001	WASHER (M6)	78	156.0.019	V SEAL
21	156.0.162	SCREW (M6 X 30)	79	156.0.200	SPACER
22	156.0.163	8MM WRENCH	80	156.0.201	CABLE STOP
23	156.0.110	HEXAGONAL KEY (M5)	81	156.0.202	VALVE
24	156.0.070	HEXAGONAL KEY (M19)	82	156.0.203	SCREW 5 X 30
25	156.0.164	TORSION SPRING	83	156.0.204	CABLE PUMP PROTECTION
26	156.0.165	FULCRUM PIN	84	156.0.205	CABLE STOP
27	4/8006	WASHER (M8)	85	156.0.222	RAIL
28	156.0.166	SCREW (M8 X 10)	86	156.0.223	SCALE MEASUREMENT
29	156.0.167	LEFT BRACKET			
30	156.0.168	WATER PIPE ROD HOLDER			
31	156.0.078	SCREW (M5 X 20)			
32	156.0.069	TOOL HOLDER			
33	156.0.169	WATER PIPE (9X6)			
34	156.0.170	METAL WASHER (9X6)			
35	156.0.172	WATER PUMP (115V)			
35	156.0.171	WATER PUMP (230V)			
36	156.0.184	SCREW (M5 X 8)			
37	156.0.209	LEG FIXING PIN			
38	156.0.210	WORKING TABLE			
39	156.0.224	RUBBER PAD			
40	156.0.211	INTERNAL LEG			
41	156.0.177	WATER SPRAY PROTECTION			
42	156.0.176	DIAGONAL FENCE COMPLETE			
43	156.0.174	KNOB			
44	156.0.175	KNOB			
45	156.0.213	SCREW (M8 X 40)			
46	156.0.214	BUSH TO FIT LEGS			
47	156.0.215	SCREW PLUG			
48	156.0.180	AUTOFIXING NUT (M8)			
49	8/8001	NUT (M8)			
50	156.0.178	RH BRACKET			
51	156.0.179	KNOB			
52	156.0.216	EXTERNAL LEG			
53	156.0.050	SCREW (M8 X 12)			
54	156.0.051	HANDLE			
55	156.0.217	STEEL BODY			
56	156.0.088	SCALE MEASUREMENT			
57	156.0.182	RIGHT TILE SUPPORT			
58	156.0.183	LEFT TILE SUPPORT			

<sup>(1)</sup> Item Number / numéro sur le schéma / número de la ilustración / número da ilustração / afbeeldingsnummer / tegningsnummeret / Teil-Nummer / numero dell'illustrazione

<sup>(2)</sup> Part Number / Numéro de référence de la pièce / número de pieza / número da parte / stuknummer / Styknummer / Nummer auf der Abbildung / numero di parte

<sup>(3)</sup> Description / Désignation / Descripción / Descrição / Omschrijving / Beskrivelse / Bezeichnung / Descrizione



# No.1 for Light Construction Equipment

[www.BelleGroup.com](http://www.BelleGroup.com)

**Belle Group Head Office**  
Sheen, nr. Buxton  
Derbyshire. SK17 OEU GB.  
Tel: +44 (0)1298 84000  
Fax: +44 (0)1298 84722  
email: [sales@belle-group.co.uk](mailto:sales@belle-group.co.uk)

**Belle Group France**  
70, av du Général de Gaulle  
94022 Creteil, Cedex.  
FRANCE  
Tel: +33 (0) 1 49 81 68 32  
Fax: +33 (0) 1 43 39 94 20  
Ventes : 0800 902 461  
SAV : 0800 905 336  
SAV Fax : 0800 909 895

**Belle Equipos SL**  
Calle Doctor Calero Cial 19,  
Local 22, 28220 Majadahonda  
Madrid, Spain  
Tel: +34 (0) 91 636 2043  
Fax: +34 (0) 91 634 1535  
email: [belleequipos@belleequipos.com](mailto:belleequipos@belleequipos.com)

**Belle Group Deutschland**  
Husumer Straße 45 a,  
D-33729,  
Bielefeld  
Deutschland  
Tel : +49(0) 5217 707505  
Fax : +49 (0) 5217 707506  
Sales: 0800 1808069  
Spares: 0800 1816673

**Belle Poland sp. z.o.o.**  
96-200 Rawa Mazowiecka  
Ul. Mszczonowska 36,  
Polska  
Tel: +48 (0) 46 8144091  
Fax: +48 (0) 46 8144700

**Belle Group Portugal**  
Rua Laura Alves, 225, 2° F  
2775-116 Parede  
Portugal  
Tel: +35 1 (21) 453 59 91  
Fax: +35 1 (21) 453 59 91

**Belle Group Netherlands**  
Tel: 0800 249861

**Belle Group Belgium**  
Tel: 0800 80295

**Belle Group Austria**  
Tel: 0800 291544

**Belle Group Russia**  
64 Nevsky pr.  
St, Petersburg  
Russia  
Tel : +7(812)314-81-34  
Moscow : +7(495)589-64-32

**Belle Group South East Asia**  
21, Jalan Ara AD 7/3B,  
Pandar Sri Damansara  
S2200 Kuala Lumpur, Malaysia  
Tel: +60 (0) 3 62721678  
+60 (0) 3 6272 9308  
Fax: +60 (0) 3 6272 9528

**Belle Group (GB), Shanghai Office**  
Room 213, Zhonghuang Building,  
1007 Zhongshan Nan Er Road,  
Xuhui, Shanghai 200030 China  
Tel: 00 - 86 - 21 - 5461 5228  
Mobile: 00 - 86 - 133 8172 2653  
Fax: 00 - 86 - 21 - 5461 5369  
email: [morgan.liu@bellegroup.com.cn](mailto:morgan.liu@bellegroup.com.cn)

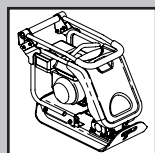
**Belle Group Inc**  
3959 Electric Rd  
Roanoke  
Suite 360  
VA 24018. USA.  
Tel: +1.540.345.5090  
Fax: +1.540.345.5091  
Toll free 866 540 5090  
e-mail: [sales@bellegroup.net](mailto:sales@bellegroup.net)



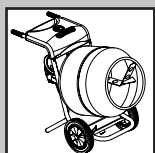
**Belle Group World Parts Centre**  
Unit 5, Bode Business Park  
Ball Haye Green,  
Leek,  
Staffordshire,  
ST13 8BW  
Tel: 44+ 1538 380000  
Fax: 44+ 1538 380038

[www.BelleGroup.com](http://www.BelleGroup.com)

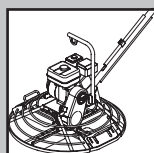
No.1 for Light Construction Equipment



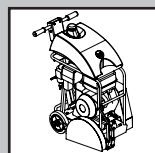
COMPACTING...



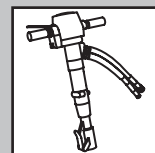
MIXING...



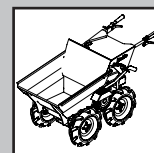
CONCRETING...



CUTTING...



BREAKING...



MOVING