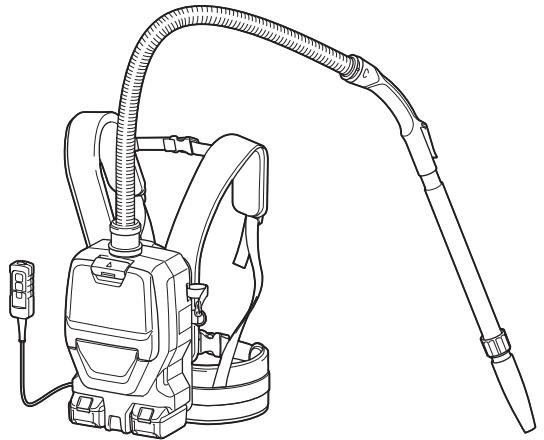


INSTRUCTION MANUAL



Cordless Backpack Vacuum Cleaner

DVC260



Read before use.

Created with



nitroPDF[®] professional

download the free trial online at nitropdf.com/professional

SPECIFICATIONS

Model:		DVC260
Capacity	Filter bag	2.0 L
	Dust bag	1.5 L
Maximum air volume		1.5 m ³ /min
Dimensions (L x W x H) (excluding the harness)		185 mm x 230 mm x 373 mm
Rated voltage		D.C. 36 V
Standard battery cartridge		BL1815N, BL1820, BL1820B BL1830, BL1830B, BL1840, BL1840B, BL1850, BL1850B, BL1860B
Net weight		3.8 kg 4.3 kg

- Due to our continuing program of research and development, the specifications herein are subject to change without notice.
- Specifications and battery cartridge may differ from country to country.
- Weight, with battery cartridge, according to EPTA-Procedure 01/2003

Symbols

The following show the symbols used for the equipment. Be sure that you understand their meaning before use.



Read instruction manual.



Only for EU countries
Do not dispose of electric equipment or battery pack together with household waste material! In observance of the European Directives, on Waste Electric and Electronic Equipment and Batteries and Accumulators and Waste Batteries and Accumulators and their implementation in accordance with national laws, electric equipment and batteries and battery pack(s) that have reached the end of their life must be collected separately and returned to an environmentally compatible recycling facility.

Intended use

The tool is intended for collecting dry dust. The tool is suitable for commercial use, for example in hotels, schools, hospitals, factories, shops, offices and rental businesses.

Noise

The typical A-weighted noise level determined according to 60332-2-69, 60704-2-1:

Sound pressure level (L_{pA}): 70 dB(A) or less

Uncertainty (K): 2.5 dB(A)

The noise level under working may exceed 80 dB (A).

WARNING: Wear ear protection.

Vibration

The vibration total value (tri-axial vector sum) determined according to 60335-2-69:

Work mode: operation without load

Vibration emission (a_h): 2.5 m/s² or less

Uncertainty (K): 1.5 m/s²

NOTE: The declared vibration emission value has been measured in accordance with the standard test method and may be used for comparing one tool with another.

NOTE: The declared vibration emission value may also be used in a preliminary assessment of exposure.

WARNING: The vibration emission during actual use of the power tool can differ from the declared emission value depending on the ways in which the tool is used.

WARNING: Be sure to identify safety measures to protect the operator that are based on an estimation of exposure in the actual conditions of use (taking account of all parts of the operating cycle such as the times when the tool is switched off and when it is running idle in addition to the trigger time).

EC Declaration of Conformity

For European countries only

Makita declares that the following Machine(s):

Designation of Machine: Cordless Backpack Vacuum Cleaner

Model No./ Type: DVC260

Conforms to the following European Directives:

2006/42/EC

They are manufactured in accordance with the following standard or standardized documents: EN60335

The technical file in accordance with 2006/42/EC is available from:

Makita, Jan-Baptist Vinkstraat 2, 3070, Belgium

8.9.2015

Yasushi Fukaya

Yasushi Fukaya

Director

Makita, Jan-Baptist Vinkstraat 2, 3070, Belgium



nitro PDF professional

download the free trial online at nitropdf.com/professional

SAFETY WARNINGS

Cordless vacuum cleaner safety warnings

⚠ WARNING: IMPORTANT! READ CAREFULLY all safety warnings and all instructions BEFORE USE. Failure to follow the warnings and instructions may result in electric shock, fire and/or serious injury.

1. Before use, make sure that this cleaner must be used by people who have been adequately instructed on the use of this cleaner.
2. Do not use the cleaner without the filter. Replace a damaged filter immediately.
3. Do not attempt to pick up flammable materials, fire works, lighted cigarettes, hot ashes, hot metal chips, sharp materials such as razors, needles, broken glass or the like.
4. NEVER USE THE CLEANER IN THE VICINITY OF GASOLINE, GAS, PAINT, ADHESIVES OR OTHER HIGHLY EXPLOSIVE SUBSTANCES. The switch emits sparks when turned ON and OFF. And so does the motor commutator during operation. A dangerous explosion may result.
5. Never vacuum up toxic, carcinogenic, combustible or other hazardous materials such as asbestos, arsenic, barium, beryllium, lead, pesticides, or other health endangering materials.
6. Never use the cleaner outdoors in the rain.
7. Do not use close to heat sources (stoves, etc.).
8. Do not block cooling vents. These vents permit cooling of the motor. Blockage should be carefully avoided otherwise the motor will burn out from lack of ventilation.
9. Keep proper footing and balance at all times.
10. Do not fold, tug or step on the hose.
11. Stop the cleaner immediately if you notice poor performance or anything abnormal during operation.
12. DISCONNECT THE BATTERIES. When not in use, before servicing, and when changing accessories.
13. Clean and service the cleaner immediately after each use to keep it in tiptop operating condition.
14. MAINTAIN THE CLEANER WITH CARE. Keep the cleaner clean for better and safer performance. Follow instructions for changing accessories. Keep handles dry, clean, and free from oil and grease.
15. CHECK DAMAGED PARTS. Before further use of the cleaner, a guard or other part that is damaged should be carefully checked to determine that it will operate properly and perform its intended function. Check for alignment of moving parts, binding of moving parts, breakage of parts, mounting, and any other conditions that may affect its operation. A guard or other part that is damaged should be repaired or replaced by an authorized service center unless otherwise indicated elsewhere

in this instruction manual. Have defective switches replaced by authorized service center. Don't use the cleaner if switch does not turn it on and off.

16. REPLACEMENT PARTS. When servicing, use only identical replacement parts.
17. STORE IDLE CLEANER. When not in use, the cleaner should be stored indoors.
18. Be kind to your cleaner. Rough handling can cause breakage of even the most sturdily built cleaner.
19. Do not attempt to clean the exterior or interior with benzine, thinner or cleaning chemicals. Cracks and discoloration may be caused.
20. Do not use cleaner in an enclosed space where flammable, explosive or toxic vapors are given off by oil-base paint, paint-thinner, gasoline, some mothproofing substances, etc., or in areas where flammable dust is present.
21. Do not operate the cleaner while under the influence of drugs or alcohol.
22. As a basic rule of safety, use safety goggles or safety glasses with side shields.
23. Use a dust mask in dusty work conditions.
24. This machine is not intended for use by persons including children with reduced physical, sensory or mental capabilities, or lack of experience and knowledge.
25. Young children should be supervised to ensure that they do not play with the cleaner.
26. Never handle batteries and cleaner with wet hands.
27. Use extreme caution when cleaning on stairs.
28. Do not use the cleaner as a stool or work bench. The machine may fall down and may result in personal injury.

Service

1. Have your power tool serviced by a qualified repair person using only identical replacement parts. This will ensure that the safety of the power tool is maintained.
2. Follow instruction for lubricating and changing accessories.
3. Keep handles dry, clean and free from oil and grease.

Important safety instructions for battery cartridge

1. Before using battery cartridge, read all instructions and cautionary markings on (1) battery charger, (2) battery, and (3) product using battery.
2. Do not disassemble battery cartridge.
3. If operating time has become excessively shorter, stop operating immediately. It may result in a risk of overheating, possible burns and even an explosion.
4. If electrolyte gets into your eyes, rinse them out with clean water and seek medical attention right away. It may result in loss of your eyesight.



nitroPDF professional

download the free trial online at nitropdf.com/professional

5. **Do not short the battery cartridge:**
 - (1) **Do not touch the terminals with any conductive material.**
 - (2) **Avoid storing battery cartridge in a container with other metal objects such as nails, coins, etc.**
 - (3) **Do not expose battery cartridge to water or rain.**

A battery short can cause a large current flow, overheating, possible burns and even a breakdown.

6. **Do not store the tool and battery cartridge in locations where the temperature may reach or exceed 50 °C (122 °F).**
7. **Do not incinerate the battery cartridge even if it is severely damaged or is completely worn out. The battery cartridge can explode in a fire.**
8. **Be careful not to drop or strike battery.**
9. **Do not use a damaged battery.**
10. **The contained lithium-ion batteries are subject to the Dangerous Goods Legislation requirements.**

For commercial transports e.g. by third parties, forwarding agents, special requirement on packaging and labeling must be observed. For preparation of the item being shipped, consulting an expert for hazardous material is required. Please also observe possibly more detailed national regulations.

Tape or mask off open contacts and pack up the battery in such a manner that it cannot move around in the packaging.

11. **Follow your local regulations relating to disposal of battery.**

SAVE THESE INSTRUCTIONS.

CAUTION: Only use genuine Makita batteries. Use of non-genuine Makita batteries, or batteries that have been altered, may result in the battery bursting causing fires, personal injury and damage. It will also void the Makita warranty for the Makita tool and charger.

Tips for maintaining maximum battery life

1. **Charge the battery cartridge before completely discharged. Always stop tool operation and charge the battery cartridge when you notice less tool power.**
2. **Never recharge a fully charged battery cartridge. Overcharging shortens the battery service life.**
3. **Charge the battery cartridge with room temperature at 10 °C - 40 °C (50 °F - 104 °F). Let a hot battery cartridge cool down before charging it.**
4. **Charge the battery cartridge if you do not use it for a long period (more than six months).**

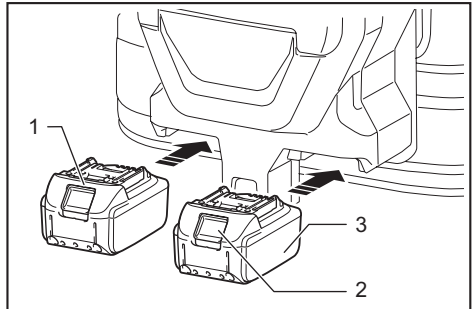
FUNCTIONAL DESCRIPTION

CAUTION: Always be sure that the tool is switched off and the battery cartridge is removed before adjusting or checking function on the tool.

Installing or removing battery cartridge

CAUTION: Always switch off the tool before installing or removing of the battery cartridge.

CAUTION: Hold the tool and the battery cartridge firmly when installing or removing battery cartridge. Failure to hold the tool and the battery cartridge firmly may cause them to slip off your hands and result in damage to the tool and battery cartridge and a personal injury.



► 1. Red indicator 2. Button 3. Battery cartridge

To remove the battery cartridge, slide it from the tool while sliding the button on the front of the cartridge.

To install the battery cartridge, align the tongue on the battery cartridge with the groove in the housing and slip it into place. Insert it all the way until it locks in place with a little click. If you can see the red indicator on the upper side of the button, it is not locked completely.

CAUTION: Always install the battery cartridge fully until the red indicator cannot be seen. If not, it may accidentally fall out of the tool, causing injury to you or someone around you.

CAUTION: Do not install the battery cartridge forcibly. If the cartridge does not slide in easily, it is not being inserted correctly.

Tool / battery protection system

The tool is equipped with a tool/battery protection system. This system automatically cuts off power to the motor to extend tool and battery life. The tool will automatically stop during operation if the tool or battery is placed under one of the following conditions.

Created with



nitroPDF

professional

download the free trial online at nitropdf.com/professional

Overload protection

When the tool is operated in a manner that causes it to draw an abnormally high current, the tool automatically stops without any indication. In this situation, turn the tool off and stop the application that caused the tool to become overloaded. Then turn the tool on to restart.

Overheat protection

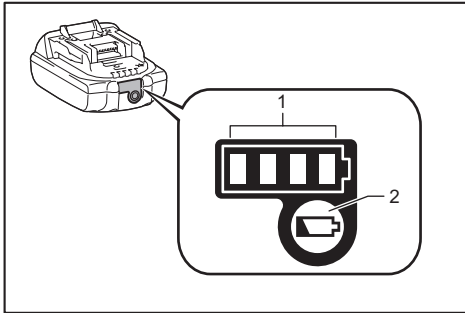
When the tool is overheated, the tool stops automatically. Let the tool cool down before turning the tool on again.

Overdischarge protection

When the battery capacity becomes low, the tool stops automatically. If the product does not operate even when the switches are operated, remove the batteries from the tool and charge the batteries.

Indicating the remaining battery capacity

Only for battery cartridges with "B" at the end of the model number



► 1. Indicator lamps 2. Check button

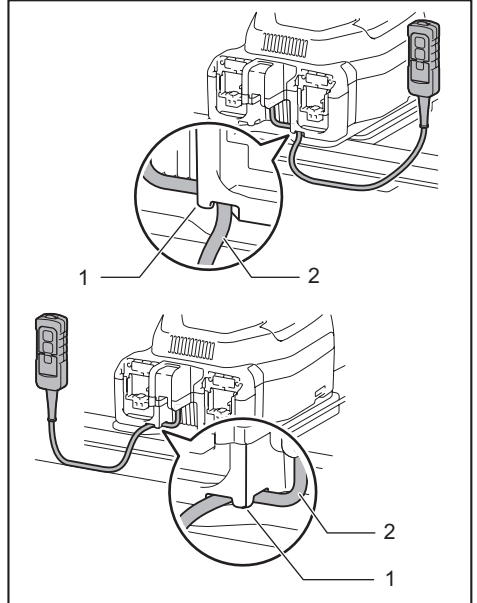
Press the check button on the battery cartridge to indicate the remaining battery capacity. The indicator lamps light up for few seconds.

Indicator lamps			Remaining capacity
Lighted	Off	Blinking	
■ ■ ■ ■			75% to 100%
■ ■ ■ □			50% to 75%
■ ■ □ □			25% to 50%
■ □ □ □			0% to 25%
▣ □ □ □			Charge the battery.
■ ■ □ □			The battery may have malfunctioned.
□ □ ■ ■	↑ ↓		

NOTE: Depending on the conditions of use and the ambient temperature, the indication may differ slightly from the actual capacity.

Switch box position

The switch box can be hooked on either side of the lower belt. Arrange the cord so that the switch box comes to your desired side. To prevent the cord from being damaged, pass the cord through the hook as illustrated.

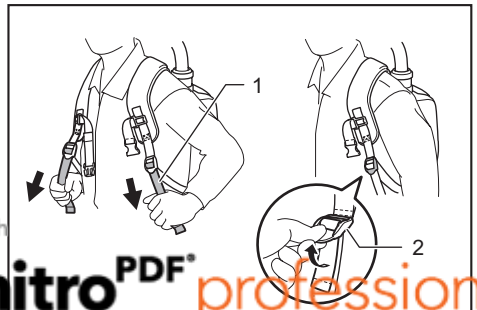


► 1. Hook 2. Cord

Adjusting belts

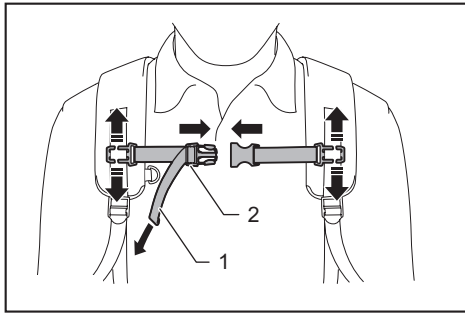
The tightness of the shoulder belts, upper and lower belts can be adjusted. Put your arms through the shoulder belts first then fasten the upper and lower belts. To tighten, pull the end of the strap as illustrated. To loosen, pull up the end of the fastener.

Shoulder belts



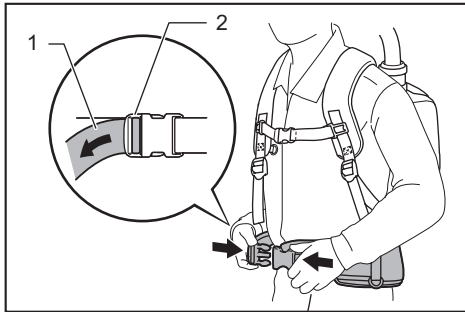
► 1. Strap 2. Fastener

Upper belt



- 1. Strap 2. Fastener

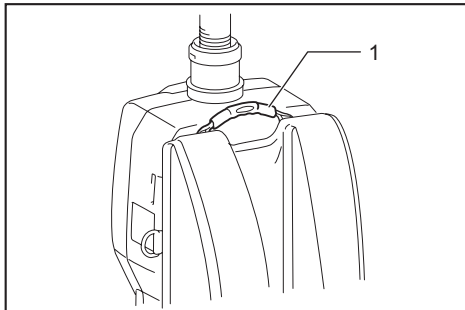
Lower belt



- 1. Strap 2. Fastener

Carrying hook

Always grab the carrying hook when handling the vacuum cleaner body.

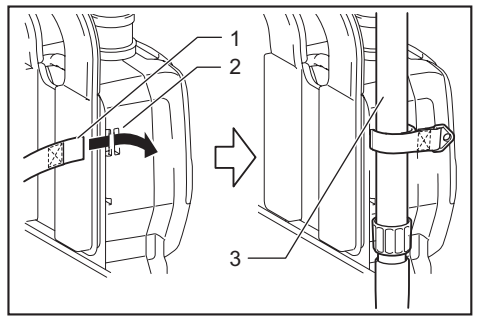


- 1. Carrying hook

Hose band

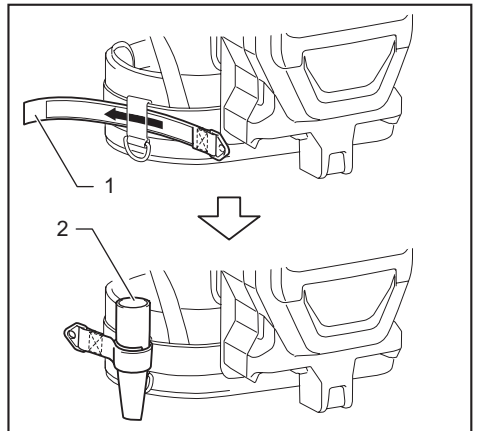
Hose band can be used for holding the wand or free nozzle.

To secure the wand to the vacuum cleaner body, pass the hose band through the slot on the body. You can attach the hose band on either side.



- 1. Hose band 2. Slot 3. Extension wand

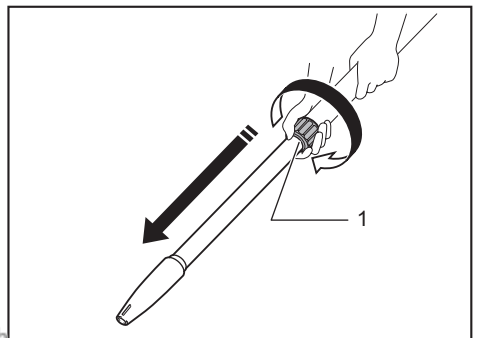
To hold the free nozzle on the lower belt, pass the hose band through the loop on the lower belt.



- 1. Hose band 2. Free nozzle

Extension wand

The length of the wand can be adjusted. Loosen the ring on the wand and adjust the wand length. Tighten the ring at your desired length.



- 1. Ring


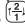

Created with

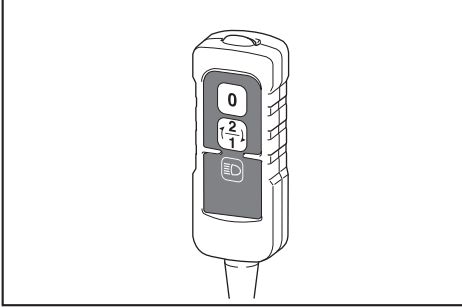


nitroPDF professional



download the free trial online at nitropdf.com/professional

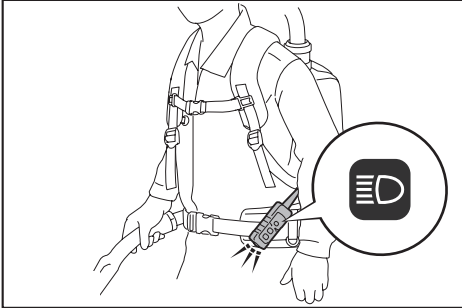
Switch action

To start the cleaning, press  button once. The vacuum cleaner will start in higher suction power (2). If you want to lower the suction power, press  button one more time. The vacuum cleaner will operate in normal suction power (1). When you press the button while the vacuum cleaner is running, the suction power switches between higher and normal suction power. To turn off the vacuum cleaner, press  button.



LED light

LED light is installed in the head of the switch box to ease the operations in dark places. Press  button to turn the light on. To turn off, press  button again.



CAUTION: Do not look in the light or see the source of light directly. Never aim the light to other people's eyes.

NOTE: The LED light is automatically turned off when the vacuum cleaner is not operated for more than 10 minutes.

NOTE: The vacuum cleaner will automatically switches off and the LED light flashes when the vacuum cleaner is overheated due to the reduced air-flow into the machine caused by clogged hose, pipe, filter or other reasons.

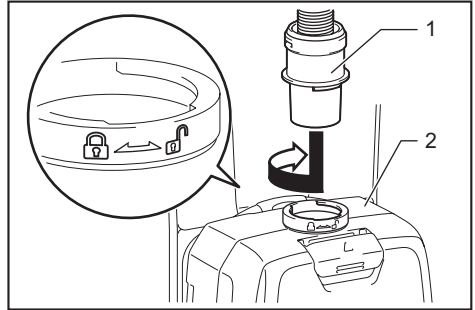
ASSEMBLY

CAUTION: Always be sure that the tool is switched off and the battery cartridge is removed before carrying out any work on the tool.

Assembling hose/wand/nozzle

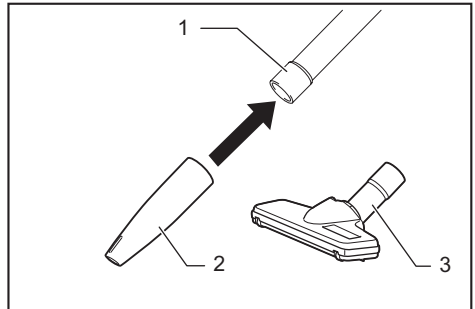
Connect the vacuum cleaner body with the hose, wand and nozzle. Insert the hose cuff into the vacuum cleaner body and turn it clockwise. Connect the nozzle to the extension wand. After that, shoulder the vacuum cleaner body then connect the hose with the extension wand.

Connecting vacuum cleaner body and hose



► 1. Hose cuff 2. Vacuum cleaner body

Connecting extension wand and nozzle



► 1. Extension wand 2. Free nozzle 3. T-shape nozzle

NOTE: The free nozzle can be attached directly to the hose.

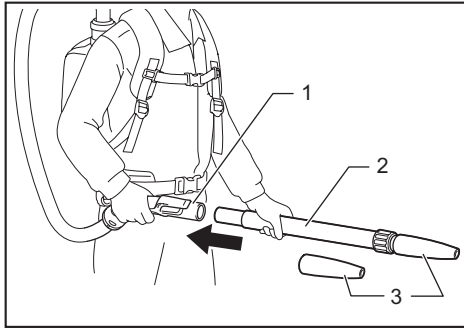
Created with



nitroPDF professional

download the free trial online at nitropdf.com/professional

Connecting hose and extension wand



- 1. Hose 2. Extension wand 3. Free nozzle

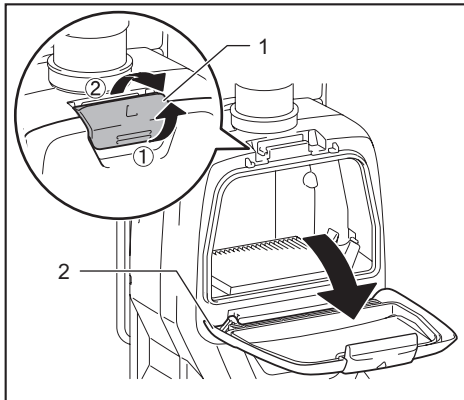
NOTE: The free nozzle can be attached to the hose directly.

Installing filter bag

CAUTION: Do not use a damaged filter bag. Always use the vacuum cleaner with the filter bag properly installed. Otherwise the vacuumed dust or particles may be exhausted from the cleaner and they may cause respiratory disease to the operator.

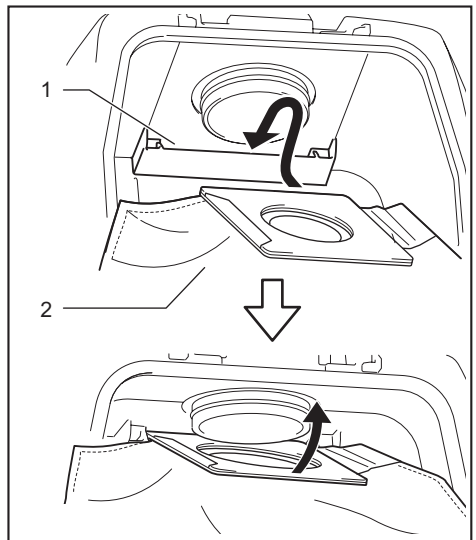
NOTICE: When the filter bag is already full, replace with new one. Continuous use with the filter bag full results in reduced suction power.

1. Unlock the latch by lifting the bottom side. Push the grooved area to lift the front latching side. Pull the latch to open the lid.



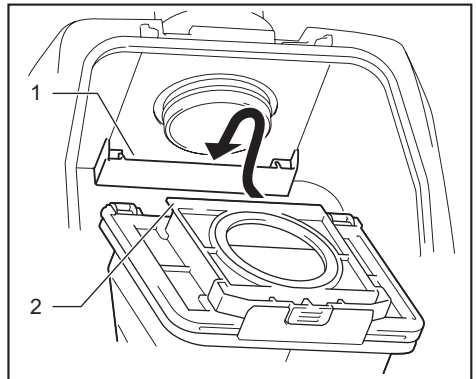
- 1. Hook 2. Lid

2. Insert the filter bag into the slit on the upper side of the room as illustrated.



- 1. Slit 2. Filter bag / Dust bag

When using the dust bag (optional accessory), insert the brim of the dust bag into the slit.



- 1. Slit 2. Brim

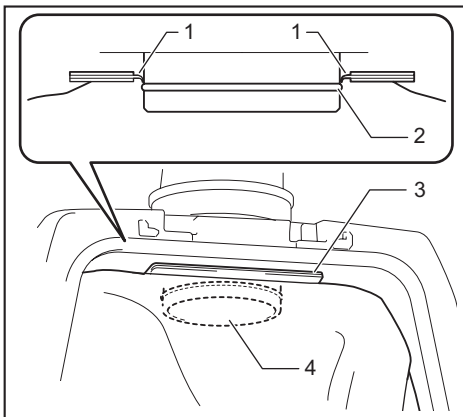
3. Align the hole of the filter bag with the hose cuff and push the cardboard portion to the end. Make sure that the rubber ring on the filter bag goes over the rim on the hose cuff.

Created with



nitroPDF professional

download the free trial online at nitropdf.com/professional



- 1. Rubber ring on the filter bag 2. Rim on the hose cuff 3. Cardboard portion of the filter bag 4. Hose cuff

OPERATION

⚠ WARNING: Operators shall be adequately instructed on the use of the vacuum cleaner.

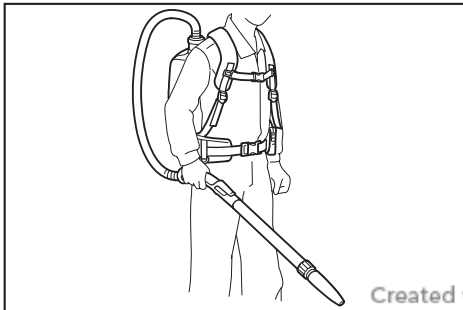
⚠ WARNING: This vacuum cleaner is not suitable for picking up hazardous dust.


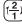

⚠ CAUTION: This cleaner is for dry use only.

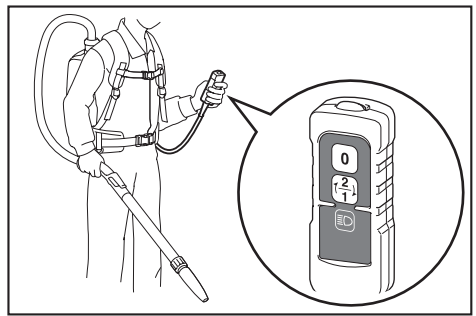
⚠ CAUTION: This cleaner is for indoor use only.

⚠ CAUTION: Always insert the battery cartridge all the way until it locks in place. If you can see the red indicator on the upper side of the button, it is not locked completely. Insert it fully until the red indicator cannot be seen. If not, it may accidentally fall out of the tool, causing injury to you or someone around you.

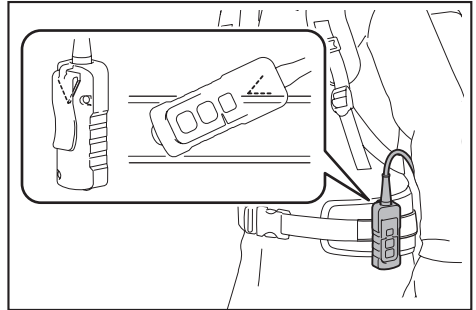
1. Shoulder the vacuum cleaner body and fasten upper and lower belts. Adjust the tightness as necessary.



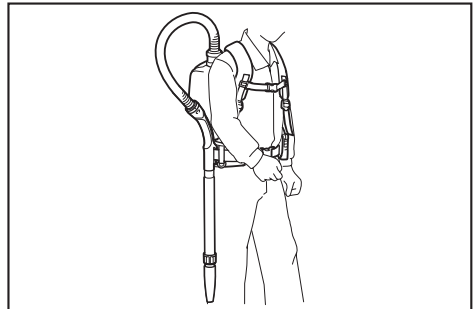
2. Press  button to start cleaning. If you lower the suction power, press  button one time. Press  button to stop.



During cleaning, hook the switch box on the lower belt. The hook can be slanted for lighting forward.



When you suspend the operation, the hook on the hose can be used for hanging the wand on the lower belt.



NOTE: The vacuum cleaner will automatically switches off and the LED light flashes when the vacuum cleaner is overheated due to the reduced air-flow into the machine caused by clogged hose, pipe, filter or other reasons. In this case, remove the cause of the problem and cool the vacuum cleaner before restarting.

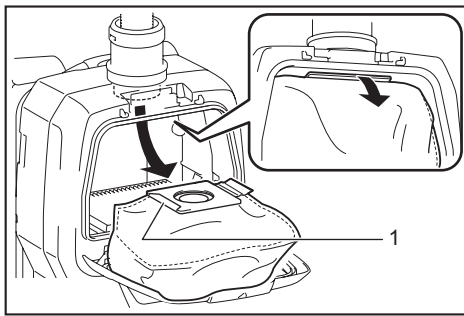
3. Replace the filter bag when it becomes full. Open the lid and take out the filter bag. Pull the strip on the side of the opening to shut the filter bag and dispose of the filter bag in whole.

Created with



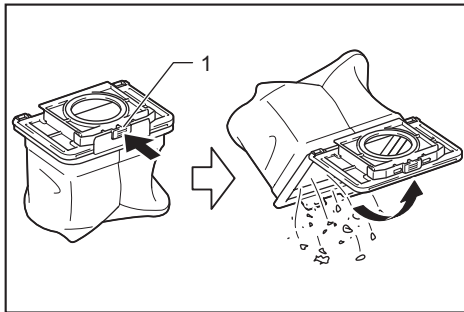
nitroPDF professional

download the free trial online at nitropdf.com/professional



► 1. Strip

When using a dust bag (optional accessory), take out the dust bag and dispose of the dust by releasing the latch.



► 1. Latch

NOTICE: Periodically check the filter bag if it is full. Continuous use with the filter bag full results in reduced suction power.

NOTICE: Do not use an used filter bag. The filter bag is designed for single use. If you want to use the bag repeatedly, use a dust bag (optional accessory).

MAINTENANCE

CAUTION: Always be sure that the tool is switched off and the battery cartridge is removed before attempting to perform inspection or maintenance.

NOTICE: Never use gasoline, benzine, thinner, alcohol or the like. Discoloration, deformation or cracks may result.

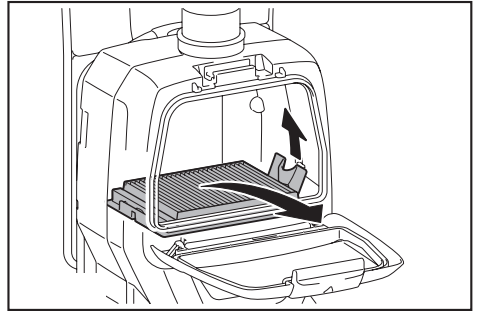
Cleaning the filter

CAUTION: Do not use the vacuum cleaner without a filter or continue to use dirty or damaged filter. Vacuumed dust or particles may be exhausted from the cleaner and they may cause respiratory disease to the operator.

NOTICE: To keep optimum suction power and clean exhaust, clean the filter periodically. If enough suction power is not obtained even after the cleaning, replace the filter with new one.

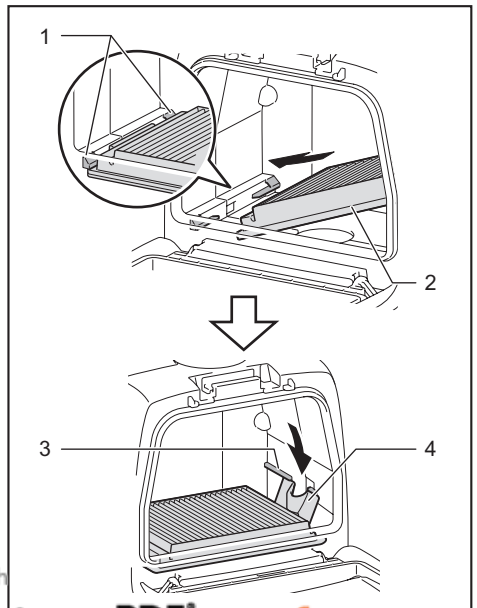
NOTICE: To prevent the filter from being damaged, do not use an air duster and/or high pressure washer for cleaning.

1. Open the lid and take out the filter bag. Release the hook on the filter and remove it from the vacuum cleaner body.



2. Beat the dust off from the filter. The filter can be washed with water. Rinse away the dust and particles on the filter every 1 or 2 month. After that, dry the filter completely in a shaded and well-ventilated place to prevent unpleasant odor or malfunctions.

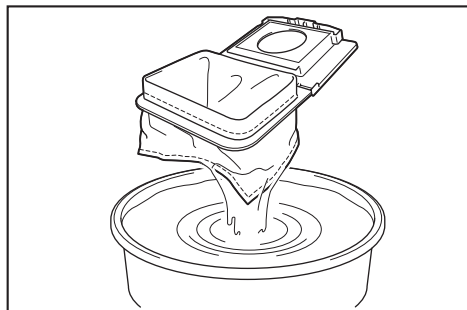
3. To install the filter, insert the side without the flap into the holder then push the filter downward until the flap is secured by the rib.



1. Holder 2. Filter 3. Rib 4. Flap

Cleaning the dust bag

Regularly clean the dust bag with soap and water. Turn the dust bag inside out and remove the sticky dust. Wash lightly by hand and rinse well with water. Dry completely before installing to the vacuum cleaner.



NOTICE: Wet dust bag lowers the vacuuming performance as well as the life of the motor.

To maintain product SAFETY and RELIABILITY, repairs, any other maintenance or adjustment should be performed by Makita Authorized or Factory Service Centers, always using Makita replacement parts.

OPTIONAL ACCESSORIES

⚠ CAUTION: These accessories or attachments are recommended for use with your Makita tool specified in this manual. The use of any other accessories or attachments might present a risk of injury to persons. Only use accessory or attachment for its stated purpose.

If you need any assistance for more details regarding these accessories, ask your local Makita Service Center.

- Flexible hose
- Extension wand
- Free nozzle
- T-shape nozzle
- Nozzle for carpet
- Shelf brush
- Round brush
- Filter bag
- Dust bag
- Filter
- Makita genuine battery and charger

NOTE: Some items in the list may be included in the tool package as standard accessories. They may differ from country to country.

Created with



nitroPDF[®] professional

download the free trial online at nitropdf.com/professional

Makita Jan-Baptist Vinkstraat 2, 3070, Belgium

Makita Corporation 3-11-8, Sumiyoshi-cho,
Anjo, Aichi 446-8502 Japan



nitroPDF®
www.makita.com

professional

865497-228
EN
20151218

download the free trial online at nitropdf.com/professional