

# 3K 3307 / 3307 P



## Vibratory compactor

- ▶ Ergonomic driver's compartment for perfect all-round visibility
- ▶ Convenient information display
- ▶ Infinitely variable hydrostatic all-wheel drive
- ▶ High engine performance with traction control
- ▶ High climbing power through automatic slip control
- ▶ 3-point swivel joint for highest driving comfort
- ▶ Hydrostatic steering
- ▶ Very easy maintenance, long service intervals



## TECHNICAL DATA

**3307**
**3307 P**

<b>Weights</b>			
Operating weight	kg	6840	6840
Maximum weight	kg	7800	7800
Axle load, front/rear	kg	3960/2880	3960/2880
Load per tire, rear	kg	1440	1440
Static linear load, front	kg/cm	23,3	
<b>Machine dimensions</b>			
Max. working width	mm	1680	1680
Turning radius, inside	mm	3060	3060
Padfoot, number			112
Height of the padfoot	mm		80
Front area of padfoot			113
Size of tires, rear		AW 14.9-24 8 TL	TR 14.9-24 8 TL
<b>Diesel engine</b>			
Manufacturer		DEUTZ	DEUTZ
Type		TD 2011 L04 W	TD 2011 L04 W
Number of cylinders		4	4
Power rat. ISO 14396, kW/PS/rpm		68,0/92,5/2600	68,0/92,5/2600
Power rating SAE J1349, kW/HP/rpm		68,0/91,1/2600	68,0/91,1/2600
<b>Drive</b>			
Hydrostatic drive, front/rear		Hydraulic motor/axle	Hydraulic motor/axle
Speed, working gear	km/h	0-4,4/0-6,3/0-6,7	0-4,5/0-6,0/0-7,2
Speed, transportation gear	km/h	0-12,5	0-11,9
Climbing ability, vibration on/off	%	54/59	65/70
<b>Vibration system</b>			
<b>Hydrostatic drive</b>			
<b>Vibration</b>			
Vibration frequency, front, l/l	Hz	30/42	30/42
Amplitude, front, l/l	mm	1,7/0,6	1,7/0,6
Centrifugal force, front, l/l	kN	125/95	125/95
<b>Steering</b>			
Steering, type		Pivoted steering	Pivoted steering
Steering, actuation		hydrostatic, steer. wheel	hydrostatic, steer. wheel
Steering lock +/-	Grad	35	35
Oscillation angle +/-	Grad	10	10
<b>Brake system</b>			
Service brake, mode of action		hydrostatic	hydrostatic
Service brake, actuation		Drive lever	Drive lever
Parking brake, mode of action		Spring-loaded/mechanical	Spring-loaded/mechanical
Parking brake, actuation		electr. a. autom.	electr. a. autom.
Emergency brake, mode of action		hydr./mech.	hydr./mech.
Emergency brake, actuation		Emergency stop	Emergency stop

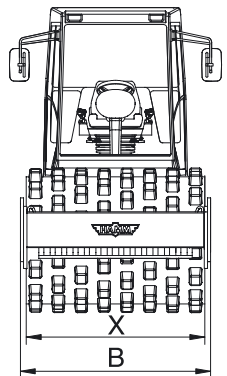
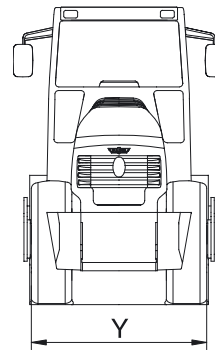
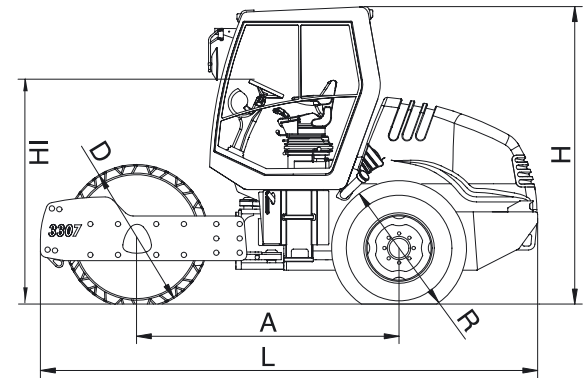
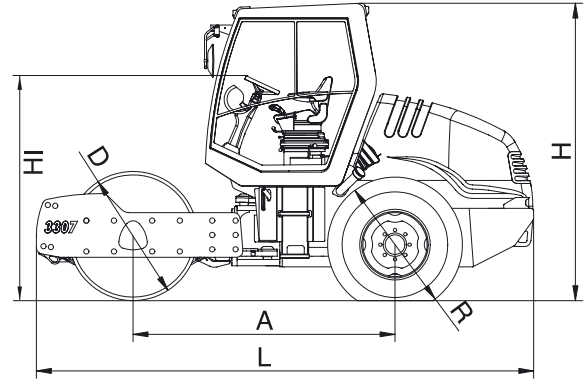
**Equipment**  
Suspended driving position, access from both sides. Sliding and swivelling seat console. 2 multifunctional drive levers. Traction control. Swivelling drive and dashboard console. Modern information and control display. Sound insulation. Tilttable GFK-engine hood. CE-conformity.

### Optional

Comfortable ROPS cabin with panoramic view. Working lights, wipers front/rear, exterior and interior mirrors. Radio. Heating with dust free ventilation. Air conditioning. ROPS/FOPS. Sun top. HCQ-Indicator, HCQ-Printer, HCQ-GPS-Navigator. Tachograph. Lighting according to German Road Regulation. Special paint.

Further data on request / subject to change

**3307 - Vibratory compactor**  
**3307 P - Padfoot compactor**



		3307	3307 P
Total length	L	4680	4680
Width	B	1790	1790
Total height	H	2795	2820
Wheel base	A	2465	2465
Roller drum width	X	1680	1680
Drum diameter	D	1216	1356
Width over tires	Y	1650	1650
Diameter of tires	R	1280	1280
Height loading, min.	HI	2110	2160