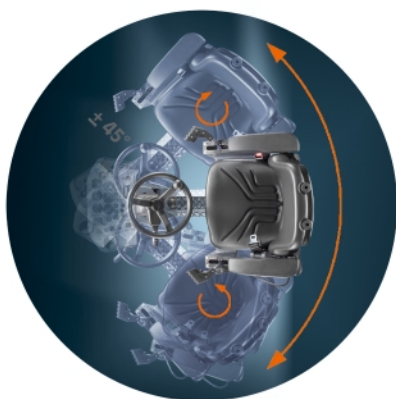


# HD 90 / 90 K



## Articulated tandem roller

- ▶ Ergonomic driver's seat with 2 multifunction control levers
- ▶ Driver's seat including steering wheel and instrument panel rotatable and pivotable
- ▶ Outstanding visibility to the surface and edge of the drum and surroundings
- ▶ Crab steering to extend the working with
- ▶ Hydrostatic all-wheel drive ensures great climbing pave
- ▶ Turbo-Diesel with high performance and low noise level
- ▶ Sprinkler system with 2 water pumps, spraying jets visible from the driver's seat



# HD 90 / HD 90K



| TECHNICAL DATA | HD 90 | HD 90K |
|----------------|-------|--------|
|----------------|-------|--------|

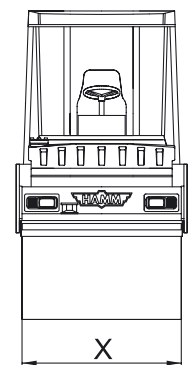
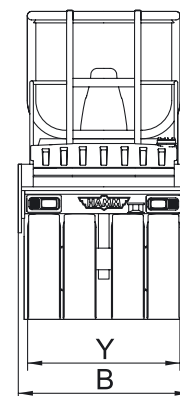
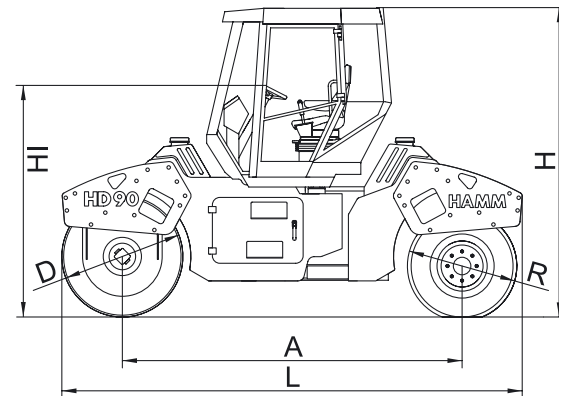
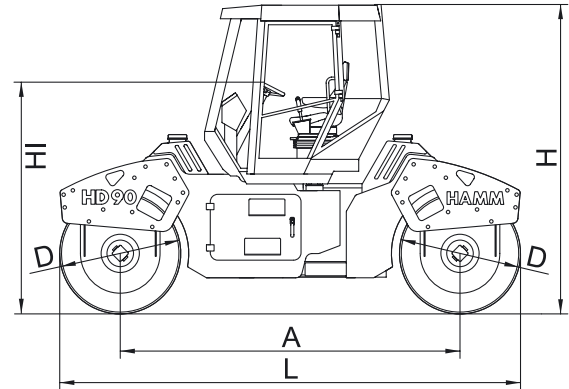
| Weights                                  |       |                           |                           |
|--|-------|---------------------------|---------------------------|
| Operating weight                         | kg    | 9190                      | 8585                      |
| Maximum weight                           | kg    | 11900                     | 11400                     |
| Axle load, front/rear                    | kg    | 4630/4560                 | 4625/3960                 |
| Load per tire, rear                      | kg    |                           | 990                       |
| Static linear load, front/rear           | kg/cm | 27,6/27,1                 |                           |
| Static linear load, front                | kg/cm |                           | 27,5                      |
| Machine dimensions                       |       |                           |                           |
| Max. working width                       | mm    | 1780                      | 1750                      |
| Turning radius, inside                   | mm    | 3961                      | 3961                      |
| Size of tires, rear                      |       |                           | 11.00-20                  |
| Diesel engine                            |       |                           |                           |
| Manufacturer                             |       | DEUTZ                     | DEUTZ                     |
| Type                                     |       | TCD 2012 L04 2V           | TCD 2012 L04 2V           |
| Number of cylinders                      |       | 4                         | 4                         |
| Power rat. ISO 14396, kW/PS/rpm          |       | 100,0/136,0/2300          | 100,0/136,0/2300          |
| Power rating SAE J1349, kW/HP/rpm        |       | 100,0/134,0/2300          | 100,0/134,0/2300          |
| Drive                                    |       |                           |                           |
| Hydrostatic drive, front/rear            |       | Hydr. motor/hydr. motor   | Hydr. motor/hydr. motor   |
| Speed, working gear                      | km/h  | 0-7,4                     | 0-7,4                     |
| Speed, transportation gear               | km/h  | 0-14,8                    | 0-14,8                    |
| Climbing ability, vibration on/off       | %     | 30/40                     | 30/40                     |
| Vibration system                         |       |                           |                           |
| Hydrostatic drive, double drum vibration |       |                           |                           |
| Vibration                                |       |                           |                           |
| Vibration frequency, front, I/II         | Hz    | 42/50                     | 42/50                     |
| Vibration frequency, rear, I/II          | Hz    | 42/50                     |                           |
| Amplitude, front, I/II                   | mm    | 0,65/0,36                 | 0,65/0,36                 |
| Amplitude, rear, I/II                    | mm    | 0,65/0,36                 |                           |
| Centrifugal force, front, I/II           | kN    | 75/59                     | 75/59                     |
| Centrifugal force, rear, I/II            | kN    | 75/59                     |                           |
| Steering                                 |       |                           |                           |
| Steering, type                           |       | Pivoted steering          | Pivoted steering          |
| Steering, actuation                      |       | hydrostatic, steer. wheel | hydrostatic, steer. wheel |
| Steering lock +/-                        | Grad  | 39                        | 39                        |
| Oscillation angle +/-                    | Grad  | 10                        | 10                        |
| Brake system                             |       |                           |                           |
| Service brake, mode of action            |       | hydrostatic               | hydrostatic               |
| Service brake, actuation                 |       | Drive lever               | Drive lever               |
| Parking brake, mode of action            |       | Spring-loaded/mechanical  | Spring-loaded/mechanical  |
| Parking brake, actuation                 |       | electr. a. autom.         | electr. a. autom.         |
| Emergency brake, mode of action          |       | hydr./mech.               | hydr./mech.               |
| Emergency brake, actuation               |       | Emergency stop            | Emergency stop            |
| Sprinkler system                         |       |                           |                           |
| Water sprinkler, type                    |       | Pressure                  | Pressure                  |
| Actuation, sprinkling                    |       | interval/manual           | interval/manual           |
| Water tank, capacity                     | Ltr.  | 900                       | 900                       |
| Additive sprinkling, type                |       |                           | Pressure                  |
| Actuation, additive sprinkling           |       |                           | Push button               |
| Additive tank, capacity                  | Ltr.  |                           | 22                        |

**Equipment**  
 Spring loaded driving position, 1 swivelling and turning driver seat, 2 multifunctional levers, left and right at seat. Indicators for: engine temperature, working hours, fuel tank, control lights and emergency stop button, 2 working lights rear, main battery switch, triple oil filter, indicators for: hydraulic oil temperature, water level. CE prepared.

**Optional**  
 Panoramic ROPS cabin with: heating, dust-free ventilation, sun shade interior lighting, front and rear wipers, interior mirror, beacon, lighting according to German Road Regulation ROPS/FOPS, safety belt, speedometer, sound insulation, sun top, pressing and cutting equipment, radio, special paint, sponge roll, bitumen-temperature gauge, back-up alarm, adjustable vibration: front/rear/double.

Further data on request / subject to change

HD 90 - Articulated tandem roller  
 HD 90K - Articulated combination tandem roller



|                      | HD 90   | HD 90K |
|----------------------|---------|--------|
| Total length         | L 4600  | 4600   |
| Width                | B 1810  | 1810   |
| Total height         | H 3040  | 3050   |
| Wheel base           | A 3400  | 3400   |
| Roller drum width    | X 1680  | 1680   |
| Drum diameter        | D 1200  | 1200   |
| Width over tires     | Y 1620  |        |
| Diameter of tires    | R 1030  |        |
| Height loading, min. | HI 2360 | 2360   |