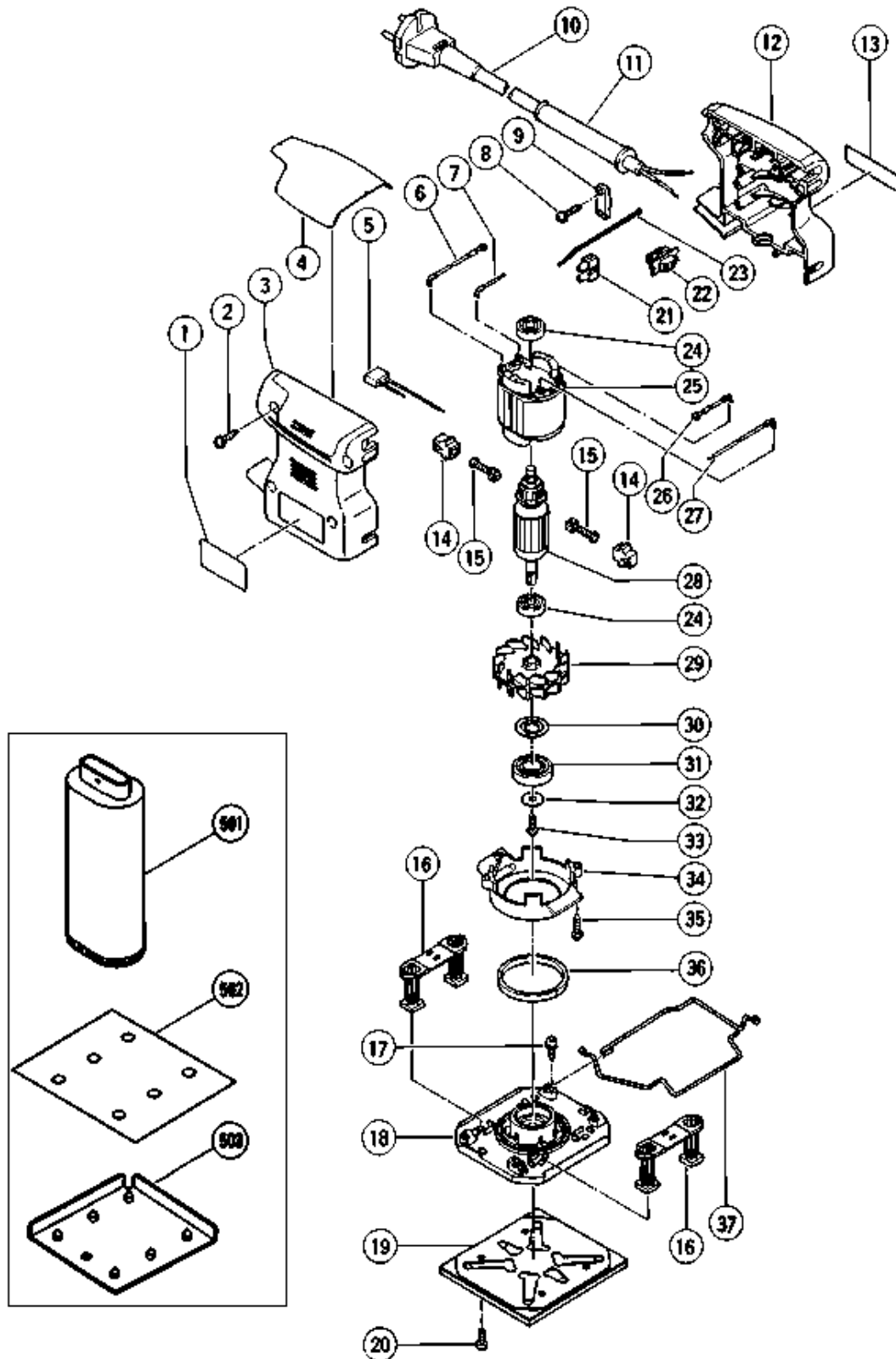


ELECTRIC TOOL PARTS LIST

■ ORBITAL SANDER
Model SV 12SF

2001·6·1
(E1-1)



PARTS

SV12SF

ITEM No.	CODE No.	DESCRIPTION	No. USED	REMARKS	
1		NAME PLATE	0		
2	301-653	TAPPING SCREW (W/FLANGE) D4X20 (BLACK)	4		
3	311-939	HOUSING (B)	1		
4	311-947	GRIP TAPE	1		
*	5	930-039	NOISE SUPPRESSOR	1	EXCEPT FOR USA
*	6	311-952	INTERNAL WIRE (BROWN)	1	
*	6	312-362	INTERNAL WIRE (BROWN)	1	FOR USA
7	311-949	TAB TERMINAL (BLUE)	1		
8	984-750	TAPPING SCREW (W/FLANGE) D4X16	2		
9	960-266	CORD CLIP	1		
*	10	500-409Z	CORD	1	(CORD ARMOR D8.8)
*	10	500-240Z	CORD	1	(CORD ARMOR D10.1) FOR USA
*	10	500-228Z	CORD	1	(CORD ARMOR D8.8) FOR GBR (110V)
*	10	500-436Z	CORD	1	(CORD ARMOR D8.8) FOR GBR (230V)
*	10	500-439Z	CORD	1	(CORD ARMOR D8.8) FOR NZL
*	10	500-395Z	CORD	1	(CORD ARMOR D8.8) FOR SUI
*	11	953-327	CORD ARMOR D8.8	1	
*	11	938-051	CORD ARMOR D10.1	1	
12	311-938	HOUSING (A)	1		
13		HITACHI LABEL	1		
14	930-483	BRUSH HOLDER	2		
15	999-041	CARBON BRUSH (1 PAIR)	2		
16	311-940	LEG	2		
17	311-945	TAPPING SCREW (W/FLANGE) D4X10 (BLACK)	2		
18	311-976	BASE	1		
*	19	310-354	FELT PAD (PERFORATED)	1	
*	19	310-355	PAD (PRESSURE SENSITIVE TYPE,PERFORATED)	1	FOR FRA,BEL,SUI
*	19	311-978	PAD (QUICK STICK TYPE,PERFORATED)	1	FOR USA
20	949-216	MACHINE SCREW M4X10 (10 PCS.)	4		
21	938-307	PILLAR TERMINAL	1		
22	311-948	SLIDE SWITCH (1P SCREW TYPE)	1		
*	23	310-480	WIRE BAND	1	EXCEPT FOR USA
24	608-VVM	BALL BEARING 608VVC2PS2L	2		
*	25	340-329C	STATOR 110V-115V	1	
*	25	340-329E	STATOR 220V-230V	1	
*	26	311-951	INTERNAL WIRE (BLUE)	1	
*	26	312-361	INTERNAL WIRE (BLUE)	1	FOR USA
27	311-950	TAB TERMINAL (BROWN)	1		
*	28	360-369C	ARMATURE 110V-115V	1	
*	28	360-369E	ARMATURE 220V-230V	1	
29	311-941	BALANCE FAN	1		

*:ALTERNATIVE PARTS

PARTS

SV12SF

ITEM No.	CODE No.	DESCRIPTION	No. USED	REMARKS
30	993-052	DUST WASHER	1	
31	600-1DD	BALL BEARING 6001DDCMPS2L	1	
32	875-249	THRUST WASHER	1	
33	997-411	MACHINE SCREW (W/WASHERS) M4X12	1	
34	311-942	FAN GUIDE	1	
35	956-384	TAPPING SCREW D4X20	2	
36	311-946	FELT	1	
37	311-977	PAPER CLIP	2	

STANDARD ACCESSORIES

ITEM No.	CODE No.	DESCRIPTION	No. USED	REMARKS
501	310-339	DUST BAG	1	
* 502	310-342	SANDING PAPERS 114X140 AA100 (10 PCS.)	1	FOR FELT PAD
* 502	310-345	SANDING PAPERS 110X100 AA100 (10 PCS.)	1	FOR PAD,PRESSURE SENSITIVE TYPE
* 502	310-348	SANDING PAPERS (B)110X100 AA80 (10 PCS.)	1	FOR PAD,QUICK STICK TYPE
* 503	310-340	PUNCH PLATE	1	FOR NZL