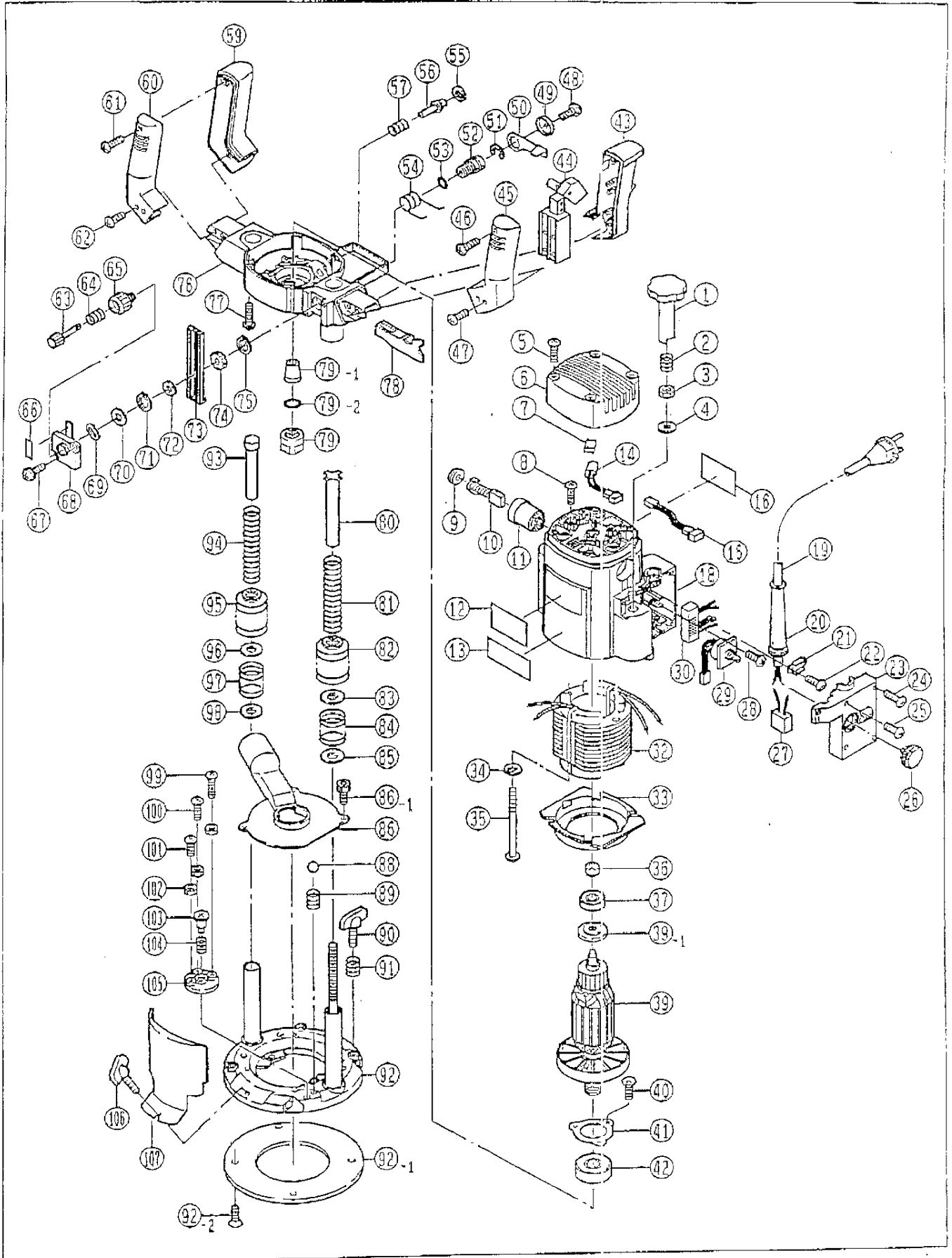


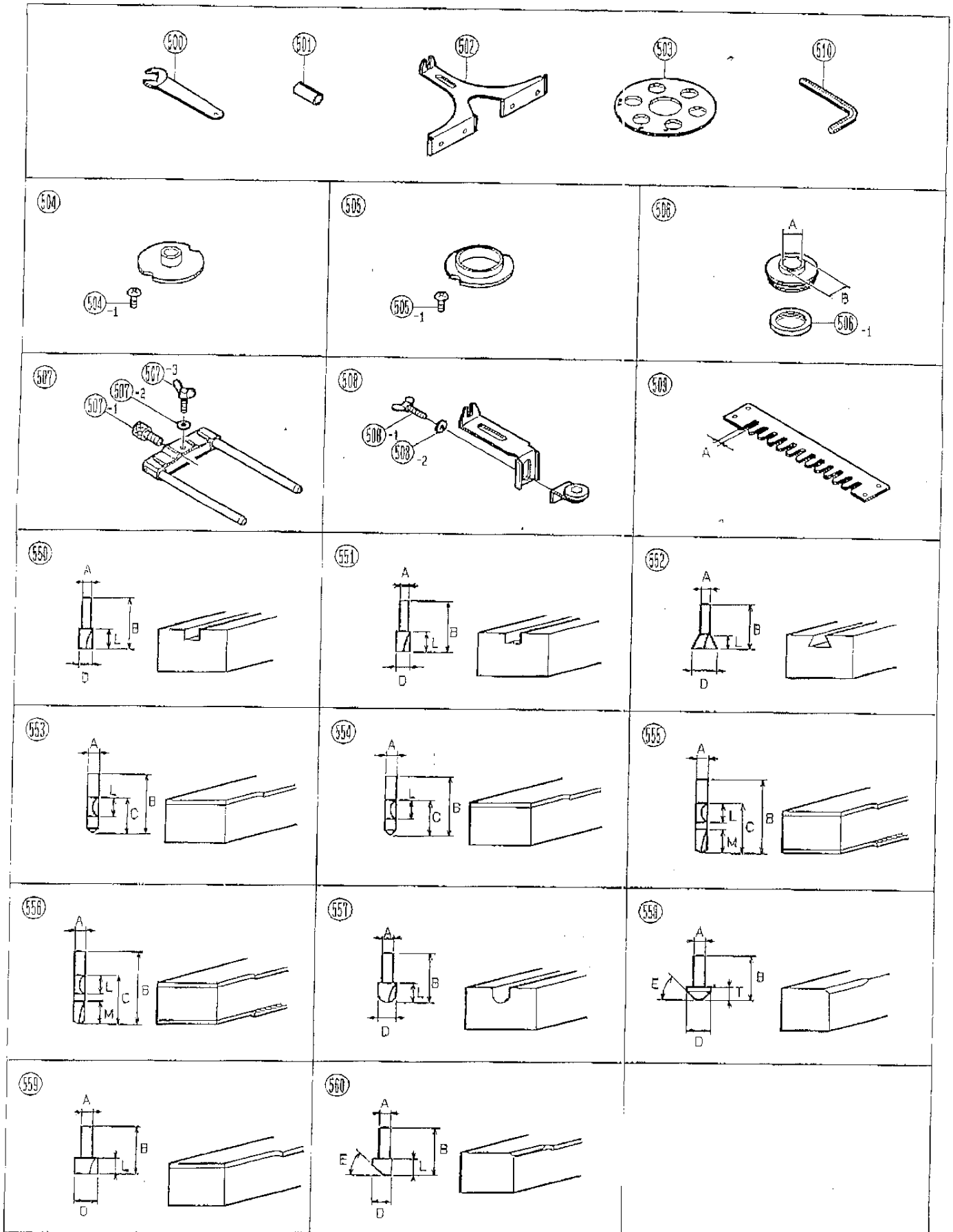
ROUTER

R-601, RE-601



ROUTER

R-601, RE-601



R-601, RE-601 ROUTER

ITEM NO.	PART NO.	DESCRIPTION	PRICE
1	6832050	KNOB	
2	6180056	COMPRESSION SPRING	
3	9331000	HEX. NUT M10	
4	6900181	WASHER	
5	9060425	TAPPING SCREW (B) M4X25	
6	6801678	HOUSING COVER	
7	6370372	RUBBER SHEET	
8	9060516	TAPPING SCREW (B) M5X16	
9	6570033	BRUSH CAP	
10	6540613	CARBON BRUSH 716AL	
11	6570052	BRUSH HOLDER	
12	6922396	RYOBI MARK	
13	6921132	INFORMATION LABEL	RE-601
14	6430338	SPEED CONTROL SENSOR	RE-601
15	6430339	HARNESS	RE-601
16	6916318	NAME PLATE 110V	RE-601
	6916267	NAME PLATE 230V	RE-601
	6916320	NAME PLATE 230V	R-601
	6916328	NAME PLATE 110V	R-501
18	6803090	FRAME	
19	6520613	POWER CORD 2.5X2X2.5	110V
	6520571	POWER CORD 1X2X2.5	240V
20	6560046	CORD HOLDER 11.1	110V
	6560102	CORD HOLDER 7.6	240V
21	6560067	CORD CLAMP 11.1	110V
	6560057	CORD CLAMP	240V
22	9060416	TAPPING SCREW (B) M4X16	110V
	9060412	TAPPING SCREW (B) M4X12	240V
23	6882288	SWITCH COVER	R-501
	6882287	SWITCH COVER	RE-601
24	9060430	TAPPING SCREW (B) M4X30	
25	9060420	TAPPING SCREW (B) M4X20	
26	6360672	SPEED CONTROL DIAL	RE-601
27	6550550	CONDENSER 0.22MF	
28	6130959	TAPPING SCREW (B) M4X10	
29	6430337	VARIABLE DEVICE	RE-601
30	6430335	SPEED CONTROL CIRCUIT MODULE	RE-601 - 110V
	6430336	SPEED CONTROL CIRCUIT MODULE	RE-601 - 240V
32	6502225	FIELD COIL 110V.115V.120V PB	110V
	6502226	FIELD COIL 220V.230V.240V PB	240V
33	6490410	FAN CASING	
34	9550500	SPRING WASHER M5	
35	9060585	TAPPING SCREW (B) M5X85	
36	6081871	MAGNETIC CORE	RE-601
37	9846200	BALL BEARING #6200LLB Heat Resistant	
39	6034467	ARMATURE 110V.115V.120V PB	
	6034469	ARMATURE 240V PB	
39-1	6590850	INSULATION COLLAR	

R-601, RE-601 ROUTER

ITEM NO.	PART NO.	DESCRIPTION	PRICE
40	9150412	FLAT TAPPING SCREW (S) M4X12	
41	6153799	BEARING CLAMP	
42	9846004	BALL BEARING #6004LLB	
43	6832461	HANDLE (AR)	
44	6550452	TRIGGER SWITCH 1266-0402S	
45	6831677	HANDLE (BR)	
46	9060425	TAPPING SCREW (B) M4X25	
47	9040518	TAPPING SCREW (S) M5X18	
48	9020610	PHILLIPS PAN SCREW M6X10	
49	6900167	WASHER	
50	6832430	CLAMP LEVER	
51	9501000	RETAINING RING E-10	
52	6090122	CLAMP SCREW	
53	9760010	O-RING P-10	
54	6180485	TORSION SPRING	
55	6100694	RETAINING RING IRTW-12	
56	6120301	STOPPER PIN	
57	6180460	COMPRESSION SPRING	
59	6831680	HANDLE (AL)	
60	6831683	HANDLE (BL)	
61	9060425	TAPPING SCREW (B) M4X25	
62	9040518	TAPPING SCREW (S) M5X18	
63	6360670	DEPTH ADJUSTMENT DIAL	
64	6180138	COMPRESSION SPRING	
65	6360671	DIAL	
66	6922394	SEAL	
67	9020410	PHILLIPS PAN SCREW M4X10	
68	6320437	PLATE	
69	9641200	WAVE WASHER	
70	6900883	THRUST WASHER 10X18X0.4	
71	9510900	RETAINING RING S-9	
72	6900103	WASHER 6X13X0.5	
73	6320438	GAUGE	
74	6200793	PINION GEAR	
75	9510600	RETAINING RING S-6	
76	6081752	BRACKET	
77	9060535	TAPPING SCREW (B) M5X35	
78	6590835	INSULATION COVER	
79	6090134	COLLET CHUCK 1/2"	
79-1	6940483	COLLET SLEEVE 1/2"	
79-2	6180478	RING	
80	6900948	SLEEVE	
81	6180746	COMPRESSION SPRING	
82	6360698	BELLOWS	
83	6900393	WASHER	
84	6180741	COMPRESSION SPRING	
85	6900393	WASHER	
86	6073843	DUST NOZZLE	

*SPINDLE
LOCK*

R-601, RE-601 ROUTER

ITEM NO.	PART NO.	DESCRIPTION	PRICE
86-1	9220512	HEX. SOCKET HEAD BOLT M5X12	
88	6290087	STEEL BALL 1/4"	
89	6180055	COMPRESSION SPRING	
90	6131606	WING BOLT M6X15	
91	6180004	COMPRESSION SPRING	
92	6010283	BASE	
92-1	6360336	BASE PLATE	
92-2	9150412	FLAT TAPPING SCREW (S) M4X12	
93	6100058	AUX. GUIDE BAR	
94	6180746	COMPRESSION SPRING	
95	6360698	BELLOWS	
96	6900393	WASHER	
97	6180741	COMPRESSION SPRING	
98	6900393	WASHER	
99	9000530	PHILLIPS PAN SCREW M5X30	
100	9000520	PHILLIPS PAN SCREW M5X20	
101	9000514	PHILLIPS PAN SCREW M5X14	
102	9310500	HEX. NUT M5	
103	6130276	CLAMP BOLT	
104	6180056	COMPRESSION SPRING	
105	6320439	STOP BLOCK	
106	6131602	WING BOLT M5X10	
107	6360673	DUST COVER	
	6560018	TERMINAL 1.25-3.7	
	6590129	CONNECTOR BLOCK	
	6560003	CONNECTOR 5.5-SD	
	6560002	CONNECTOR 2-SD	
	9673216	LEAD WIRE AWG#16 (BLACK) (1M)	110V
	9673218	LEAD WIRE AWG#18 (BLACK) (1M)	240V
	9674216	LEAD WIRE AWG#16 (YELLOW) (1M)	110V
	9674218	LEAD WIRE AWG#18 (YELLOW) (1M)	240V
STANDARD ACCESSORIES			
500	6240863	SINGLE-END WRENCH 24	
501	6072223	BIT ADAPTER 1/4"X1/2"	
	6072213	BIT ADAPTER 3/8"X1/2"	
	6072273	BIT ADAPTER 6MMX1/2"	
	6072283	BIT ADAPTER 8MMX1/2"	
502	6150453	STRAIGHT GUIDE <i>SIDE FENCE</i>	
504	6072483	TEMPLATE GUIDE 16.5 (30mm AC50412925)	
504-1	9120508	TRUSS HEAD SCREW M5X8	
507	6070573	GUIDE HOLDER	
507-1	6130278	ADJUSTMENT SCREW	
507-2	9570600	WASHER 6.4X12.5X1.6	
507-3	9240610	WING BOLT M6X10	
508	6070563	TRIMMER GUIDE	
508-1	9240610	WING BOLT M6X10	
508-2	9570600	WASHER 6.4X12.5X1.6	

R-601, RE-601 ROUTER

ITEM NO.	PART NO.	DESCRIPTION	PRICE
510	6241083	HEX. KEY WRENCH 4	
550	6673330	TCT STRAIGHT BIT 3/8"X3/8" (3/8X2-3/8X3/8X1")	
ACCESSORIES			
501	6072263	BIT ADAPTER 5/16"X1/2" 7.94mm. <i>8.94mm. 1/2" new 1/4"</i>	
503	6072713	BASE PLATE	
505	6072493	TEMPLATE GUIDE ATTACHMENT	
505-1	9120508	TRUSS HEAD SCREW M5X8	
506	6072163	TEMPLATE GUIDE 6.5X7.8MM (1/4X5/16"(6.5X7.8MM)	
506-1	6072073	TEMPLATE GUIDE NUT	
506	6072153	TEMPLATE GUIDE 6.5X9.3MM	
506-1	6072073	TEMPLATE GUIDE NUT	
506	6072103	TEMPLATE GUIDE 8.8X11MM	
506-1	6072073	TEMPLATE GUIDE NUT	
506	6072083	TEMPLATE GUIDE 10.3X12.2MM	
506-1	6072073	TEMPLATE GUIDE NUT	
506	6072113	TEMPLATE GUIDE 11.1X13.2MM	
506-1	6072073	TEMPLATE GUIDE NUT	
506	6072093	TEMPLATE GUIDE 12.7X17MM	
506-1	6072073	TEMPLATE GUIDE NUT	
506	6072143	TEMPLATE GUIDE 13X15.8MM	
506-1	6072073	TEMPLATE GUIDE NUT	
506	6072133	TEMPLATE GUIDE 13X16.8MM	
506-1	6072073	TEMPLATE GUIDE NUT	
506	6072123	TEMPLATE GUIDE 13X18.8MM	
506-1	6072073	TEMPLATE GUIDE NUT	
509	6950213	DOVETAIL GAUGE PLATE 8.0MM	
	6950212	DOVETAIL GAUGE PLATE 9.5MM	
	6950209	DOVETAIL GAUGE PLATE 12.5MM	
	6950210	DOVETAIL GAUGE PLATE 16.0MM	
	6950211	DOVETAIL GAUGE PLATE 17.0MM	
	6950214	DOVETAIL GAUGE PLATE 19.0MM	
550	6673660	TCT STRAIGHT BIT 1/4"X1/4" (1/4X2-3/8X1/4X13/16")	
	6673650	TCT STRAIGHT BIT 6X6MM (6X60X6X20MM)	
	6672970	TCT STRAIGHT BIT 8X8MM (8X60X8X20MM)	
551	6673520	STRAIGHT BIT 1/4"X1/4" (1/4X2-3/8X1/4X1")	
	6672930	STRAIGHT BIT 6X6MM (6X60X6X25MM)	
	6672940	STRAIGHT BIT 8X8MM (8X60X8X25MM)	
552	6673010	DOVETAIL BIT 1D (6X60X10X5.8MM)	
	6673030	DOVETAIL BIT 2D (6X60X12X8.8MM)	
	6673050	DOVETAIL BIT 3D (8X65X15X9MM)	
	6673070	DOVETAIL BIT 4D (8X65X15X10.5MM)	
	6673090	DOVETAIL BIT 5D (8X65X15X13MM)	
553	6673240	TCT PANEL BIT (S/F) 8MM	
554	6673180	PANEL BIT (S/F) 6MM	
	6673200	PANEL BIT (S/F) 8MM	
555	6673250	TCT PANEL BIT (W/F) 8MM	
556	6673190	PANEL BIT (W/F) 6MM	

R-601, RE-601 ROUTER

ITEM NO.	PART NO.	DESCRIPTION	PRICE
	6673210	PANEL BIT (W/F) 8MM	
557	6673340	'U' GROOVING BIT 2R (6X50X6X10X2MM)	
	6673350	'U' GROOVING BIT 3R (6X60X6X10X3MM)	
	6673360	'U' GROOVING BIT 4R (8X60X8X15X4MM)	
558	6673550	45 DEG. TRIMMER BIT 1/4" (1/4X1-9/16X13/16X7/16") 45°	
	6673580	45 DEG. TRIMMER BIT 6MM (6X40X20X11MM) 45°	
	6673570	60 DEG. TRIMMER BIT 6MM (6X40X20X14MM) 60°	
559	6673600	STRAIGHT TRIMMER BIT 1/4" (1/4X1-9/16X3/4X5/8")	
	6673560	STRAIGHT TRIMMER BIT 6MM (6X40X19X15MM)	
560	6673590	TCT TRIMMER BIT 6MM (6X34X24X14MM) 45°	
-	AC50412925	TEMPLATE GUIDE 30MM C/W SCREWS	