

WARNING

The chipper shredder blades may continue to rotate silently after engine shut down.

Be sure the blades have stopped rotating before working on the machine.

The shredder grasps and pulls material down into the hopper with surprising speed.

DO NOT wear rings, bracelets, watches or jewellery or any other items that could be caught in the material and draw your hands into the shredder. Hold the material very lightly.

Gloves, if worn for shredding, should be large enough to slip off your hands if caught in the material.

DANGER POINTS TO OBSERVE

Clear processed material regularly do not allow it to build up underneath the machine.

DO NOT use the machine with the discharge grille **FULLY OPEN**.

NEVER attempt to operate the machine without chipper chute and shredder hopper in place.

NEVER overload the machine.

NEVER stand in front of the chipper chute or attempt to look down the shredder hopper when the machine is operating.

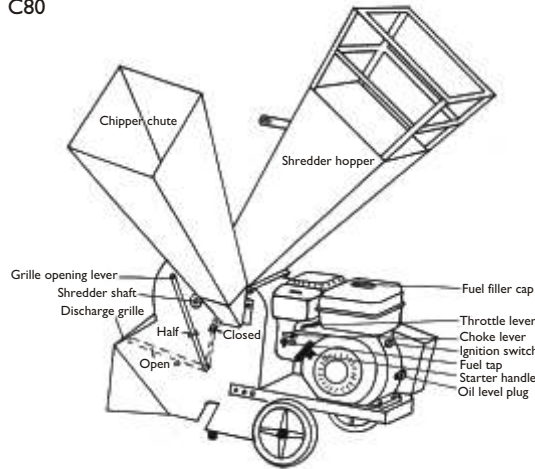
NEVER position the machine on a ledge higher or lower than the operator. Machine and operator must be on the same level.

ALWAYS operate the machine a **FULL** throttle.

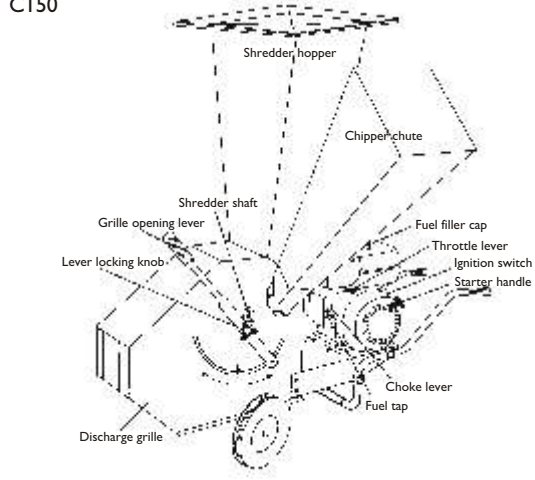
ALWAYS allow the machine to run at full speed for 2 minutes before switching off.

FAILURE TO OBSERVE THESE POINTS MAY RESULT IN PERSONAL INJURY.

C80



C150



CAMON

CHIPPER SHREDDERS C80 • C150

OPERATING INSTRUCTIONS & SAFETY NOTES

IMPORTANT PLEASE READ CAREFULLY

No liability will be accepted for any damage caused to persons or property through failure to observe the operating and safety instructions.



Teknol House, Victoria Road, Burgess Hill, West Sussex RH15 9LH
Tel: 01444 247689 Fax: 01444 871612
Website: www.tracmaster.co.uk E-mail: info@tracmaster.co.uk

C80150/1104

S A F E T Y

ALWAYS start the engine in the open air

DO NOT smoke when refuelling

ALWAYS stop the engine and the machine before making any adjustments, refuelling, moving or cleaning or when the unit is unattended

ALWAYS ensure that guards are in place when the machine is operating or the engine is running

DO NOT remove any safety guards that are fitted

ALWAYS wear suitable clothing and footwear to give personal protection

ALWAYS wear safety glasses and ear protectors

KEEP hands, feet and clothing out of openings, discharge and moving parts when the machine is operating or the engine is running

DO NOT touch any moving parts or attempt any maintenance whilst the machine is running - **KEEP HANDS AND FEET AWAY**

DO NOT allow children or anyone uninstructed to operate the machine - **KEEP ANIMALS AWAY**

IF A FAULT develops **DO NOT** attempt any repair - immediately contact the supplier from whom the machine was obtained

Noise emissions up to 104dB(A)

Ear defenders to be worn to BS 6344

BEFORE STARTING

Ensure the machine is on firm, level ground.

DO NOT USE MACHINE ON A SLOPE.

The unit may be placed on a tarpaulin to collect the processed material.

Ensure the shredder hopper and chipping chute are in place.

Check the engine oil level. Top up with 10w/40 oil if necessary.

Check fuel level. Only use unleaded petrol from a clean container. Never re-fuel when the engine is hot or running. Leave 1" air space in the fuel tank.

Ensure the discharge grille is fully closed.

TO START ENGINE

Switch on ignition and if the engine is cold, apply the choke.

Turn on the fuel tap and apply half throttle.

Engage the recoil starter and pull handle firmly.

Once the engine has started, release the choke after a few seconds and return throttle to idle position.

CHIPPER OPERATION

Increase engine to FULL throttle and allow the machine to build up to its FULL operating speed.

Put the thickest end of the branch into the chute. Find just the right feed pressure to apply - not too much!

DO NOT let the chipper overfeed itself pull the wood back if the engine speed starts to drop.

FAILURE TO OBSERVE THIS PRECAUTION WILL CAUSE DAMAGE TO THE CLUTCH AND DRIVE BELT - correct feed pressure and engine speed is important to reduce the possibility of damage to the machine.

Neither pull out nor push in the short end pieces with hands. Use the next branch to feed the short end through the chipper each time. BE CAREFUL - short ends sometimes feed themselves through the chipper but are occasionally thrown out.

Never stand on the discharge side of the machine or directly in front of the chipper chute.

KEEP TO THE ENGINE SIDE OF THE CHUTE.

SHREDDER OPERATION

ENSURE THE DISCHARGE GRILLE IS IN THE CLOSED POSITION.

Increase engine to FULL throttle and allow the machine to build up to FULL speed.

Be very careful what you put into the hopper.

The shredder cannot handle: cloth, string, plastics, glass, rubber, stones, bricks, large wood chunks, metal, thick branches or long vines.

NEVER be tempted to drop short end pieces into the hopper as the HAMMER BLADES will jam causing damage to the drive system.

Wet green garden waste and wet grass clippings may require mixing in with some dry wood to avoid clogging the shredder. If necessary move discharge grille lever to half open position when shredding wet material.

Adding too much material at a time can clog the shredder allow the machine to clear itself each time.

DO NOT throw thin branches into the hopper with a spearing force as this will overfeed the hammer blades and jam the machine.

FAILURE TO OBSERVE THIS PRECAUTION WILL CAUSE DAMAGE TO THE CLUTCH AND DRIVE BELTS.

TO CLEAR DISCHARGE GRILLE

Switch off the engine and visually check the shredder shaft has stopped rotating.

Disconnect the spark plug lead.

Move discharge grille lever from fully closed to fully open position.

Clear out the material with a wooden handle or brush.

DO NOT reach inside with fingers as the hammer blades are sharp.

Close discharge grille fully.

Reconnect the spark plug lead.