



**D 250 AHG**  
**D 350 AHG**  
**D 400 AHG**



[www.ausa.com](http://www.ausa.com)



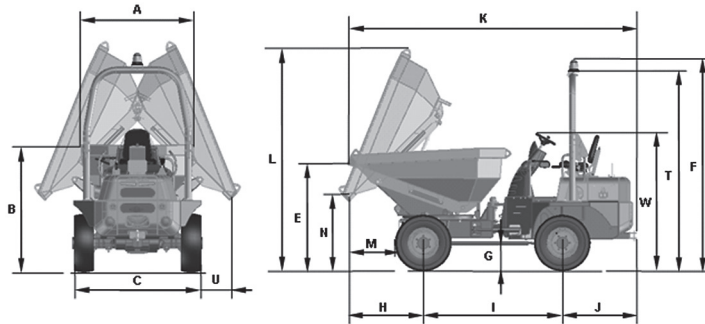
**AUSA Center, S.L.U.**  
 Ctra. de Vic Km 2.8  
 08243 Manresa - Barcelona  
 Tel.: +34 93 874 73 11  
 Pol. Ind. Coslada - Marconi 15-17  
 28823 Coslada - MADRID  
 Tel.: +34 91 669 00 06  
[ausa@ausa.com](mailto:ausa@ausa.com) · [www.ausa.com](http://www.ausa.com)

**AUSA France** Z.I. Saint Charles - Rue de Zürich, 66000 PERPIGNAN - Tel.: +33 (0) 4 68 54 38 97 - E-mail: [ausa.france@ausa.com](mailto:ausa.france@ausa.com)  
**AUSA Deutschland** Tel.: +49 (0) 2384 9889905 - E-mail: [ausa.deutschland@ausa.com](mailto:ausa.deutschland@ausa.com)  
**AUSA UK** Tel.: +44 (0) 7970639988 - E-mail: [ausa.uk@ausa.com](mailto:ausa.uk@ausa.com)  
**AUSA Brasil** Avenida Belizario Ramos 2276 - Lages - SC, 88506-000 - Tel.: +55 11 9 8786 6014 - E-mail: [ausa.brasil@ausa.com](mailto:ausa.brasil@ausa.com)  
**AUSAMéxico** Calzada Vallejo 725 Del. Gustavo A. Madero - 07750 México D.F. - Tel.: +52 (55) 2166 9276 - E-mail: [ausa.mexico@ausa.com](mailto:ausa.mexico@ausa.com)  
**AUSA U.S. CORP.** Tel.: +1 (917) 328 0770 - E-mail: [ausa.us@ausa.com](mailto:ausa.us@ausa.com)  
**AUSA Beijing Rep. Office** Room 403, Moma Building, N.199 - Chaoyang bei road, Chaoyang District - 100026 BEIJING  
 Tel.: +86 10 8598 7386 - E-mail: [ausa.china@ausa.com](mailto:ausa.china@ausa.com)

**D 250 AHG** \_2500 Kg  
**D 350 AHG** \_3500 Kg  
**D 400 AHG** \_2500 Kg

**AUSA**  
www.ausa.com

DIMENSIONS (mm)	D 250 AHG	D 350 AHG	D 400 AHG
A	1503	1852	1866
B	1694	1740	1838
C	1755	1858	1858
E	1500	1506	1590
F	2915	2956	2956
G	347	395	395
H	1050	1024	1200
I	1920	1932	1950
J	1025	1025	1007
K	3975	4120	4353
L	3070	3105	3150
M	660	590	766
N	1050	1035	860
T	2705	2770	2770
U	364	327	502
W	1909	1940	1940



## TECHNICAL SPECIFICATIONS

	D 250 AHG	D 350 AHG	D 400 AHG
<b>Load capacity (Kg)</b>	2500	3500	4000
<b>Unloading system</b>	Hydraulic, 180° rotating		
<b>Chassis</b>	Articulated and oscillating		
<b>Hopper capacities (l)</b>	Water	818	1350
	Levelled	1200	2163
	Heaped	1910	2941
<b>Engine</b>	Diesel	Kubota V2403M	
	Power acc./SAE J 1995 (KW/HP)	36.5 / 49.6	
	N° of Cylinders	4	
	Cooling system	Water	
<b>Traction</b>	4 x 4 permanent		
<b>Transmission</b>	2-speed hydrostatic. Front-reverse direction electro-hydraulic operated. Axles with planetary reduction on differential output		
<b>Engine starting system</b>	Electric		
<b>Speed (max.) (km/h)</b>	20	21	21
<b>Unladen weight (Kg)</b>	2650	2780	2830
<b>Gradient negotiable (with full load)</b>	70%	54%	49%
<b>Hydraulic circuit</b>	Gear pump of 12 cc. Working pressure 180 bar		
<b>Tyres</b>	10.0/75-15.3	11.5/80-15.3 (14 PR)	11.5/80-15.3 (14 PR)
<b>External turning circle</b>	4225	4680	4720
<b>Steering</b>	Hydraulic		
	Working pressure 110 bar		
<b>Tank capacity (l)</b>	Fuel	44	
	Hydraulic fluid	40	
<b>Service brake</b>	Oil-immersed, multidisc, hydraulically operated		
<b>Parking brake</b>	Oil-immersed, multidisc, mechanically operated		
<b>STANDARD EQUIPMENT</b>	Foldable ROPS arch		
	Anti vandal system		
	Ergonomic seat with safety belt		
	Rotating beacon		
	Audible reverse warning		
<b>OPTIONAL EQUIPMENT</b>	Homologated lighting system		
	Full visibility System through (FVS) front and rear cameras and TFT water-proof color 7" display for a total visibility and nightvision by infrared up to 10 m.		
	Towing hitch (Rockinger) without electric socket		
	Water-tight case for operation and maintenance manuals		
	Stop emergency on controls dashboard		
	Gelaming safety stickers on rear body		