



D 600 AP
D 600 APG
D 1000 AP
D 1000 APG



www.ausa.com

ISO 9001



ISO 14001



AUSA Center, S.L.U.
 Ctra. de Vic Km 2.8
 08243 Manresa - Barcelona
 Tel.: +34 93 874 73 11

Pol. Ind. Coslada - Marconi 15-17
 28823 Coslada - MADRID
 Tel.: +34 91 669 00 06

ausa@ausa.com · www.ausa.com

AUSA France Z.I. Saint Charles - Rue de Zürich, 66000 PERPIGNAN - Tel.: +33 (0) 4 68 54 38 97 - E-mail: ausa.france@ausa.com

AUSA Deutschland Tel.: +49 (0) 2384 9889905 - E-mail: ausa.deutschland@ausa.com

AUSA UK Tel.: +44 (0) 7970639988 - E-mail: ausa.uk@ausa.com

AUSA Brasil Avenida Belizario Ramos 2276 - Lages - SC, 88506-000 - Tel.: +55 11 9 8786 6014 - E-mail: ausa.brasil@ausa.com

AUSAMéxico Calzada Vallejo 725 Del. Gustavo A. Madero - 07750 México D.F. - Tel.: +52 (55) 2166 9276 - E-mail: ausa.mexico@ausa.com

AUSA U.S. CORP. Tel.: +1 (917) 328 0770 - E-mail: ausa.us@ausa.com

AUSA Beijing Rep. Office Room 403, Moma Building, N.199 - Chaoyang bei road, Chaoyang District - 100026 BEIJING

Tel.: +86 10 8598 7386 - E-mail: ausa.china@ausa.com

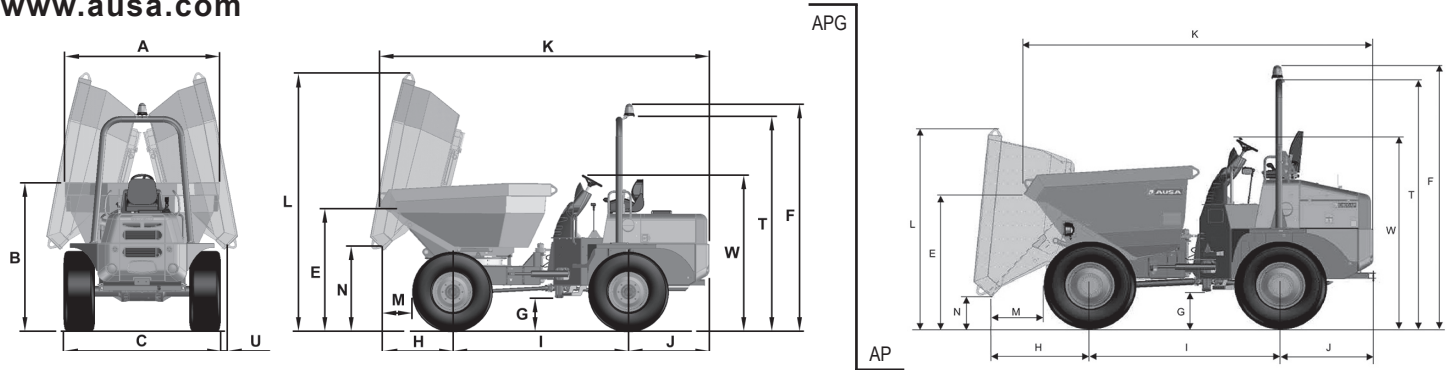
D 600 AP_6000 Kg
D 600 APG_6000 Kg
D 1000 AP_10000 Kg
D 1000 APG_10000 Kg



www.ausa.com

DIMENSIONS mm	D 600 AP/Plus	D 600 APG/Plus	D 1000 AP	D 1000 APG
A	2295	2150	2480	2480
B	1960	2070	2380	2385
C	2190	2190	2440	2440
E	1730	1790	1820	1950
F	3180	3180	3560	3560
G	475	475	490	490
H	1210	970	1260	980
I	2450	2450	2450	2450
J	1125	1125	1220	1220
K	4465	4615	4520	4740
L	2680	3600	2710	3820
M	650	415	665	380
N	455	1200	430	1100
T	3000	3000 / 2850 (*)	3375 / 3220 (*)	3375 / 3220 (*)
U	-	90	-	110
W	2190	2190	2550	2550

(*) Closed cabin



TECHNICAL SPECIFICATIONS

	D 600 AP	D 600 AP Plus	D 600 APG	D 600 APG Plus	D 1000 AP	D 1000 APG
Load capacity (Kg)	6000			10000		
Unloading system	Hydraulic, frontal		Hydraulic, 180° side rotating		Hydraulic, frontal	Hydraulic, 180° side rotating
Chassis	Articulated and oscillating					
Hopper capacities	Water	1950		1565	2440	1950
	Levelled	2650		2360	3750	3140
	Heaped	3290		3130	5225	4790
Engine	Diesel	KUBOTA V-3800-CR-TE4 with DPF y DOC		KUBOTA V-3800-CR-TE4 with DPF y DOC		KUBOTA V3800-CR-TIE4 with DPF y DOC
Stage IIIB / Tier 4 Int.	Power (KW/HP)	85 / 114		85 / 114		85 / 114
	Nº of Cylinders	4		4		4
	Cooling system	Water		Water		Water
Engine	Diesel	DEUTZ TD3.6 with DOC		DEUTZ TD3.6 with DOC	DEUTZ TCD3.6 L4 with DOC	
Stage III B / Tier 4	Power (KW/HP)	55,4 / 74		55,4 / 74	70 / 95	
	Nº of Cylinders	4		4	4	
	Cooling system	Water		Water	Water	
Engine	Diesel	KUBOTA V3600T		KUBOTA V3600T		KUBOTA V3800T
Non-EU EMISSION	Power (KW/HP)	63 / 86		63 / 86		72.8 / 99
Stage IIIA / Tier 3	Nº of Cylinders	4		4		4
	Cooling system	Water		Water		Water
Traction	4 x 4 permanent					
Transmission	Torque converter with synchronized gear box. 4 ratios forwards and 4 ratios backwards by means of an electro-hydraulic device. Axles with planetary reduction on differential output					
Engine starting system	Electric					
Speed (max.) (km/h)	34			38 / 32 with engine DEUTZ		
Unladen weight (Kg)	4200		4380		4760	4990
Gradeability	60 %					
Hydraulic circuit	Gear pump of 25 cc. Working pressure 180 bar.					
Tyres	405/70-20" (14 PR)				500/60-22,5" (16PR")	
External turning radius (mm)	5700				5950	
Steering	Hydraulic. Working pressure 115 bar					
Tank capacity (l)	Carburant (l)	65				
	Hydraulic fluid	65				
Service brake	Oil-immersed, multidisc, hydraulically operated					
Parking brake	Oil-immersed, multidisc, mechanically operated					
STANDARD EQUIPMENT	Ergonomic seat with safety belt					
	Anti vandal system					
	Audible reverse warning					
	Rotating beacon					
	Fold down ROPS protective arch with folding assisted system by means gas spring					
	Homologated lighting system					
	Full-Equip closed ROPS/FOPS cabin with heating including enhanced sound-proof and panoramic rear-mirrors					
	Full visibility System through (FVS) front and rear cameras and TFT water-proof color 7" display for a total visibility and nightvision by infrared up to 10 m					
	Towing hitch (Rockinger) without electric socket					
	Water-tight case for operation and maintenance manuals					
	Limited slip differential in both axels with negative parking brake on front axle and max. travell speed 30 km/h (Only mod. APG/APG Plus)					
	Stop emergency on controls dashboard					
	Front rubber fender					
	Homologated ROPS/FOPS driver protective roof with folding assisted system by means gas spring					
	Gelaming safety stickers on rear body					