



## Spare Parts List



## Scaffold Trolley

Permaquip Ltd  
Brierley Industrial Park, Stanton Hill,  
Sutton-In-Ashfield, Nottinghamshire, NG17 3JZ  
Tel: +44 (0) 1623 513349  
Fax: +44 (0) 1623 517742  
E-mail: [sales@permaquip.co.uk](mailto:sales@permaquip.co.uk)  
[www.permaquip.co.uk](http://www.permaquip.co.uk)

# CONTENTS

1. Introduction.....	4
2. Safe and Correct Use .....	4
3. Assembly Parts.....	5
3.1 General Assembly, 33013. ....	5
3.2 Unbraked End Assembly, 33015. ....	6
3.3 Braked End Assembly, 33017.....	7
4. Main Components and Assemblies.....	9

## **Please note**

Whilst Permaquip Limited has taken every care in preparing this Spare Parts List it is intended as a technical guideline only. Save to the extent that there are statutory rights to the contrary, Permaquip accepts no liability in relation to any use or reliance made of any information in this Spare Parts List.

All information, illustrations and specifications in this Spare Parts List are based on the latest information available at the time of publication. The right is reserved to make changes at any time without notice.

Equipment operators and installers shall be responsible for ensuring that a safe working environment and safe systems of work are in place and in certain circumstances advice and permission from the controlling authority must be sought before any operation, installation or surveying work is carried out.

Permaquip™ is a trademark of Permaquip Ltd.



## **1. INTRODUCTION**

The Permaquip™ Scaffold Trolley is designed for use on-track in conjunction with the SGB Boss Zone 1 (fibreglass construction) and the Stairway/Ladderspan (aluminium construction) tower system to access areas above the rail head.

Each Scaffold Trolley is equipped with a fail-safe braking system and is supplied with Brake Handles.

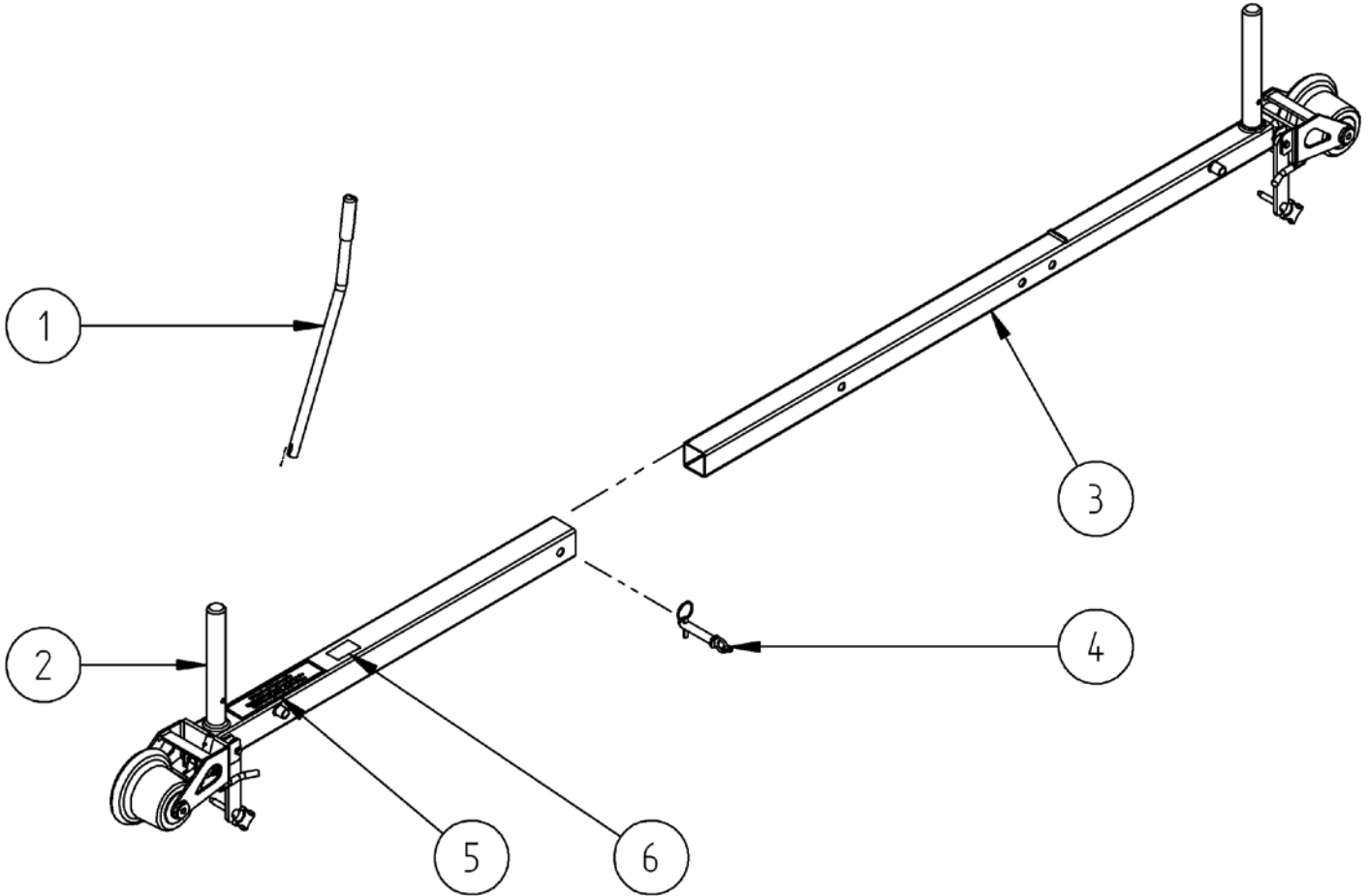
## **2. SAFE AND CORRECT USE**

To ensure safe and correct use of the Permaquip™ Scaffold Trolley please refer to the product's User Guide.

Once any maintenance, repair or service operations have been undertaken, ensure that the Maintenance and Test Specification of the product, as defined in the product's User Guide, are followed.

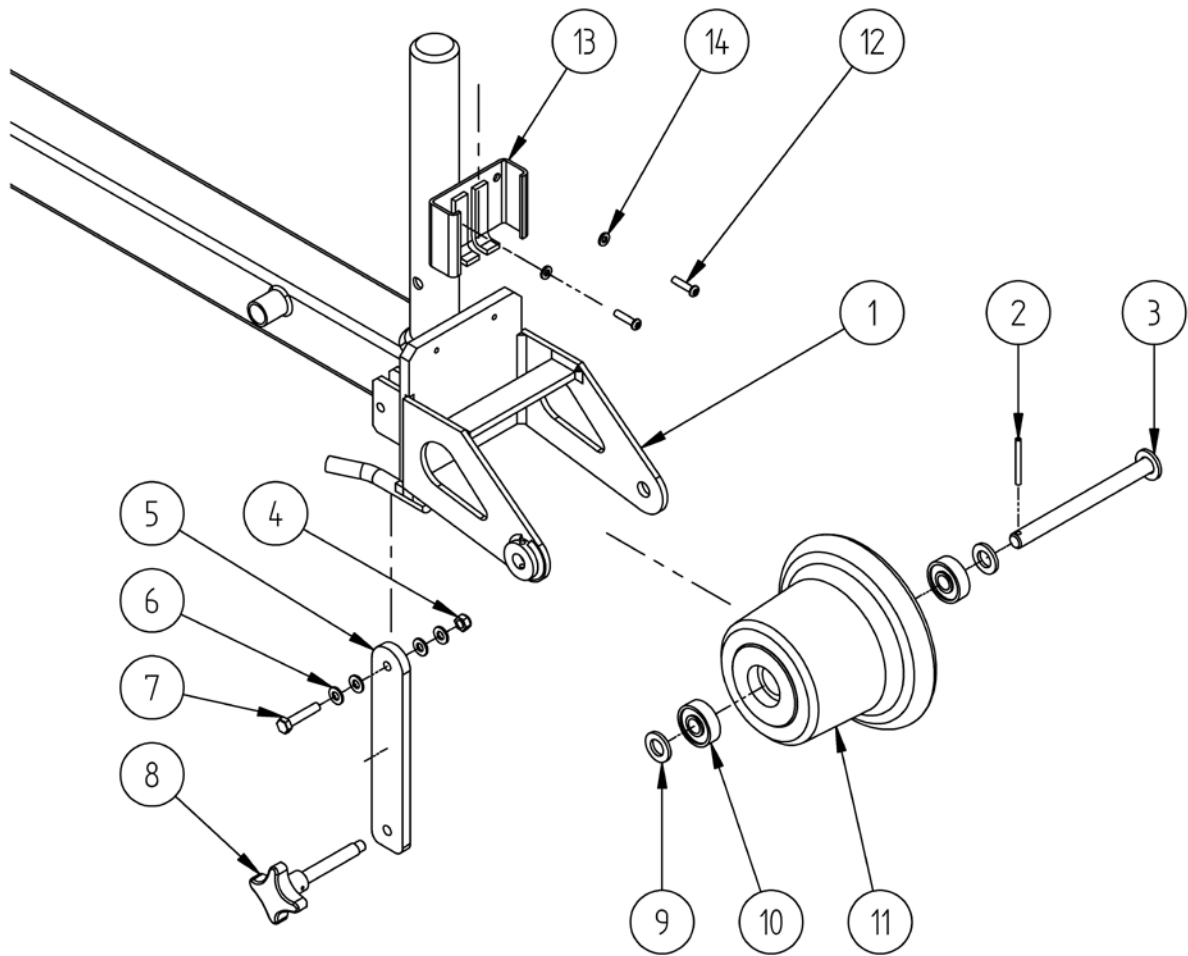
### 3. ASSEMBLY PARTS

#### 3.1 General Assembly, 33013.



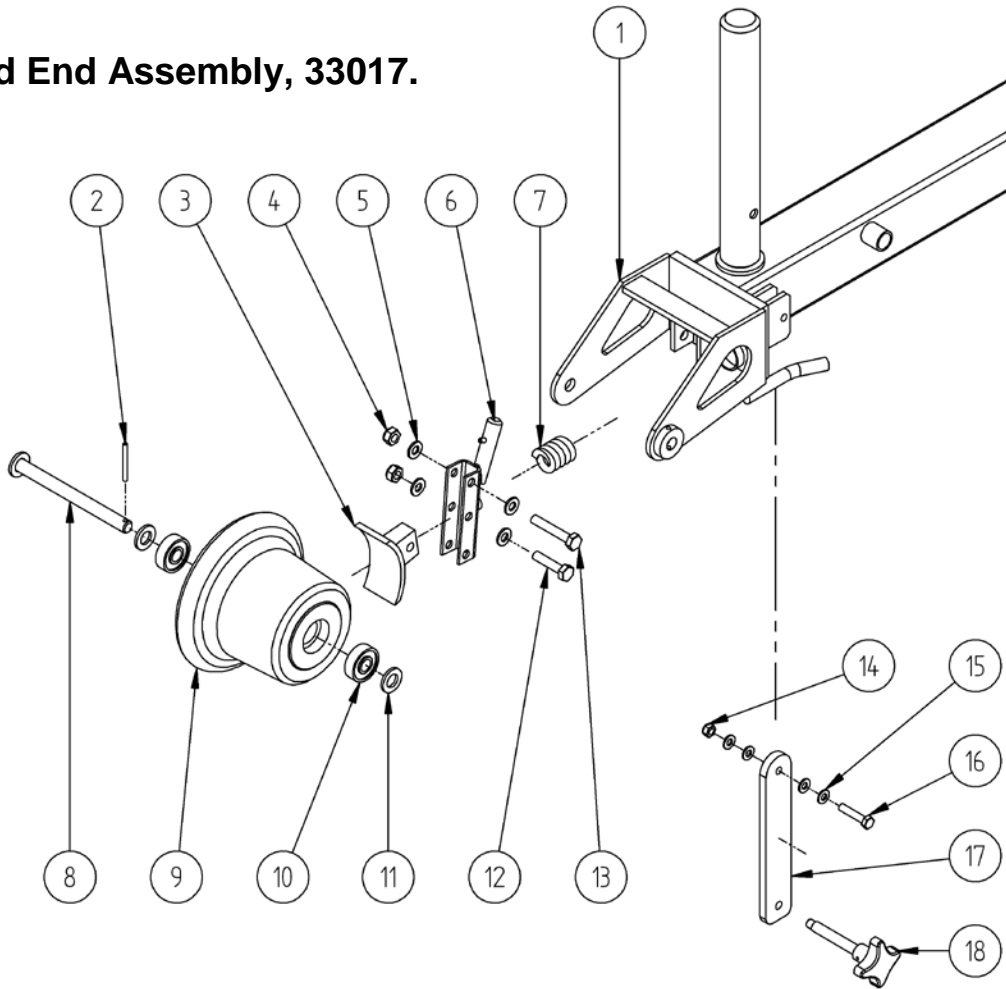
Item	Part No.	Description	Qty
1	33029	BRAKE HANDLE ASSEMBLY	1
2	33017	BRAKED END ASSEMBLY	1
3	33015	UNBRAKED END ASSEMBLY	1
4	33027	PIN AND CHAIN ASSEMBLY	1
5	33030	LABEL	1
6	32984	SERIAL NUMBER LABEL	1

### 3.2 Unbraked End Assembly, 33015.



Item	Part No.	Description	Qty
1	33016	UNBRAKED END W/A	1
2	040221232	Ø3/16" x 2" LG SELOC PIN	1
3	33031	AXLE PIN ASSY	1
4	040420012	M8 Zn PLATED NYLOC NUT	1
5	33021	SWING PLATE	1
6	040285104	M8 Zn PLATED PLAIN WASHER	4
7	040305030	M8 x 40 Zn PLATED HEX HD BOLT	1
8	33025	HANDLE ASSEMBLY	1
9	040285123	M16 HD PLAIN WASHER	2
10	040560027	BEARING	2
11	28567	PARALLEL NYLON WHEEL (<S/N 00052/10 2007)	1
	36020	TAPERED NYLON WHEEL (>S/N 00088/01 2007)	1
	05104	TAPERED ALUMINIUM WHEEL (>S/N 00088/01 2010)	1
12	040320260	M6 x 25 Zn PLATED SKT BUTTON HD SCREW	4
13	040285103	M6 Zn PLATED PLAIN WASHER	4
14	33268	LIGHT BRACKET W/A	2

### 3.3 Braked End Assembly, 33017.




Item	Part No.	Description	Qty
1	33018	BRAKE END W/A	1
2	040221232	Ø3/16" x 2" LG SELOC PIN	1
3	28541	BRAKE PAD ASSEMBLY	1
4	040420013	M10 Zn PLATED NYLOC NUT	2
5	040285105	M10 Zn PLATED PLAIN WASHER	4
6	33024	PIN MOUNTING	1
7	040980051	Ø1 1/4" OD x 2" LG DIE SPRING	1
8	33031	AXLE PIN ASSY	1
9	28567	PARALLEL NYLON WHEEL (<S/N 00052/10 2007)	1
	36020	TAPERED NYLON WHEEL (>S/N 00088/01 2007)	1
	05104	TAPERED ALUMINIUM WHEEL (>S/N 00790/01 2010)	1
10	040560027	BEARING	2
11	040285123	M16 HD PLAIN WASHER	2
12	040315091	M10 x 45 Zn PLATED HEX HD SCREW	1
13	040305048	M10 x 60 Zn PLATED HEX HD BOLT	1
14	040420012	M8 Zn PLATED NYLOC NUT	1
15	040285104	M8 Zn PLATED PLAIN WASHER	4
16	040305030	M8 x 40 Zn PLATED HEX HD BOLT	1
17	33021	SWING PLATE	1

18	33025	HANDLE ASSEMBLY	1
----	-------	-----------------	---



#### 4. MAIN COMPONENTS AND ASSEMBLIES

DESCRIPTION		PADS Cat. No.	PART NO
Scaffold Trolley (without Scaffold Tower shown)			33014

For spare parts not shown please contact Permaquip Ltd for further information and support.

Our contact details are shown on the front of this Spare Parts List.

In order to avoid delay and to have your orders fulfilled promptly,

**Please telephone, e-mail, fax or write giving the following information:**

- 1. Company name.**
- 2. Contact details.**
- 3. Invoicing and delivery details.**
- 4. Purchase order number.**
- 5. Method of delivery.**
- 6. Part number, description and quantity for each item.**

