

Hydraulic Equipment

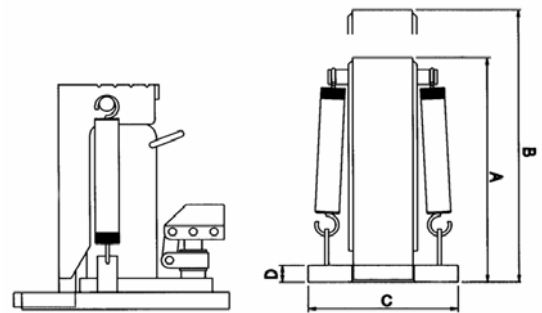
Toe Jacks



ALJ-52.5



- ◆ **Capacity: 5 - 30 tonnes**
- ◆ **Lifts from head or toe**
- ◆ **Maximum pressure: 700 bar**
- ◆ **Stroke 120 - 160mm**
- ◆ **For use in very confined work areas**



MODEL	CYLINDER CAPACITY t		STROKE mm	RETRACTED	EXTENDED	BASE	BASE	WEIGHT (KGS)
	(HEAD)	(TOE)		A	B	C	D	
ALJ-52.5	5	2.5	120	243	363	170 X 230	19	11
ALJ-105	10	5	150	290	440	188 X 260	22	19.1
ALJ-2010	20	10	160	327	487	242 X 280	28	33.6
ALJ-3015	30	15	160	347	507	273 X 308	32	51.2

Bottle Jacks



- ◆ **Capacity: 2 - 50 tonnes**
- ◆ **Adjustable screw ram cap**
- ◆ **Overload pressure valve**
- ◆ **Cost effective**

ITEM NO	CAPACITY (TONNE)	MIN HEIGHT (MM)	LIFTING HEIGHT (MM)	ADJUSTING HEIGHT (MM)	BASE PLATE LENGTH & WIDTH (MM)	WEIGHT (KGS)
ABJ-2	2	181	116	48	88 X 92	2.7
ABJ-3	3	194	118	60	92 X 100	3.3
ABJ-5	5	216	127	70	96 X 100	4.5
ABJ-8	8	230	147	80	103 X 118	6
ABJ-10	10	230	150	80	110 X 123	6.6
ABJ-12	12	230	155	80	116 X 134	7.8
ABJ-15	15	230	150	80	133 X 136	8.6
ABJ-20	20	242	150	60	144 X 150	11
ABJ-30	30	260	155	60	t.b.c.	17.5
ABJ-50	50	270	160	60	t.b.c.	27.6