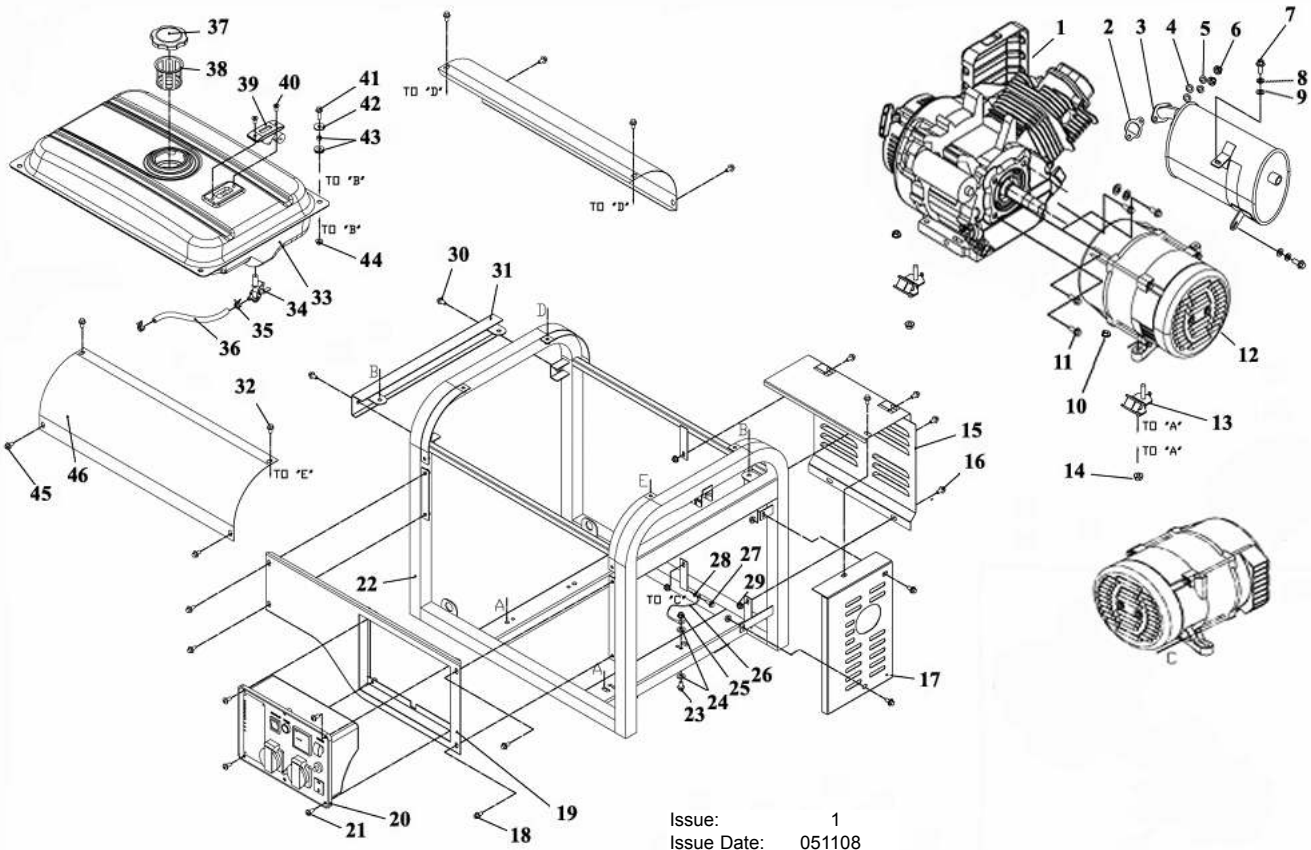


MAIN ASSEMBLY



Issue: 1
 Issue Date: 051108

| ITEM | PART NO | DESCRIPTION | ITEM | PART NO | DESCRIPTION |
|------|-----------|-------------------------|------|-----------|----------------------|
| 1 | GG2800.01 | ENGINE | 24 | GG2800.24 | GASKET |
| 2 | GG2800.02 | MUFFLER WASHER | 25 | GG2800.25 | NUT M6 |
| 3 | GG2800.03 | MUFFLER | 26 | GG2800.26 | WIRE |
| 4 | GG2800.04 | WASHER M8 | 27 | GG2800.27 | FLANGE BOLT (M8*12) |
| 5 | GG2800.05 | SPRING WASHER | 28 | GG2800.28 | GASKET |
| 6 | GG2800.06 | NUT M8 | 29 | GG2800.29 | M6 FLANGE NUT |
| 7 | GG2800.07 | FLANGE BOLT (M8*20) | 30 | GG2800.30 | FLANGE BOLT (M6*12) |
| 8 | GG2800.08 | SPRING WASHER M8 | 31 | GG2800.31 | UPPER SIDE BAR |
| 9 | GG2800.09 | M8 WASHER | 32 | GG2800.32 | M6x12mm FLANGE BOLT |
| 10 | GG2800.10 | NUT M8 | 33 | GG2800.33 | 15L FUEL TANK |
| 11 | GG2800.11 | M8x25mm BOLT | 34 | GG2800.34 | FUEL SWITCH |
| 12 | GG2800.12 | ALTERNATOR A'SSY | 35 | GG2800.35 | CLAMP |
| 13 | GG2800.13 | SHOCK ABSORBER | 36 | GG2800.36 | 8x20mm FUEL PIPE |
| 14 | GG2800.14 | M8 NUT | 37 | GG2800.37 | FUEL TANK CAP ASS'Y |
| 15 | GG2800.15 | MUFFLER COVER | 38 | GG2800.38 | FILTER CUP |
| 16 | GG2800.16 | M6x12mm BOLT | 39 | GG2800.39 | CONTROL PANEL |
| 17 | GG2800.17 | MUFFLER COVER (SIDE) | 40 | GG2800.40 | M5x12mm SCREW |
| 18 | GG2800.18 | M6x12mm BOLT | 41 | GG2800.41 | M6x12mm FLANGE BOLT |
| 19 | GG2800.19 | PANEL FOR CONTROL BOARD | 42 | GG2800.42 | M6x18mm PLAIN WASHER |
| 20 | GG2800.20 | CONTROL PANEL ASS'Y | 43 | GG2800.43 | SHOCK ABSORBER |
| 21 | GG2800.21 | M6x12mm SCREW | 44 | GG2800.44 | FLANGE NUT M6 |
| 22 | GG2800.22 | FRAME | 45 | GG2800.45 | FLANGE BOLT (M6*12) |
| 23 | GG2800.23 | M6x12mm FLANGE BOLT | 46 | GG2800.46 | UPPER PANEL |

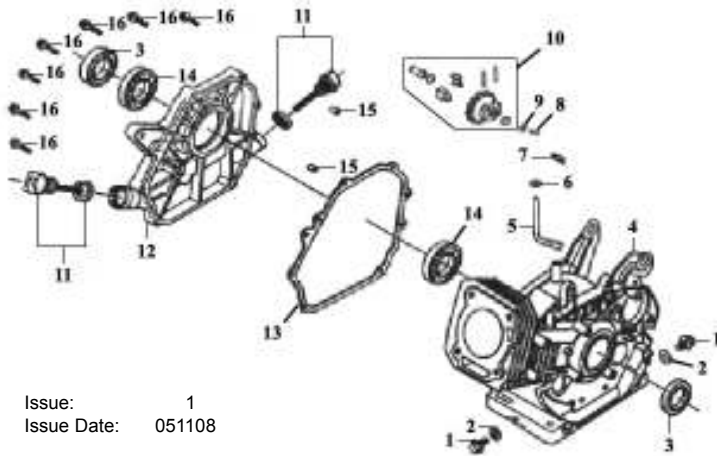
NOTE: It is our policy to continually improve products and as such we reserve the right to alter data, specifications and component parts without prior notice.

IMPORTANT: No liability is accepted for incorrect use of product.

WARRANTY: Guarantee is 12 months from purchase date, proof of which will be required for any claim.

INFORMATION: For a copy of our latest catalogue and promotions call us on 01284 757525 and leave your full name and address, including postcode.

CRANKCASE PARTS

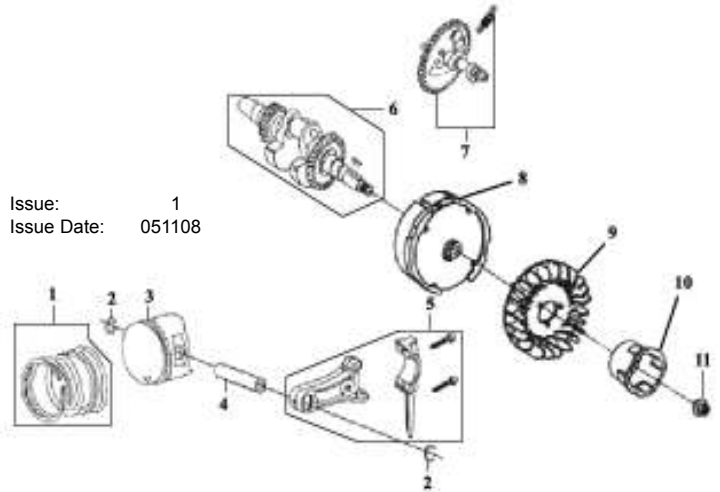


| ITEM | PART NO | DESCRIPTION |
|------|-------------|----------------------|
| 1 | GG2800.CC1 | DRAIN PLUG |
| 2 | GG2800.CC2 | WASHER, DRAIN PLUG |
| 3 | GG2800.CC3 | OIL SEAL, CRANKSHAFT |
| 4 | GG2800.CC4 | CRANKCASE |
| 5 | GG2800.CC5 | REGULATING BAR |
| 6 | GG2800.CC6 | WASHER |
| 7 | GG2800.CC7 | SPLIT PIN |
| 8 | GG2800.CC8 | REGULATING SHAFT |
| 9 | GG2800.CC9 | SNAP RING |
| 10 | GG2800.CC10 | DRIVEN GEAR ASS'Y |
| 11 | GG2800.CC11 | DIPSTICK WITH SEAL |
| 12 | GG2800.CC12 | CRANKCASE COVER |
| 13 | GG2800.CC13 | CRANKCASE GASKET |
| 14 | GG2800.CC14 | BEARING 6205 |
| 15 | GG2800.CC15 | SET PIN 8x14 |
| 16 | GG2800.CC16 | BOLT (M8*33.5) |

Issue: 1
 Issue Date: 051108

CRANKSHAFT / PISTON / CAMSHAFT / FLYWHEEL ASS'Y PARTS

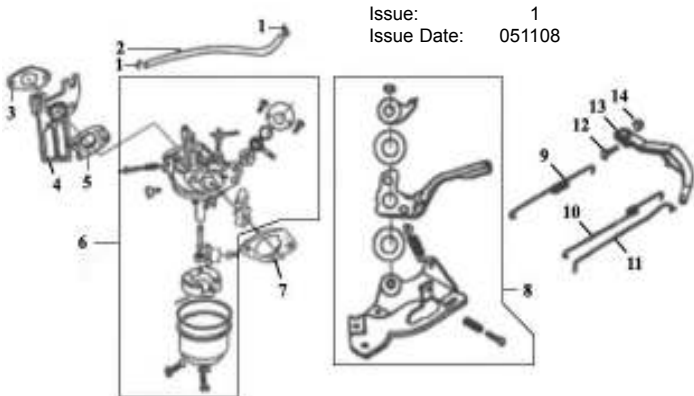
| ITEM | PART NO | DESCRIPTION |
|------|-------------|--------------------|
| 1 | GG2800.CS1 | PISTON RING SET |
| 2 | GG2800.CS2 | PISTON PIN CIRCLIP |
| 3 | GG2800.CS3 | PISTON |
| 4 | GG2800.CS4 | PISTON PIN |
| 5 | GG2800.CS5 | CONNECT ROD ASS'Y |
| 6 | GG2800.CS6 | CRANKSHAFT ASS'Y |
| 7 | GG2800.CS7 | CAMSHAFT ASS'Y |
| 8 | GG2800.CS8 | FLYWHEEL |
| 9 | GG2800.CS9 | FLYWHEEL FAN |
| 10 | GG2800.CS10 | STARTING FLANGE |
| 11 | GG2800.CS11 | NUT M14x1.5 |



Issue: 1
 Issue Date: 051108

FUEL SUPPLY PARTS

| ITEM | PART NO | DESCRIPTION |
|------|-------------|--------------------------|
| 1 | GG2800.FS1 | PIPE CLAMP |
| 2 | GG2800.FS2 | FUEL PIPE |
| 3 | GG2800.FS3 | INLET GASKET |
| 4 | GG2800.FS4 | CONNECTING BLOCK |
| 5 | GG2800.FS5 | CARBURETTOR GASKET |
| 6 | GG2800.FS6 | CARBURETTOR ASS'Y |
| 7 | GG2800.FS7 | GASKET, AIR CLEANER |
| 8 | GG2800.FS8 | REGULATING CONTROL A'SSY |
| 9 | GG2800.FS9 | BACK SPRING |
| 10 | GG2800.FS10 | REGULATING SPRING |
| 11 | GG2800.FS11 | PULLING ROD |
| 12 | GG2800.FS12 | LOCK BOLT |
| 13 | GG2800.FS13 | REGULATING ARM |
| 14 | GG2800.FS14 | NUT M6 |



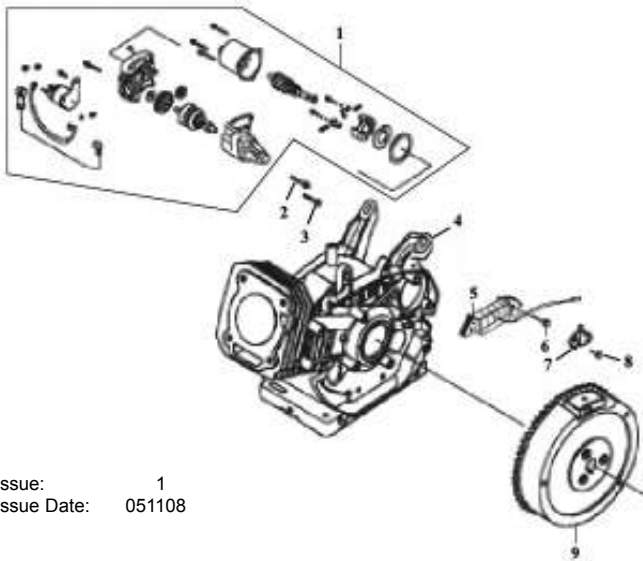
Issue: 1
 Issue Date: 051108

NOTE: It is our policy to continually improve products and as such we reserve the right to alter data, specifications and component parts without prior notice.

IMPORTANT: No liability is accepted for incorrect use of product.

WARRANTY: Guarantee is 12 months from purchase date, proof of which will be required for any claim.

INFORMATION: For a copy of our latest catalogue and promotions call us on 01284 757525 and leave your full name and address, including postcode.



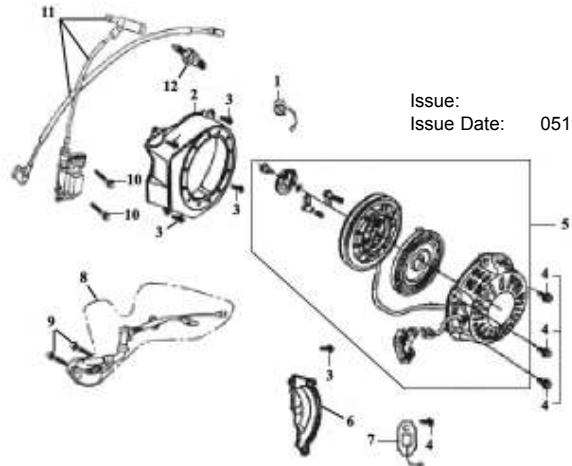
Issue: 1
 Issue Date: 051108

ELECTRIC STARTER PARTS

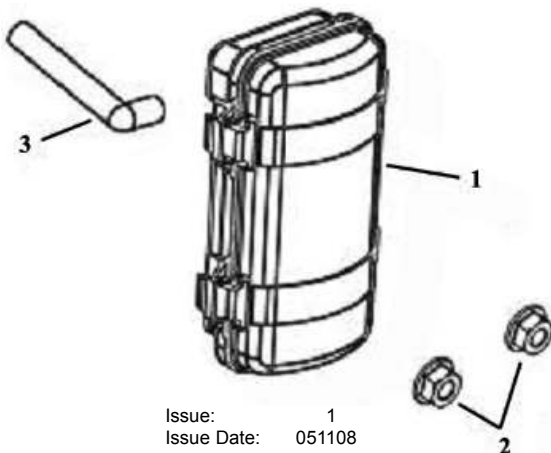
| ITEM | PART NO | DESCRIPTION |
|------|------------|----------------------|
| 1 | GG2800.ES1 | STARTING MOTOR ASS'Y |
| 2 | GG2800.ES2 | BOLT (M6*28) |
| 3 | GG2800.ES3 | BOLT M6x32 |
| 4 | GG2800.ES4 | CRANKCASE |
| 5 | GG2800.ES5 | RELAY |
| 6 | GG2800.ES6 | BOLT M6x35 |
| 7 | GG2800.ES7 | CORD CLAMP |
| 8 | GG2800.ES8 | BOLT M6x12 |
| 9 | GG2800.ES9 | FLYWHEEL |

RECOIL STARTER & IGNITION COIL ASS'Y PARTS

| ITEM | PART NO | DESCRIPTION |
|------|-------------|----------------------|
| 1 | GG2800.RS1 | ENGINE SWITCH |
| 2 | GG2800.RS2 | FAN COVER ASS'Y |
| 3 | GG2800.RS3 | BOLT (M6*12) |
| 4 | GG2800.RS4 | BOLT (M6*8) |
| 5 | GG2800.RS5 | RECOIL STARTER ASS'Y |
| 6 | GG2800.RS6 | SHROAD SHROUD |
| 7 | GG2800.RS7 | DIODE |
| 8 | GG2800.RS8 | OIL SENSOR |
| 9 | GG2800.RS9 | BOLT (M6*14) |
| 10 | GG2800.RS10 | BOLT M6x22 |
| 11 | GG2800.RS11 | IGNITION COIL ASS'Y |
| 12 | GG2800.RS12 | SPARK PLUG |



Issue: 1
 Issue Date: 051108



Issue: 1
 Issue Date: 051108

AIR CLEANER PARTS

| ITEM | PART NO | DESCRIPTION |
|------|------------|-------------------|
| 1 | GG2800.AC1 | AIR CLEANER ASS'Y |
| 2 | GG2800.AC2 | NUT M6 |
| 3 | GG2800.AC3 | AIR PIPE |

NOTE: It is our policy to continually improve products and as such we reserve the right to alter data, specifications and component parts without prior notice.

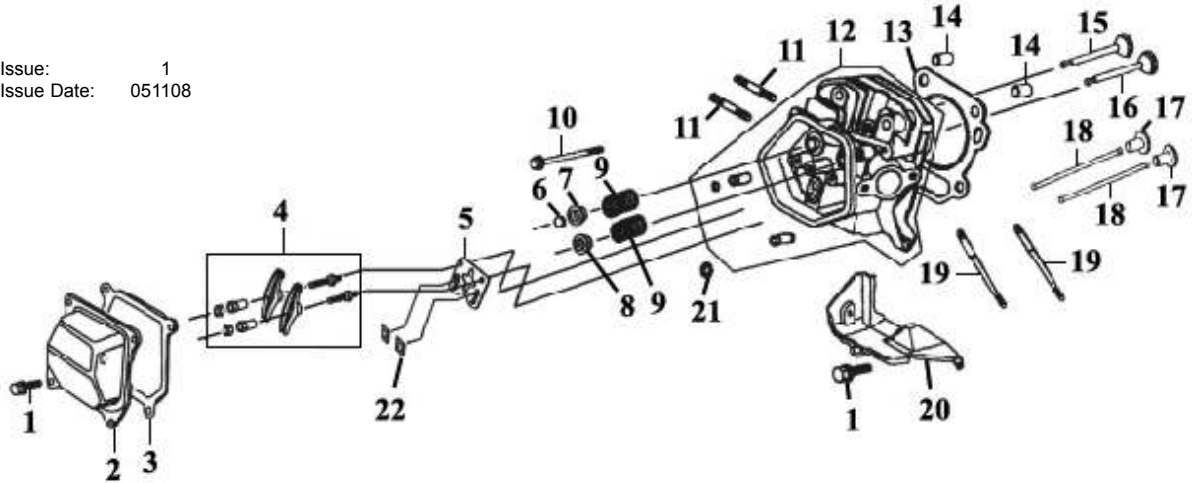
IMPORTANT: No liability is accepted for incorrect use of product.

WARRANTY: Guarantee is 12 months from purchase date, proof of which will be required for any claim.

INFORMATION: For a copy of our latest catalogue and promotions call us on 01284 757525 and leave your full name and address, including postcode.

CYLINDER HEAD PARTS

Issue: 1
 Issue Date: 051108



| ITEM | PART NO | DESCRIPTION | ITEM | PART NO | DESCRIPTION |
|------|-------------|-----------------------------|------|-------------|----------------------|
| 1 | GG2800.CH1 | BOLT M6x12 | 12 | GG2800.CH12 | CYLINDER HEAD ASS'Y |
| 2 | GG2800.CH2 | CYLINDER HEAD COVER | 13 | GG2800.CH13 | CYLINDER HEAD GASKET |
| 3 | GG2800.CH3 | GASKET, CYLINDER HEAD COVER | 14 | GG2800.CH14 | SET PIN |
| 4 | GG2800.CH4 | VALVE ROCKER ASS'Y | 15 | GG2800.CH15 | EXHAUST VALVE |
| 5 | GG2800.CH5 | PUSH GUIDE | 16 | GG2800.CH16 | INTAKE VALVE |
| 6 | GG2800.CH6 | CAP | 17 | GG2800.CH17 | TAPPET |
| 7 | GG2800.CH7 | EXHAUST SPRING SEAT | 18 | GG2800.CH18 | PUSHER |
| 8 | GG2800.CH8 | INTAKE SPRING SEAT | 19 | GG2800.CH19 | STUD AM6x105 |
| 9 | GG2800.CH9 | VALVE SPRING | 20 | GG2800.CH20 | COVER |
| 10 | GG2800.CH10 | BOLT M8x60 | 21 | GG2800.CH21 | OIL SEAL, PIPE |
| 11 | GG2800.CH11 | STUD AM8x34 | 22 | GG2800.CH22 | NYLON, LINING |

NOTE: It is our policy to continually improve products and as such we reserve the right to alter data, specifications and component parts without prior notice.

IMPORTANT: No liability is accepted for incorrect use of product.

WARRANTY: Guarantee is 12 months from purchase date, proof of which will be required for any claim.

INFORMATION: For a copy of our latest catalogue and promotions call us on 01284 757525 and leave your full name and address, including postcode.