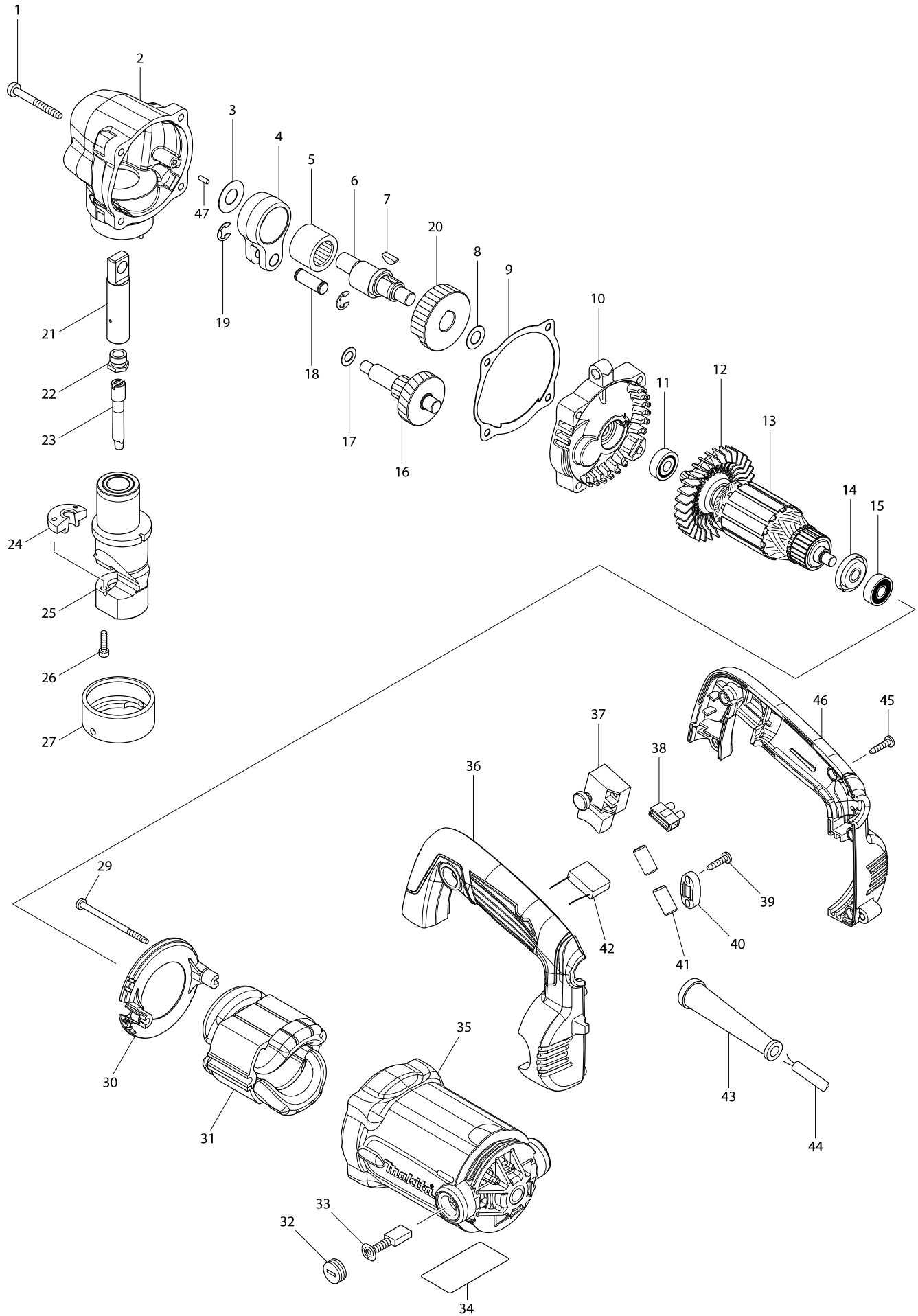


Model No. JN3201 3.2MM NIBBLER



Model No. JN3201 3.2MM NIBBLER

Item	Parts No.	Description	I/C	QTY	N/O	Opt. 1	Opt. 2	NOTE
001	266056-5	TAPPING SCREW 5X45		4		100		
002	141797-3	GEAR HOUSING COMPLETE		1		100		
C10	800S41-8	INDICATION LABEL		1		100		
003	253759-0	FLAT WASHER 12		1		100		
004	331167-6	ROD		1		100		
005	212306-6	NEEDLE BEARING 2020		1		100		
006	321408-8	CRANK SHAFT		1		100		
007	254001-2	WOODRUFF KEY 4		1		100		
008	253758-2	FLAT WASHER 10		1		100		
009	442186-8	GASKET		1	*	100		
009-1	442186-8	GASKET	O	1		100		
010	141796-5	GEAR HOUSING COVER COMPLETE		1		100		
C10	263002-9	RUBBER PIN 4		1		100		
011	211031-6	BALL BEARING 608LLB		1		100		
012	240094-5	FAN 70		1		100		
D10		INC. 11,12,14,15						
013A	513856-7	ARMATURE ASS'Y 115V		1		151		
013B	513859-1	ARMATURE ASS'Y 240V		1		151		
014	681644-1	INSULATION WASHER		1		100		
015	210029-0	BALL BEARING 608ZZ		1		100		
016	226060-6	GEAR COMPLETE 15-46		1		100		
017	253215-0	FLAT WASHER 8		1		100		
018	321418-5	PIN 9		1		100		
019	961013-5	STOP RING E-7		2		100		
020	221880-3	SPUR GEAR 44		1		100		
021	152486-5	PUNCH HOLDER COMPLETE		1		100		
022	321406-2	SCREW		1		100		
023	792728-1	PUNCH		1				
024	792292-2	DIE		1				
025	152176-0	DICE HOLDER COMPLETE		1		100		
026	922127-5	HEX. SOCKET HEAD BOLT M4X16		2		100		
027	321415-1	LOCK NUT		1		100		
029	266340-8	TAPPING SCREW 4X65		2		100		
030	454140-0	BAFFLE PLATE		1		100		
C10	654020-2	RING TERMINAL		2		100		
C20	654501-6	CONNECTOR P-1.25		2		100		
031A	525866-2	FIELD ASS'Y 115V		1		152		
031B	525869-6	FIELD ASS'Y 240V		1		152		
032	643750-0	BRUSH HOLDER CAP 7-11		2	*	100		
032-1	643515-0	HOLDER CAP 7-11	O	2				
033	191963-2	CARBON BRUSH CB-303		1		100		
034	814C94-5	JN3201 NAME PLATE		1		100		
035	158278-0	MOTOR HOUSING COMPLETE		1		100		
C10	643708-9	BRUSH HOLDER 5-11		2		100		
036	187532-5	HANDLE SET		1		100		
D10		INC. 46						
037	651284-9	SWITCH SGEL115CDY-6		1		100		
038	654532-5	TERMINAL BLOCK 1P		1		100		

