

PROSTEAM[®]

PROFESSIONAL STEAM WALLPAPER STRIPPERS

LCS240

STEAMMASTER[®]

PROFESSIONAL STEAM WALLPAPER STRIPPERS

LMB240

(EN)

OPERATING INSTRUCTIONS

PLEASE READ THESE INSTRUCTIONS CAREFULLY BEFORE USE

Thank you for purchasing an Earlex[®] Steam Wallpaper Stripper.
In order to obtain the best results please read the instructions before commencing any work. Please also
make a special note of the safety rules.

**EARLEX WILL ACCEPT NO RESPONSIBILITY SHOULD THIS PRODUCT BE USED FOR
ANY PURPOSES OTHER THAN THOSE DETAILED HEREIN.**

RETAIN FOR FUTURE REFERENCE

Patent: PCT/US 5,542,021

(FR)

MODE D'EMPLOI

LISEZ ATTENTIVEMENT CES INSTRUCTIONS AVANT L'EMPLOI

Pour obtenir les meilleurs résultats, lisez les instructions avant de commencer tout travail.

Accordez une attention toute particulière aux règles de sécurité.

**LES FABRICANTS N'ACCEPTERONT AUCUNE RESPONSABILITÉ POUR CE PRODUIT S'IL EST UTILISÉ
DANS DES BUTS DIFFÉRENTS DE CEUX DÉCRITS CI-DESSOUS.**

CONSERVEZ CES INTRUCTIONS POUR REFERENCE ULTERIEURE

Patent: PCT/US 5,542,021

(NL)

GEBRUIKSAANWIJZINGEN

VÓÓR GEBRUIK DEZE AANWIJZINGEN ZORGVULDIG LEZEN

U verkrijgt de beste resultaten als u de aanwijzingen leest voordat u met het werk begint.

Besteed ook veel aandacht aan de veiligheidsregels.

**DE FABRIKANTEN NEMEN GEEN ENKELE VERANTWOORDELIJKHEID VOOR HET GEBRUIK VAN DIT
PRODUCT OP ENIGE ANDERE WIJZE DAN HIERONDER VERMELD.**

BEWAAR DE AANWIJZINGEN VOOR EVENTUEEL LATERE RAADPLEGING

Patent: PCT/US 5,542,021

(DE)

BEDIENUNGSANLEITUNG

BITTE LESEN SIE DIESE ANLEITUNG VOR GEBRAUCH SORGFÄLTIG

Um die besten Resultate zu erreichen, sollten Sie diese Bedienungsanleitung vor Gebrauch sorgfältig lesen.

Bitte notieren Sie die speziellen Hinweise auf die Sicherheitsvorschriften.

**DER HERSTELLER ÜBERNIMMT KEINE HAFTUNG FÜR DIE VERWENDUNG DIESES PRODUKTS, WENN
DIESE SICH VON DEM HIERIN BESCHRIEBENEN ZWECK
UNTERSCHIEDET.**


BEWAHREN SIE SIE AN EINEM ORT AUF, AN DEM SIE SIE IN ZUKUNFT FINDEN KÖNNEN

Patent: PCT/US 5,542,021



SAFETY RULES



- Keep unit away from children and animals.
- DO NOT pull by the supply cord or the steam hose.
- Be careful of overhead dripping, when using on overhead areas tilt the steam plate away from the face and body, and regularly empty the steamplate of any collected condensation.
- DO NOT leave unattended.
- DO NOT point the steamplate at anyone or direct towards any electrical equipment.
- DO NOT allow water or steam to enter light switches or mains socket-outlets.
- Always use and store upright. Always empty unit after use.
- Always visually check that the hose and steamplate inlet are not blocked before attempting to use.
- Fully uncoil supply cord and hose before commencing use.
- DO NOT strain, kink or trap the hose under heavy objects.
- Use only 4psi pressure cap as supplied. It is also a safety valve. NEVER BLOCK OFF THIS OUTLET.
- NEVER remove the pressure cap when unit is boiling - switch off and wait for 5 minutes.
- Always disconnect power supply when filling the machine or when not in use.
- DO NOT use any caustic cleaners on the tank.
- DO NOT allow to boil dry.
- DO NOT overfill the reservoir.
- DO NOT USE ADDITIVES.
- NEVER detach the hose whilst the unit is switched on.
- The tank becomes hot in use. DO NOT touch. Only move with the carrying frame.
-  CAUTION! Steam is produced at 100°C. Wear protective clothing and gloves when operating this stripper.
- DO NOT USE THIS STRIPPER FOR ANY PURPOSES OTHER THAN THOSE DETAILED IN THESE INSTRUCTIONS.
- Under no circumstances should you attempt to repair a unit unless qualified and authorised to do so. Use only genuine Earlex replacement parts.
- If unit is exposed to excessive heat, as in the case of fire, it should be removed from service and destroyed due to loss of structural strength.
- Before using, check all parts for proper function and damage to component parts.
- DO NOT use a damaged or improperly functioning stand/frame. When standing on the Earlex® SteamMaster® always remain within the confines of the step and do not over-reach.
- Use a residual current device (RCD) rated 30mA at mains supply socket-outlet for added protection against electric shock.
- Maximum weight for standing on the Earlex SteamMaster® is 127kg (20 stone) and no more than one person at a time.
- This appliance can be used by persons aged 14 years and above.
- If the supply cord is damaged, it must be replaced by the manufacturer, its service agent or similarly qualified persons in order to avoid a hazard.

STEAMMASTER®

- MAX weight for standing on the unit is 127kg (20 stone) and no more than one person.
- DO NOT permit oil, grease or slippery material to accumulate on the step.
- DO NOT allow objects to accumulate on the step.
- DO NOT use a ladder or other device on the step to gain greater heights.
- DO NOT apply impact loads to the step.

PRO-STEAM®

- NEVER stand on the unit or use it as a platform.

 **WARNING!**

- Supply cord must be connected to a grounded (3 prong) mains socket-outlet.
- Arrange replacement of a worn or damaged supply cord.
NEVER repair a supply cord.
- Removal of grounding pin VOIDS guarantee.

Technical Specifications

Voltage	220-240V
Wattage	2400W
Frequency	50-60Hz
Tank capacity (to MAX fill level)	7.5 ltrs

Extension Leads

If you are using an extension lead it must be rated at a minimum of 15 Amps and fully unwound. Do not operate with an extension lead rated less than 15 Amps as this will cause premature failure of the element which is not covered by the guarantee.

Main Features

The Earlex® Steamers are professional, fast-action steam wallpaper strippers. They have many added features:

- Each tank is individually pressure-tested.
- Storage for the hose and the supply cord.
- Neon mains On/Off switch.
- Cooler running steam hose.

 **CAUTION!**

Check the state of your plaster before starting work.

Steam can loosen weak, porous or poorly bonded plaster - which also loosens readily if cracked, holed or if steamplate is held in one position for too long after the paper is soaked.

Weak plaster can normally be detected by tapping a few areas of the wall. A hollow sound indicates that you should proceed only with extreme care - stopping immediately if you hear a cracking sound or plaster starts to break loose.

The steam stripper is safe for drywall/plaster board surfaces but whatever the material, it is always wise to check a small area before starting work.

Protect your home!

The heat generated by the boiler unit can mark carpets, soft furnishings, table tops, cabinets, etc. Dust sheets or newspapers are not suitable heat protectors for delicate surfaces.

SYMBOLS**WARNING****STEAM****STEAM IS HOT!**

Danger steam is hot and can cause burning. Steam can also produce boiling drops of water.

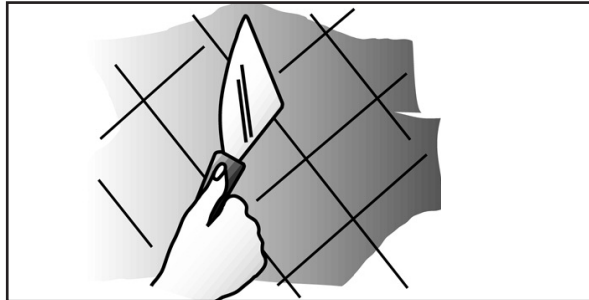
Steam must not be directed towards electrical appliances.

This symbol represents danger of burning from the pressure cap.

Note: Prior to use there will be certain resistance in the hose which will become more pliant / flexible with continued use.

PREPARATION

To achieve fast paper removal always gently score the areas to be stripped. With heavily embossed, vinyl-coated or painted papers this is essential. Either use a proprietary perforator tool or alternatively score the paper with the edge of a wall scraper in a 'criss-cross' pattern with 150mm (6 inch) spacing. As with all decorating work be sure to protect carpets and furniture with covers.



IF THE PLASTER ON YOUR WALL IS NOT SOUND IT IS POSSIBLE THAT THE STEAM WILL CAUSE THIS TO BLOW AND REQUIRE REPLACING. CHECK THAT THE PLASTER IS SOUND BEFORE YOU PROCEED.

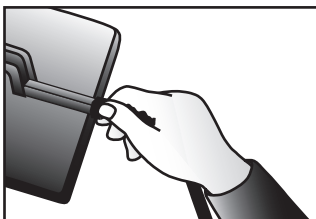
OPERATION



STEAM IS HOT! The unit is designed for safe, fast removal of wallpaper but you must be aware that steam is produced at 100°C so be careful, wear protective clothing and protect your hands with heat-resistant gloves or mitts. Place the unit on a flat and level surface near to the area to be stripped. Remove the steamplate. FULLY UNCOIL the hose and supply cord. Connect the thread on the steamplate to the end of the hose. This only needs to be hand-tight.

DO NOT OVER-TIGHTEN.

If the steamplate is fitted with a metal swivel joint, tighten hose nut to thread using two spanners. The steamplate can remain permanently attached to the hose thereafter. To fill the unit, remove the pressure / filler cap and fill to the MAX water level as shown on the glass panel at the end of the tank. This must be clean water, preferably hot.



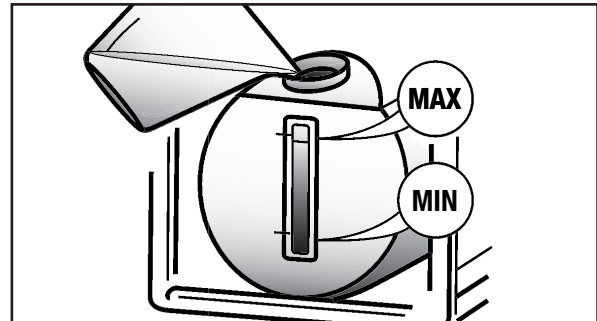
DO NOT USE ADDITIVES - DO NOT OVERFILL. Connect the supply cord from the unit to the mains socket-outlet and switch on. The mains switch on

the unit has a neon light and will light when the unit is on. It will take between 10 and 20 minutes for the unit to start producing steam depending on the temperature of the water used.

DO NOT LEAVE UNATTENDED.

Once steam is being produced at the steamplate you are ready to commence operation.

Prior to the steam being produced a small amount



of bubbling will occur at the steamplate. **WARNING!** Beware of hot water discharge prior to steam emission. When the steam has been produced, lift the steamplate above the level of the tank outlet to allow condensed steam to run back down the hose and into the tank.

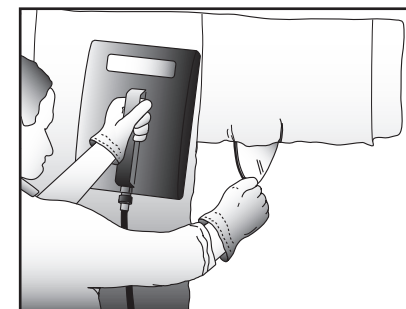
If you are right-handed hold the steamplate in your left hand and place flat against the wall where you wish to commence removal.

Leave the steamplate against the wall for approximately 10 seconds. If you are left-handed you may find it easier to operate with the other hand.

Move the steamplate to the section immediately next to where you have just been working and use a wallpaper scraper to remove the section that has just been steamed. By working in this way you should be able to remove paper continually. You may have to leave the steamplate against the wall for longer periods with some papers or re-steam if not completely removed.

The water level is shown through the glass level indicator and should not be allowed to fall below MIN. Switch the unit off when this level has been reached.

If you require further use of the steamer, allow the unit to cool for a minimum of 5 minutes. Remove



the pressure/filler cap carefully.



BEWARE OF STEAM! Refill to the MAX level indicator as before and follow the

There is a safety thermal cut-out device fitted to the unit. If the unit is allowed to boil dry this will operate and prevent further use. Switch the unit off and allow it to cool for at least 5 minutes, refill with water and then switch on again. The thermal cut-out should automatically reset. If this has not reset allow a further cooling period.

When you have finished using the unit allow any remaining water to cool and then empty the unit. We recommend flushing the tank out with clean water before storing.

NEVER LEAVE WATER IN THE UNIT WHILST BEING STORED.

Pressure/Filler Cap

To fit - screw onto the filler neck hand-tight. Do not over-tighten.

To remove - ensure unit is switched off and has stopped boiling. Wait for 5 minutes. Slowly unscrew the cap; any remaining trapped steam



will be released from beneath the cap.

CAUTION! - Steam is very hot - wear a glove and keep face clear. Refill to the MAX level indicator as before and follow above instructions.

ACCESSORIES

A range of accessories is available for use with your Earlex Professional Steamer;

SSP SMALL STEAMPLATE

For stripping small awkward areas.
Plate size 6" x 3".

Other Uses

The steamers can also be used to:

- Remove Artex®.
- Lift stuck-down vinyl tiles.
- Disinfect soil.
- Kill garden weeds.

TROUBLESHOOTING

Unit Fails to Boil

- The thermal cut-out has operated. Switch off, allow to cool, refill with water then switch on again.
- If using an extension lead - check that the thermal reset button on the extension lead has not tripped out. Check that the extension lead is rated at 15 Amps minimum and fully unwound.

If the unit still will not operate return the unit to the dealer or authorised agent to check the thermal fuse link and element.

ONLY QUALIFIED ELECTRICIANS SHOULD UNDERTAKE THIS WORK.

Unit keeps cutting out

- Check that water is above MIN level.
- Check that the extension lead is rated at 15 Amps minimum and fully unwound.
- Check that no additives have been used.

Steam escaping from Pressure Cap

- Check for blockages in hose or steamplate.
- Clean seating around cap area.

Descaling

To maintain peak performance of the unit, particularly in areas of hard water, it may be necessary to descale the element in the unit. Proprietary descaling products can be used, always follow the manufacturer's instructions.

INFORMATION ON THE DISPOSAL OF WASTE ELECTRICAL & ELECTRONIC EQUIPMENT KNOWN AS WEEE

Your attention is brought to new directives applicable to the disposal of this electrical equipment, where in accordance with legislation this product must not be disposed of in your normal household waste. Instead it is your responsibility to dispose of this type of waste by handing it over to special designated collection points for recovery and recycling. This product is marked with a 'Wheelie bin' symbol with a cross on it to remind you of this action. The objective of this directive is to help conserve resources and ensure that it is recycled in a manner that protects human health and the environment. For more information about where you can drop off your waste please contact your local authority, take back facilities are free of charge.



GUARANTEE

This product is guaranteed for a period of 1 year for ordinary use and 6 months for hire purposes or where the unit is lent to other users. The tank is guaranteed against corrosion for 3 years. The guarantee is against faulty materials or workmanship. Whilst every possible care is taken by Earlex to ensure that our products leave the factory in good working order, Earlex cannot under any circumstances accept liability for problems or damage caused by their subsequent use. It is the responsibility of the user to ensure that surfaces to be treated, cleaned or stripped are suitable for steam.

This guarantee does not affect your statutory rights.

EC Declaration of Conformity

We declare that units LMB240 & LCS240 conform to:
LVD 2006/95/EC, EN 60335-2-54, EN 60335-1, EMF EN62233;
EMC 2004/108/EC, EN 55014-1, EN 61000-3-2, EN 61000-3-3.

C. King
Product Approvals & Compliance Engineer

Wagner Spraytech (UK) Ltd, Guildford, Surrey, GU1 1SZ



- Gardez l'appareil à l'écart des enfants et des animaux.
- Ne traînez pas le générateur en le tirant par le tuyau ou par le câble électrique.
- Gardez toujours le plateau écarté de votre visage ou de votre corps, méfiez-vous des gouttes brûlantes et videz régulièrement le collecteur de condensation, surtout quand vous travaillez sur le plafond ou autre endroit élevé.
- N'abandonnez pas l'appareil sans surveillance.
- Ne dirigez jamais la tuyère ou la plaque chauffante vers quelqu'un.
- Ne permettez pas à la vapeur ou à l'eau de pénétrer à l'intérieur des interrupteurs ou prises électriques.
- Toujours utiliser et entreposer en position verticale.
- Avant l'utilisation, toujours vérifier visuellement qu'il n'y a pas de blocage au niveau du tuyau et de l'orifice d'alimentation de la plaque à vapeur.
- Dérouler complètement le câble électrique et le tuyau avant de commencer à utiliser l'appareil.
- NE PAS tendre excessivement, entortiller ou coincer le tuyau sous des objets lourds. Utiliser uniquement le bouchon fourni qui est prévu pour une pression de 0.3bar Il agit également comme valve de sécurité.
NE JAMAIS BLOQUER CET ORIFICE DE SORTIE.
- NE JAMAIS retirer le bouchon à soupape de pression quand l'eau est en ébullition – mettre hors tension et attendre 5 minutes.
- Avant de monter sur le cadre, vous assurer que toutes les vis sont serrées et que le cadre n'est pas endommagé.
- Toujours couper l'alimentation électrique lors du remplissage de la machine ou lorsque celle-ci n'est pas utilisée.
- NE PAS utiliser de nettoyant caustique sur le réservoir.
- NE PAS laisser bouillir jusqu'à évaporation complète de l'eau.
- Ne pas trop remplir le réservoir.
NE PAS UTILISER D'ADDITIFS.
- Ne dévissez jamais le capuchon de remplissage pendant l'usage.
- Le réservoir chauffe durant l'utilisation. Ne pas le toucher. Ne déplacer qu'à l'aide du cadre porteur.
- La vapeur est produite à 100°C. Soyez prudent, portez des vêtements de protection et protégez-vous les mains avec des gants ou mitaines résistant à la chaleur.
- Lorsque vous êtes debout sur la décolleuse, toujours rester au niveau de la marche et ne pas trop vous pencher.
- **NE PAS UTILISER CETTE DÉCOLLEUSE DANS D'AUTRES BUTS QUE CEUX DÉTAILLÉS DANS CES INSTRUCTIONS.**
- Vous ne devez essayer de réparer l'appareil sous aucune circonstance, sauf si vous êtes qualifié et autorisé à le faire. Utilisez exclusivement des pièces détachées Earlex d'origine
- Cet appareil ne doit en aucun cas être immergé dans l'eau.
- N'utilisez que les pièces détachées Earlex destinées à cette machine.
- Utiliser un dispositif à courant résiduel (RDC) nominale 30mA au secteur d'alimentation prise afin de prévenir tout risque de choc électrique.
- Poids maximal pour reposer sur le Earlex SteamMaster® est 127kg et pas plus d'une personne à la fois.
- Cet appareil peut être utilisé par des personnes de 14 ans et plus.
- Si le cordon d'alimentation est endommagé, il doit être remplacé par le fabricant, son agent après-vente ou des personnes dûment qualifiées afin d'éviter tout danger.

STEAMMASTER®

- Le poids maximum autorisé sur l'appareil est de 127 kg et il ne peut y avoir plus d'une personne à la fois.
- Empêcher toute accumulation d'huile, de graisse ou de matériau glissant sur la marche.
- Empêcher toute accumulation d'objets sur la marche.
- NE PAS placer d'échelle ou d'autre élément sur la marche afin de gagner en hauteur.
- NE PAS appliquer de charge dynamique sur la marche.

PRO-STEAM®

- NE JAMAIS monter sur l'appareil, ni l'utiliser comme plate-forme.

AVERTISSEMENT

- Le cordon d'alimentation doit être branché à une prise électrique avec prise de terre
- Si le cordon d'alimentation est usé ou endommagé, il faut le remplacer mais il ne faut jamais le réparer.
- Si la prise de terre est enlevée, ceci ANNULERA la garantie

Rallonges

Si vous utilisez une rallonge, vérifiez qu'elle convient à un courant de 15 A et qu'elle est entièrement déroulée. N'utilisez jamais une rallonge qui ne convient pas à un courant de 15 A. Ceci pourrait provoquer une panne prématurée de l'élément. Ceci ne serait pas couvert par la garantie.

ATTENTION !

Vérifiez l'état du plâtre avant de commencer vos travaux.

La vapeur peut détacher les plâtres faibles, poreux ou mal pris. Ces plâtres peuvent aussi se détacher s'ils sont fendus, troués ou si la plaque chauffante est maintenue en place longtemps après que le papier est imprégné. On peut généralement localiser les plâtres faibles en tapant légèrement à différents endroits du mur.

Un son creux vous indiquera où il faut être prudent. Arrêtez immédiatement si vous entendez un craquement ou si le plâtre commence à se laisser aller.

Vous pouvez utiliser l'appareil en toute sécurité sur les murs secs / plaques gypro, mais quel que soit le matériau, il est toujours prudent d'essayer d'abord sur une petite surface.

Spécifications techniques

Tension :	220-240V
Puissance :	2400W
Fréquence :	50-60Hz
Capacité du réservoir (jusqu'au repère MAXI.) :	7,5 l

Principales caractéristiques

Les appareils à vapeur Earlex® Steamers sont des décolleuses professionnelles ultra-rapides. Elles sont dotées de caractéristiques perfectionnées :

- Tous les réservoirs sont soumis à des essais de pression
- Un rangement est prévu pour le tuyau et le cordon d'alimentation
- L'interrupteur marche/arrêt de l'alimentation secteur est muni d'un voyant
- Un tuyau est prévu pour refroidir la vapeur ambiante

Protégez Votre Maison!

La chaleur produite par le générateur de vapeur peut marquer la moquette, les tables, meubles, etc.

Les toiles de protection et les journaux ne constituent pas une protection suffisante pour les surfaces délicates.

SYMBOLES

ATTENTION



VAPEUR



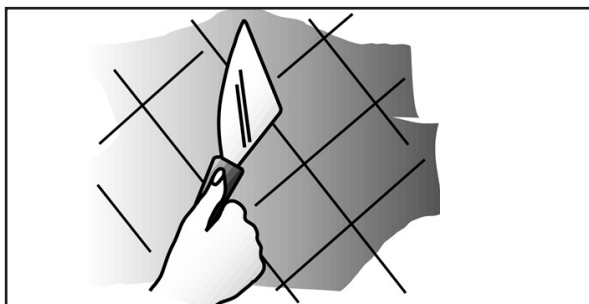
LE VAPEUR EST CHAUDE!

Avertissement : Un liquide chaud ou la vapeur peuvent brûler. Danger de brûlure. La vapeur peut également se condenser en de bouillantes gouttelettes. La vapeur ne doit pas être dirigée en direction d'appareils électriques. Le symbole ci-contre représentant le danger de brûlure apparaît sur le bouchon du réservoir de l'appareil.


Remarque: Le tuyau peut sembler un peu rigide lors de la 1ère utilisation, il deviendra plus flexible en cours d'utilisation.

Préparation

Pour accélérer le soulèvement du papier, rayez-en préalablement la surface à arracher. Pour les papiers incrustés ou papiers vinyliques, cette pratique devient indispensable. Utilisez soit un outil prévu pour cet usage, soit le bord d'un couteau de peintre et éraflez la surface en croisillons de 15 cm. Comme pour tous travaux intérieurs, couvrez vos moquettes et meubles.



Opération

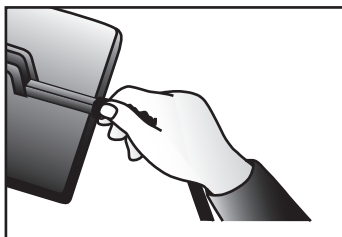
 **LA VAPEUR BRULE !** L'appareil a été conçu pour décoller rapidement et en toute sécurité les papiers peints mais rappelez-vous que la vapeur est produite à 100°C – soyez donc prudent, portez des vêtements protecteurs et des gants ou mitaines résistants à la chaleur.

Placer l'appareil sur une surface plane et de niveau à côté de l'endroit où le papier doit être décollé. Retirer la plaque à vapeur.

DÉROULER COMPLÈTEMENT le tuyau et le cordon d'alimentation secteur.

Visser l'extrémité du tuyau sur le raccord fileté de la plaque à vapeur. Il faut simplement le serrer à la main. **NE PAS TROP SERRER.**

Si la plaque à vapeur possède un raccord pivotant métallique, serrer l'écrou du tuyau au raccord fileté en utilisant deux clés de serrage. Ensuite, la plaque peut rester attachée au tuyau en permanence.

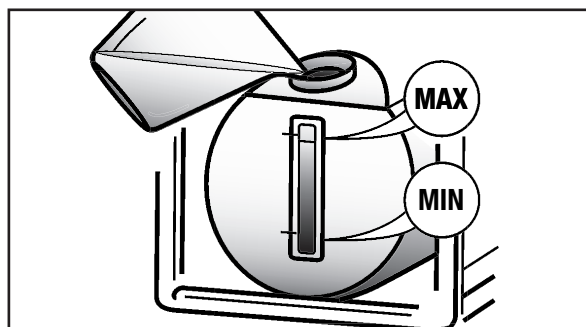


Pour remplir l'appareil, retirer le bouchon à soupape de pression et remplir jusqu'au niveau d'eau maximum indiqué sur le panneau de verre à l'extrémité du réservoir. Il faut utiliser de l'eau propre, si possible chaude. **NE PAS UTILISER**

D'ADDITIFS – NE PAS TROP REMPLIR.

Brancher le cordon d'alimentation de l'appareil à une prise électrique et mettre sous tension.

L'interrupteur de l'appareil possède un indicateur



lumineux qui s'illuminera lorsque l'appareil est sous tension. Selon la température de l'eau utilisée, il faudra de 10 à 20 minutes avant que l'appareil commence à produire de la vapeur.

NE PAS LAISSER SANS SURVEILLANCE.

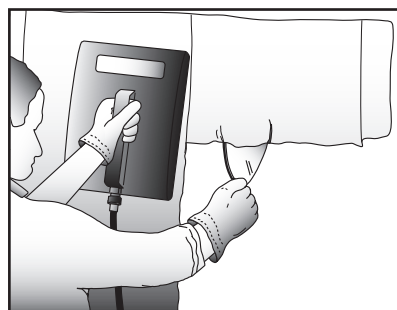
Lorsque de la vapeur est produite au niveau de la plaque à vapeur, vous êtes prêt à commencer. Avant que de la vapeur ne soit produite, quelques bulles apparaîtront au niveau de la plaque à vapeur.

AVERTISSEMENT ! Avant l'apparition de la vapeur, faire attention au déversement d'eau chaude. Lorsque la vapeur a été produite, soulever la plaque à vapeur au-dessus du niveau de l'orifice de sortie du réservoir pour permettre à la condensation de vapeur de retourner en arrière le long du tuyau jusque dans le réservoir.

Si vous êtes droitier, tenir la plaque à vapeur dans votre main gauche et la placer à plat contre le mur à l'endroit où vous voulez commencer à décoller.

Laisser la plaque contre le mur pendant environ 10 secondes. Si vous êtes gaucher, il vous sera peut-être plus facile d'utiliser l'autre main.

Déplacer la plaque à vapeur sur la partie adjacente à celle où vous travailliez, et utiliser une décapeuse pour retirer le papier peint de la partie qui vient d'être traitée à la vapeur.



En travaillant de cette façon, vous devriez pouvoir retirer le papier de façon continue. Avec certains papiers, il vous faudra peut-être laisser la plaque contre le mur plus longtemps, ou il vous faudra peut-être recommencer l'opération si tout le papier n'a pas pu être enlevé.

L'appareil peut être utilisé pendant approximativement 1hfi avant de nécessiter un remplissage. Le niveau d'eau est montré sur l'indicateur de niveau en verre, et ne doit pas descendre en dessous du niveau minimum. Mettre l'appareil hors tension lorsque ce niveau a été atteint.

Si vous devez à nouveau utiliser la décolleuse à vapeur, vous assurer que l'appareil est hors tension et qu'il n'y a plus d'ébullition. Attendre 5 minutes. Dévisser doucement le bouchon. Toute vapeur restante accumulée sortira de dessous le bouchon.

ATTENTION ! La vapeur est très chaude – utiliser un gant et éloigner votre visage. Comme précédemment, remplir jusqu'au niveau indiqué et suivre les instructions indiquées ci-dessus. **IL NE FAUT JAMAIS LAISSER BOUILLIR JUSQU'À L'ÉVAPORATION COMPLÈTE DE L'EAU.**

L'appareil possède un disjoncteur thermique. Si l'eau est complètement évaporée, le disjoncteur entre en action et empêche toute utilisation de l'appareil. Mettre l'appareil hors tension et le laisser refroidir pendant au moins 5 minutes, remplir d'eau et mettre à nouveau sous tension – le disjoncteur thermique devrait être réinitialisé automatiquement. S'il n'est pas réinitialisé, laisser refroidir un peu plus longtemps.

Lorsque vous avez fini d'utiliser l'appareil, laisser refroidir l'eau restante et vider ensuite l'appareil. Nous recommandons de rincer le réservoir avec de l'eau propre avant d'entreposer.

NE JAMAIS LAISSER D'EAU DANS L'APPAREIL LORSQU'IL EST ENTREPOSÉ.

Bouchon de remplissage/à soupape de pression

Mise en place – visser le bouchon sur le tube de remplissage et le serrer à la main.

Ne pas le serrer trop fort.

Retrait – vérifier que l'unité est débranchée et qu'elle n'est plus en ébullition.

Attendre 5 minutes.

Dévisser doucement le bouchon. Toute vapeur restante accumulée sortira de dessous le bouchon.



ATTENTION ! La vapeur est très chaude – mettre un gant et ne pas approcher le visage de trop près.

Remplir jusqu'au niveau MAXI comme précédemment et suivre les instructions ci-dessus.

Autres Applications

L'appareil peut aussi être utilisé pour:

- Soulever les carreaux de vinyle collés.
- Stériliser le sol.

- Tuer les mauvaises herbes.

Mesures de Dépannage

L'appareil ne produit pas de vapeur

- Le disjoncteur thermique a été déclenché. Mettre hors tension, laisser refroidir, remplir d'eau puis mettre à nouveau sous tension.
- Si vous utilisez une rallonge électrique – vérifier que le bouton de réinitialisation thermique de la rallonge n'a pas été déclenché. Vérifier que la rallonge est adéquate pour une puissance de 15 Ampères au minimum et qu'elle est complètement déroulée.

Si l'appareil ne fonctionne toujours pas, le renvoyer au revendeur ou à un agent autorisé pour faire vérifier le fusible thermique et la résistance électrique. **SEULS DES ÉLECTRICIENS QUALIFIÉS PEUVENT ENTREPRENDRE CE TRAVAIL.**

L'appareil disjoncte continuellement

- Vérifier que le niveau d'eau est au-dessus du minimum.
- Vérifier que la rallonge est adaptée pour une puissance de 15 Ampères au minimum, et qu'elle est complètement déroulée.
- Vérifier qu'aucun additif n'a été utilisé.

Vapeur s'échappant du bouchon pression

- Vérifier s'il n'y a pas de blocage au niveau du tuyau ou de la plaque à vapeur.
- Nettoyer la zone autour du bouchon.

Décalaminage

Nous recommandons de nettoyer le réservoir tous les trois mois avec des produits détartrants de marque, en suivant les instructions du fabricant.

ACCESSOIRES

Votre décolleuse professionnelle Earlex peut être utilisée avec toute une gamme d'accessoires ;

PETITE PLAQUE A VAPEUR SSP

Pour décoller de petites surfaces difficiles d'accès. Plaque de 15,2cm x 7,6cm.

INFORMATION LEGALE POUR LES UTILISATEURS :

Ce produit rentre dans la catégorie des appareils électriques. Nous vous rappelons qu'il est dorénavant interdit de se débarrasser d'un outil électrique dans vos poubelles, et encore moins dans la nature, car leurs équipements électriques sont toujours susceptibles de présenter des substances dangereuses, soit pour l'environnement, soit pour l'homme, soit pour les deux. Il existe maintenant des déchetteries partout avec des conteneurs appropriés, et c'est bien là, et pas ailleurs, qu'il faudra vous débarrasser de votre appareil, le jour ou voudrez le faire.



GARANTIE

Ce produit est garanti pour une période de 1 ans pour une utilisation ordinaire, et pour 6 mois an lorsqu'il est utilisé en location ou lorsque l'appareil est prêté à d'autres utilisateurs. Le réservoir est garanti pour 3 ans. La garantie couvre les défauts matériels ou de fabrication. Bien que toutes les précautions soient prises par les fabricants pour que notre appareil quitte l'usine en parfait état, Les fabricants décline toutes responsabilités concernant les problèmes et dommages dus à l'utilisation inappropriée.

La responsabilité incombe à l'utilisateur de s'assurer que les surfaces à traiter, nettoyer ou décaper conviennent au traitement par la vapeur.

Cette garantie n'affecte pas vos droits statutaires.

Si un problème survenait, veuillez contacter par téléphone notre service d'assistance ou votre point de vente, accompagné d'une copie du bon d'achat. Toutes les réparations seront effectuées dans les délais les plus brefs.

Attestation de Conformité EC

Nous déclarons que les produits LMB240 et LCS240 sont conformes aux:
LVD 2006/95/EC, EN60335-2-54, EN60335-1, EMF EN62233;
EMC 2004/108/EC, EN55014-1, EN61000-3-2, EN61000-3-3.

C. Kinge

Ingénieur en agrément de produit et contrôle de conformité

Wagner Spraytech (UK) Ltd, Guildford, Surrey, GU1 1SZ



- Houd de apparatuur buiten het bereik van kinderen en huisdieren.
- Het stoomapparaat niet verplaatsen door aan de slang of het snoer te trekken.
- Het stoomplateau steeds afgekeerd houden van uw gezicht en lichaam, oppassen voor hete druppels en verzamelde condensatie op de plaat geregeld verwijderen, vooral bij het afkrabben van plafonds en hoge vlakken.
- Niet onbewaakt laten staan. De slang of het stoomplateau nooit naar iemand richten.
- Ervoor zorgen dat er geen water of stoom in de lichtsakelaars of stopcontacten komt.
- Altijd rechtop houden bij het gebruiken en tijdens opslag.
- Kijk altijd voor ieder gebruik of de ingang van de slang en de stoomplaat niet verstopt zijn.
- Zorg ervoor dat het snoer en de slang niet onder spanning is, geknikt is of vastzit onder zware voorwerpen.
- Gebruik alleen de bijgeleverde 0.3bar hogedrukdop. Dit is tevens een veiligheidsventiel.
- **NOOIT DEZE UITGANG BLOKKEREN.**
- **NOOIT** de hogedrukdop verwijderen tijdens het koken – schakel uit en wacht 5 minuten.
- Voordat u op het frame gaat staan, dient u zich ervan te verzekeren dat alle schroeven vastgedraaid zijn en het frame onbeschadigd is.
- Schakel de elektriciteit altijd uit wanneer u de machine vult of wanneer het niet in gebruik is. Gebruik geen bijtende schoonmaakmiddelen voor de tank.
- Laat niet droogkoken.
- Vul het reservoir niet meer dan het aangegeven niveau. **GEBRUIK GEEN TOEVOEGINGEN.**
- Tijdens het gebruik nooit de vuldop verwijderen of de slang losmaken.
- Tijdens gebruik wordt de tank heet. Niet aanraken. Verplaats alleen in het draagframe.
- Voor stoom is een temperatuur van 100°C vereist. Wees dus voorzichtig, draag beschermende kleding en hittebestendige handschoenen of wanten.
- Wanneer u op de behangstoomstripper staat, blijf dan altijd binnen de aangegeven staplaats en overstrek u niet.
- **GEBRUIK DE BEHANGSTOOM-STRIPPER VOOR GEEN ENKEL ANDER DOELEINDE DAN VERMELD IN DEZE INSTRUCTIES.**
- Onder geen enkele voorwaarde moet u een poging ondernemen om een reparatie uit te voeren, tenzij u gekwalificeerd bent en toestemming hebt verkregen. Gebruik uitsluitend originele vervangingsonderdelen van Earlex.
- Gebruik alleen originele Earlex onderdelen.
- Gebruik een aardlekschakelaar om tegen elektrische schokken te beveiligen.
- Maximum gewicht voor staande op de Earlex SteamMaster[®] is 127kg en niet meer dan één persoon tegelijk.
- Dit apparaat kan worden gebruikt door personen van 14 jaar oud en boven.
- Als de netvoedingskabel is beschadigd, moet deze door de fabrikant, diens servicemedewerkers of soortgelijke gekwalificeerder personen worden vervangen om gevaar te voorkomen.

STEAMMASTER®

- Maximale draaggewicht voor het toestel is 127 kg. Er mag nooit meer dan één persoon op het toestel staan.
- ZORG DAT er nooit olie, vet of enig ander glad materiaal op de opstap verzameld.
- ZORG DAT er nooit voorwerpen op de opstap worden verzameld.
- Plaats nooit een ladder of ander hulpmiddel op de opstap om hoger gelegen lokaties te bereiken.
- Zorg ervoor dat de opstap niet aan (plotselinge) zware lasten wordt blootgesteld.

PRO-STEAM®

- NOOIT op het toestel staan of het toestel als een opstapje of platform gebruiken.



WAARSCHUWING

- De netvoedingskabel dient aan een geaard stopcontact aangesloten te worden.
- Versleten of beschadigde kabels vervangen. De netvoedingskabel nooit repareren.
- Als de aardpen wordt verwijderd, VERVALT de garantie.

Verlengsnoer

Als een verlengsnoer wordt gebruikt, dient deze een nominale stroomsterkte hebben van minimaal 15 Ampère. Bovendien dient het verlengsnoer volledig afgewikkeld zijn. Gebruik nooit een verlengsnoer met een lagere nominale stroomsterkte dan 15 Ampère, omdat het apparaat anders voortijdig defect raakt. Dit defect valt niet onder de garantie.

Technische gegevens

Spanning	220-240V
Wattage	2400W
Frequentie	50-60Hz
Tankvulling (max.)	7,5 liter

Belangrijkste kenmerken

De stoomapparaten van Earlex® zijn professionele, snelwerkende behangstoomstrippers. De apparaten hebben vele extra functies:

- Elke tank wordt individueel op druk gecontroleerd.
- Houders voor slang en netvoedingskabel.
- Neon-netschakelaar.
- Een stoomslang die tijdens de werking koel blijft.

OPGELET!

De conditie van het stucwerk controleren voordat u begint te werken.

Stoom kan zwak, poreus of slecht gebonden stucwerk losmaken. Het komt ook gemakkelijk los als het gebarsten is, gaten vertoont of wanneer het stoomplateau te lang op één plaats wordt gehouden nadat het behang is gedrenkt.

Zwak stucwerk ontdekt men gewoonlijk door de muur op een paar plekken te bekloppen. Een hol geluid betekent dat u uiterst voorzichtig te werk dient te gaan en meteen moet stoppen zodra u een krakend geluid hoort of wanneer het stucwerk begint af te brokkelen.

Het stoomapparaat kan veilig gebruikt worden op stapelmuren en gipsplaat, maar ongeacht het materiaal is het raadzaam om een klein stuk te proberen alvorens met het eigenlijke werk te beginnen.

Bescherm uw huis!

De warmte die door de stoomketel wordt geproduceerd kan plekken op tapijten, stofferingen, tafelbladen, kasten, enz. veroorzaken.

Stoflakens of kranten zijn geen geschikte warmtebeveiligers voor delicate oppervlakken.

SYMBOLLEN

OPPASSEN



STOOM



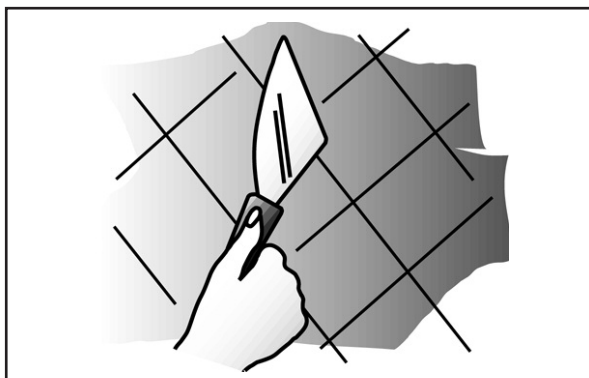
STOOM IS HEET!

Waarschuwing: hete vloeistoffen of stoom kunnen brandwonden veroorzaken. Verbrandingsgevaar. Stoom kan ook condenseren tot kokende druppeltjes. Richt de stoom nooit op elektrische apparatuur. Het symbool voor verbrandingsgevaar is op de dop aangebracht.

Nota: Voorafgaand aan het gebruik wordt er zekere weerstand in de slang die meegaander / flexibel met voortgezet gebruik zal worden te zijn.

Vorbereiding

De snelste manier om behang te verwijderen is het aangegeven oppervlak voorzichtig met een mes te kerven. Voor zwaar gedessineerd, van een laag vinyl voorzien of geschilderd behang is dit noodzakelijk. U kunt hiervoor een in de handel verkrijgbare perforator gebruiken of u kunt de rand van een afkrabber gebruiken en er kruislings banen van 15 cm tussenwijdte in kerven.



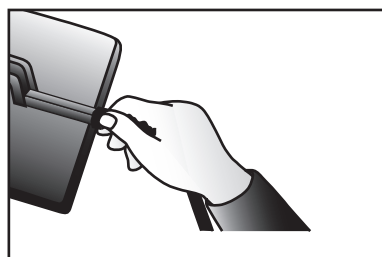
Bediening

 **STOOM IS HEET!** Het apparaat is ontworpen voor een veilige en vlugge verwijdering van behang maar u moet er wel aan denken dat de geproduceerde stoom 100°C is en bijgevolg voorzichtigheid in acht nemen en beschermende kleding en hittebestendige handschoenen of wanten dragen.

Plaats het toestel op een vlakke en egale ondergrond dichtbij het te strippen gebied. Verwijder de stoomplaat.

ROL de slang en het elektrische snoer VOLLEDIG UIT.

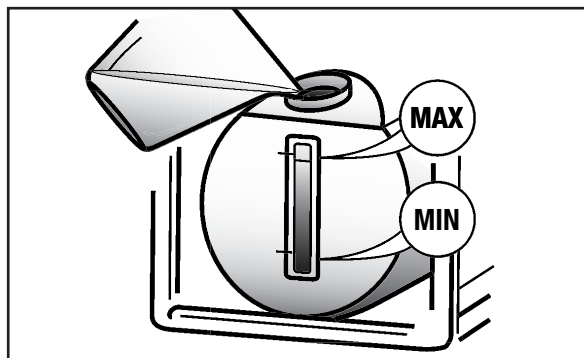
Verbind de schroefdraad op de stoomplaat met het uiteinde van de slang. Dit dient met de hand vastgemaakt worden. **MAAK HET NIET TE VAST.**



Als de stoomplaat met een metalen wartel is bevestigd, maak dan de schroef van de slang aan het schroefdraad vast met behulp van twee moersleutels. De plaat kan daarna permanent

bevestigd blijven aan de slang.

Om het toestel te vullen, verwijder de hogedrukdop en vul tot het maximale waterniveau zoals aangegeven op het glazen paneel aan het einde van de tank. Dit moet schoon water zijn, bij voorkeur heet. **GEBRUIK**



GEEN TOEVOEGINGEN – NIET OVERVULLEN.

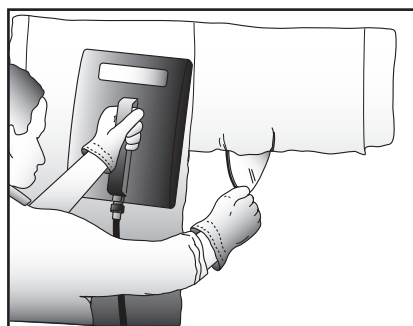
Steek de stekker van het toestel in het stopcontact en zet het toestel vervolgens aan. De hoofdschakelaar op het toestel heeft een neonlampje dat zal aangaan wanneer het toestel aan is. Het duurt tussen de 10 en 20 minuten voordat het toestel begint met het produceren van stoom, afhankelijk van de temperatuur van het water bij het vullen.

LAAT HET NIET ZONDER TOEZICHT.

Zodra er stoom op de stoomplaat verschijnt, is het klaar voor gebruik.

Net voordat er stoom op de stoomplaat verschijnt, zijn er enkele luchtbelletjes op de stoomplaat waar te nemen.

WAARSCHUWING! Let er op dat er uitstoot van heet water is voordat er stoomontwikkeling plaatsvindt. Wanneer er stoom geproduceerd wordt, til dan de stoomplaat boven het niveau van de tankuitgang, zodat gecondenseerde stoom terug kan lopen via de slang naar de tank. Wanneer u rechtshandig bent, hou de stoomplaat dan in uw linkerhand plat tegen de muur waar u wilt beginnen met verwijderen. Hou de plaat ongeveer 10 seconden tegen de muur. Wanneer u linkshandig bent, vindt u het



waarschijnlijk gemakkelijker om met uw andere hand te werken.

Beweeg de stoomplaat naar de plaats onmiddellijk naast de plaats waarop u zojuist gewerkt hebt en gebruik een behangschrapper om het net gestoomde gedeelte te verwijderen. Met deze werkwijze kunt u continue behang blijven verwijderen. Bij bepaalde soorten behang dient u de stoomplaat langer tegen de muur te houden of dient het proces herhaald te worden indien het behang nog niet volledig verwijderd is.

Het toestel kan ongeveer 1 uur gebruikt worden voordat het opnieuw gevuld dient te worden. Het waterniveau is af te lezen door de glazen niveaumeter en mag niet onder het minimum komen. Schakel het toestel uit wanneer dit niveau is bereikt.

Voor verder gebruik van de behangstoomstripper dient u zich ervan te verzekeren dat het toestel is uitgeschakeld en dat het water niet meer kookt. Wacht 5 minuten. Draai de dop voorzichtig los. Eventueel achtergebleven stoom ontsnapt van onder de hogedrukdop. **VOORZICHTIG – HETE STOOM!** Hervul tot het aangegeven niveau zoals reeds eerder gedaan en volg de bovenstaande instructies.

LAAT HET TOESTEL NOOIT DROOGKOKEN. Er is een thermische beveiligingsmechanisme in het toestel bevestigd. In geval van droogkoken van het toestel, zal het mechanisme in werking treden en verder gebruik voorkomen. Schakel het toestel uit en laat het tenminste 5 minuten afkoelen, hervul het met water en schakel het weer aan – het thermische beveiligingsmechanisme zal dan automatisch opnieuw afstellen. Als het niet afgesteld is, laat het toestel dan langer afkoelen.

Wanneer u klaar bent met het gebruiken van het toestel, dient u overgebleven water te laten afkoelen voordat u het toestel leegt. Wij raden aan om het toestel met schoon water te reinigen voordat u het opbergt.

LAAT NOOIT WATER IN HET TOESTEL TIJDENS OPSLAG.

Hogedrukdop/Vuldop

Aanbrengen – op de vulhals met de hand vastdraaien.

Niet te strak aandraaien.

Verwijderen – zorg dat het apparaat uitgeschakeld is, en het water van de kook is.

Wacht 5 minuten.

Draai de dop voorzichtig los. Eventueel achtergebleven stoom ontsnapt van onder de dop.



WAARSCHUWING! Stoom is bijzonder heet. Gebruik handschoenen en houd uw gezicht vrij.

Zoals eerder, tot de niveauaanwijzer aanvullen en bovenstaande aanwijzingen volgen.

Andere Toepassingen

Het toestel kan ook gebruikt worden om:

- Artex® te verwijderen.
- Vinyl tegels los te maken.
- Grond te steriliseren.
- Onkruid uit de tuin te doden.

ACCESSOIRES

Voor gebruik bij uw Earlex Professional Steamer is en reeks van accessoires beschikbaar:

SSP KLEINE STOOMPLAAT

Voor het strippen van kleine, moeilijke locaties. Plaatformaat 15,2cm x 7,6cm.

Storingsdiagnose

Apparaat levert geen kokend water.

- Het thermische beveiligingsmechanisme heeft gewerkt. Schakel het toestel uit, laat het afkoelen, hervul het met water en schakel het weer aan.
- Indien u een verlengsnoer gebruikt – verzekert u zich er dan van dat de re-set knop van het verlengsnoer niet uitgeschakeld is. Verzekert u er zich ook van dat de toelaatbaarheid van het verlengsnoer minimum 15 Ampère bedraagt.

Indien het toestel nog steeds niet werkt, breng het dan terug naar de verkoper of geautoriseerde agent om de zekering en element van het warmte mechanisme na te kijken. **ALLEEN GEKWALIFICEERDE ELECTRICIENS MOGEN DIT WERK VERRICHTEN.**

Het toestel blijft zich uit schakelen

- Kijk of het water boven het minimum waterniveau is.
- Kijk na of het verlengsnoer een minimum toelaatbaarheid heeft van 15 Ampère en volledig is afgewikkeld.
- Verzekert u zich ervan dat er geen toevoegingen zijn gebruikt.

Stoom ontsnapt van de hogedrukdop

- Kijk of er verstoppingen zijn in de slang of de stoomplaat.
- Schone ruimte rondom de dop.

Ontkalken

Wij raden aan om de tank om de drie maanden te reinigen met een gepatenteerd ontkalkingsprodukt, volgens de instructies van de fabrikant.

INFORMATIE OVER DE VERWIJDERING VAN AFVAL VAN ELEKTRISCHE EN ELEKTRONISCHE APPARATEN (AEEA):

Wij willen graag de aandacht vestigen op nieuwe richtlijnen van toepassing op het verwijderen van dit elektrisch apparaat. Volgens deze wetgeving mag dit product niet langer samen met het huishoudelijk afval verwijderd worden. Het is nu uw verantwoordelijkheid om dit soort afval te overhandigen aan een speciaal hiervoor aangewezen verzamelpunt voor verwerking en recycling. Dit product is gemarkeerd met een symbool van een doorkruiste verrijdbare afvalbak om u aan deze actie te herinneren. Het doel van deze richtlijn is het conserveren van natuurlijke rijkdommen en om ervoor te zorgen dat het product op zodanige wijze wordt gerecycled dat de gezondheid van de mens en het milieu wordt beschermd. Neemt u voor meer informatie over de verzamelpunten alstublieft contact op met de plaatselijke instanties, deze diensten worden gratis verleend.



GARANTIE

Dit product heeft een garantieperiode van 1 jaar voor normaal gebruik en 6 maanden voor huurdoeleinden of wanneer het toestel aan andere gebruikers wordt uitgeleend. De tank heeft een garantie van 3 jaar. De garantie is tegen gebrekkige materialen of werkmanschap. Dit product is gegarandeerd voor een periode van 6 maanden tegen defecte materialen en vakmanschap.

Ofschoon de fabrikanten al het mogelijke heeft gedaan om te verzekeren dat onze producten goed werken bij het verlaten van de fabriek, kan Earlex niet aansprakelijk worden gesteld voor problemen of beschadiging voortvloeiend uit het gebruik ervan.

Deze garantie heeft geen effect op uw wettelijke rechten.

In het geval zich een gebrek voordoet, neemt u dan contact op met onze hulplijn voordat u het toestel terugbrengt naar onze Klantenservice op het onderstaande adres, samen met uw betaalbewijs. Alle reparaties worden snel afgehandeld.

EC Verklaring van Conformiteit

Wij verklaren dat de types LMB240 en LCS240 voldoen aan:
LVD 2006/95/EC, EN60335-2-54, EN60335-1, EMF EN62233;
EMC 2004/108/EC, EN55014-1, EN61000-3-2, EN61000-3-3.



C. King
Productgoedkeuringen & Compliance Engineer

Wagner Spraytech (UK) Ltd, Guildford, Surrey, GU1 1SZ



- Bewahren Sie die Ausrüstung vor dem Zugriff von Kindern und Haustieren auf.
- Bewegen Sie den Kessel nicht, indem Sie entweder am Schlauch oder an dem Elektrokabel ziehen.
- Halten Sie Dampfplatte immer von Ihrem Gesicht und Körper weg, achten Sie auf heiße Tropfen und regelmäßiger Kondensation von der Platte – insbesondere wenn Sie Decken und höher gelegene Stellen bearbeiten.
- Lassen Sie das Gerät nie unbewacht stehen.
- Richten Sie niemals den Schlauch oder die Dampfplatte auf eine Person.
- Achten Sie darauf, dass kein Wasser oder Dampf in Lichtschalter oder Steckdosen gerät.
- Gerät stets aufrecht verwenden und lagern. Nach dem Gebrauch das Gerät immer entleeren.
- Stellen Sie vor der Verwendung stets sicher, dass der Schlauch und die Dampfplattenöffnung nicht blockiert sind.
- Das Kabel und den Schlauch vor dem Gebrauch vollständig abwickeln.
- Den Schlauch nicht zerren, knicken oder unter schweren Gegenständen einklemmen.
- Verwenden Sie nur die mitgelieferte 0,3bar Druckkappe. Sie dient auch als Sicherheitsventil.
- DIESE ÖFFNUNG NIEMALS BLOCKIEREN.
- Entfernen Sie NIEMALS die Druckkappe, wenn das Gerät kocht – schalten Sie das Gerät aus, und warten Sie 5 Minuten.
- Stellen Sie, bevor Sie auf das Gestell steigen, sicher, dass alle Schrauben fest angezogen sind und das Gestell nicht beschädigt ist.
- Ziehen Sie stets den Netzstecker heraus, bevor Sie die Einheit auffüllen bzw. wenn das Gerät nicht verwendet wird.
- Verwenden Sie keine ätzenden Reinigungsmittel für den Tank.
- Lassen Sie das Gerät nicht trockenkochen.
- Den Behälter nicht überfüllen.
- KEINE ZUSÄTZE VERWENDEN.
- Entfernen Sie niemals den Füllstutzen oder den Schlauch, wenn das Gerät in Betrieb ist.
- Der Tank heizt sich bei der Verwendung auf. Nicht berühren. Um den Tank zu bewegen, halten Sie ihn am Tragegestell fest.
- Es kommt zur Dampfbildung von 100°C. Seien Sie vorsichtig und tragen Sie Schutzkleidung und schützen Sie Ihre Hände mit Hitze abweisenden Handschuhen.
- Stehen Sie stets mit beiden Füßen auf dem Gestell, und arbeiten Sie nicht über Ihre normale Reichweite hinaus.
- VERWENDEN SIE DIESEN TAPETENABLÖSER NUR ZU DEN IN DIESEN ANWEISUNGEN ANGEGEBENEN ZWECKEN.
- Nehmen Sie auf keinen Fall selbst Reparaturen an der Einheit vor, es sei denn, Sie verfügen über die entsprechende Qualifikation und sind dazu autorisiert. Verwenden Sie nur Original-Ersatzteile von Earlex.
- Der arbeitsplatzbezogene Emissionswert des Gerätes überschreitet nicht 70 dB (A).
- Benutzen Sie eine Fehlerstrom-Schutzeinrichtung (30mA) zum Schutz vor elektrischen Schlägen.
- Dieses Gerät kann von Personen im Alter von 14 Jahren und höher verwendet werden.
- Wenn das Netzkabel beschädigt ist, muss es durch den Hersteller, seine Kundendienstbeauftragten oder ähnlich qualifizierte Personen ersetzt werden, um Gefährdungen zu vermeiden.

STEAMMASTER®

- Das Höchstgewicht, das von dem Gestell getragen werden kann, liegt bei 127 kg und maximal einer Person.
- Auf der Stufe darf sich kein Öl, Fett oder rutschiges Material ansammeln.
- Es dürfen keine Gegenstände auf der Stufe liegen.
- Stellen Sie keine Leiter oder andere Vorrichtungen auf die Stufe, um eine größere Höhe zu erreichen.
- Die Stufe darf nicht mit Stoßlasten beansprucht werden.

PRO-STEAM®

- Stellen Sie sich NIEMALS auf das Gerät oder benutzen es als Plattform.



WARNUNG

- Das Netzkabel muss an eine geerdete Steckdose angeschlossen werden.
- Abgenutzte oder beschädigte Kabel ersetzen. Netzkabel nie reparieren.
- Wird der Erdungsstift entfernt, VERFÄLLT die Garantie.

Verlängerungskabel

Wenn Sie ein Verlängerungskabel verwenden, muss dieses eine Bemessungsstromstärke von mindestens 15 A haben und vollständig abgewickelt sein. Benutzen Sie kein Kabel mit weniger als 15 A Nennstrom, da das Gerät sonst vorzeitig ausfällt, was nicht von der Garantie abgedeckt ist.



VORSICHT!

Überprüfen Sie den Zustand der Wandvergipsung bevor Sie mit der Arbeit beginnen.

Der Dampf kann schwachen, porösen oder schlecht haltenden Gips lösen, der sich auch schnell lösen kann, wenn er Risse und Löcher hat, oder wenn die Dampfplatte zu lange in einer Position gehalten wird, nachdem die Tapete aufgeweicht wurde. Sie können schwache Gipsstellen normalerweise durch Abklopfen einiger Wandstellen entdecken. Ein hohles Geräusch sagt Ihnen, dass Sie diese Stelle mit Vorsicht bearbeiten sollten – unterbrechen Sie Ihre Arbeit sofort, sobald Sie ein krachendes Geräusch hören oder der Gips sich lösen sollte.

Der Dampf löser ist für trockene Wände und Gipsplatten geeignet, was immer das Material ist, es ist immer ratsam einen kleinen Bereich anzutesten bevor Sie mit der Arbeit an der gesamten Fläche beginnen.

Technische Daten

Spannung	220-240V
Wattleistung	2400W
Frequenz	50-60Hz
Tankfüllmenge (max.)	7,5 l

Hauptmerkmale

Die Dampfgeräte von Earlex® sind professionelle, schnell arbeitende Dampf-Tapetenablöser. Sie bieten viele zusätzliche Merkmale:

- Jeder Tank ist einzeln druckgeprüft.
- Halterungen für den Schlauch und das Netzkabel.
- Neon-Netzschalter.
- Ein im Betrieb kühler bleibender Dampfschlauch.

Schützen Sie Ihr Haus!

Die Hitze des Kessels kann Ihren Teppich(boden), Möbel, Tischoberflächen und Schränke usw. markieren. Staubabdeckungen oder Zeitungen sind kein passender Hitzeschutz für empfindliche Oberflächen.

SYMBOLE

VORSICHT



DAMPF



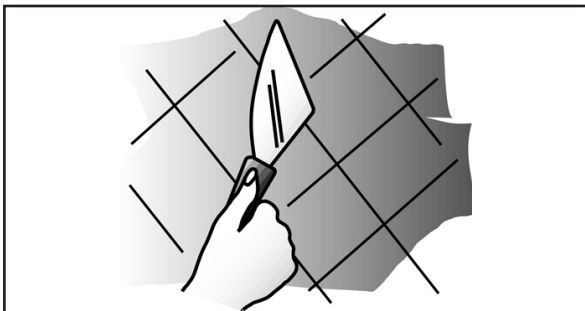
DAMPF IST HEISS!

Warnung: Heiße Flüssigkeiten oder Dampf stellen eine Verbrennungsgefahr dar. Bei der Kondensierung von Dampf können kochende Wassertropfen entstehen. Dampf darf nicht auf elektrische Geräte gerichtet werden. Auf die Verbrennungsgefahr wird mit diesem Symbol auf der Verschlusskappe hingewiesen.

Note: Vor Gebrauch wird es gewissen Widerstand im Schlauch geben, der mehr biegsam / flexibel wird mit ununterbrochenem Gebrauch.

Vorbereitung

Zur schnelleren Tapetenentfernung ritzen Sie den zu entfernenden Bereich leicht an. Dies ist besonders für Profil-, und Kunststoff beschichtete oder angestrichene Tapete notwendig. Benutzen Sie entweder einen Perforierer oder ein anderes geeignetes Werkzeug zum Anritzen der Tapete und ritzen Sie ein überkreuzendes Muster von ca. 150 mm.



Wie bei allen Renovierungsarbeiten schützen Sie Ihren Teppich und Ihr Mobiliar mittels Abdeckungen.

Betrieb



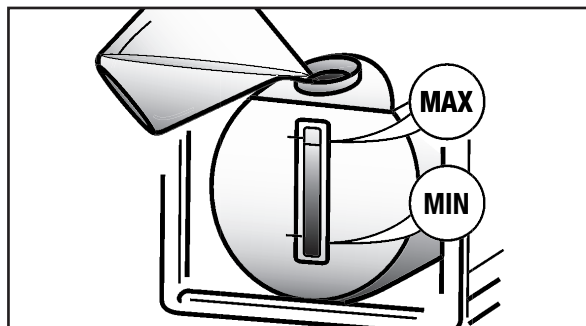
DAMPF IS HEISS! Das Gerät ist zur sicheren und schnellen Lösung von Tapeten ausgelegt, jedoch achten Sie darauf, dass der Dampf eine Temperatur von 100°C erreicht, tragen Sie Schutzkleidung und hitzebeständige Handschuhe. Stellen Sie die Einheit auf einen flachen, ebenen Untergrund neben dem Wandabschnitt, von dem die Tapete gelöst werden soll. Nehmen Sie die Dampfplatte von der Einheit ab. Wickeln Sie den Schlauch und das Netzkabel **VOLLSTÄNDIG** ab. Schließen Sie das Ende des Schlauchs an das Gewinde der Dampfplatte an. Schrauben Sie es nur handfest an – **NICHT ZU FEST ANZIEHEN.**



Ist die Dampfplatte mit einem Metalldrehgelenk befestigt, ziehen Sie die Schlauchanschlußmutter mit Hilfe von zwei Schraubenschlüsseln an. Die Platte kann anschließend permanent am Schlauch angeschlossen bleiben. Entfernen Sie zum Auffüllen der Einheit die Druckkappe, und füllen den Tank bis zum maximalen Wasserstand (siehe Wasserstandsanzeige am Ende des Tanks). Achten Sie darauf, dass das Wasser sauber ist, und verwenden Sie nach Möglichkeit **KEINE ZUSATZSTOFFE – TANK NICHT**

ÜBERFÜLLEN.

Stecken Sie den Netzstecker der Einheit in die Steckdose, und schalten Sie das Gerät ein. Der Betriebsschalter an der Einheit ist mit einer Anzeigenleuchte ausgestattet, die während des Betriebs aufleuchtet. Je nach Temperatur des



eingefüllten Wassers kann es 10 bis 20 Minuten dauern, bis die Einheit mit der Dampferzeugung beginnt.

LASSEN SIE DIE EINHEIT NICHT UNBEAUF SICHTIGT.

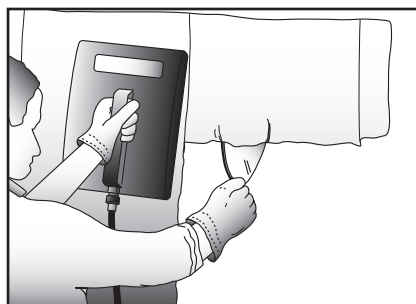
Die Einheit ist betriebsbereit, sobald an der Dampfplatte Dampf erzeugt wird.

Vor der Dampferzeugung treten an der Dampfplatte einige Bläschen auf.

WARNUNG! Es kann vor der Dampfabgabe zu heißem Wasseraustritt kommen. Halten Sie die Dampfplatte während der Dampferzeugung höher als die Tanköffnung, so dass kondensierter Dampf den Schlauch hinunter in den Tank zurückfließen kann.

Wenn Sie Rechtshänder sind, halten Sie die Dampfplatte mit Ihrer linken Hand, und legen Sie die Platte flach auf die Wandstelle auf, an der Sie mit dem Ablösen der Tapete beginnen möchten.

Drücken Sie die Dampfplatte ca. 10 Sekunden lang gegen die Wand. Sind Sie Linkshänder,



werden Sie es wahrscheinlich einfacher finden, mit der rechten Hand zu arbeiten.

Plazieren Sie jetzt die Dampfplatte genau neben dem Bereich, den Sie gerade mit Dampf bearbeitet haben, und schaben Sie die Tapete mit Hilfe eines Tapetenentferners von diesem Bereich ab. Auf diese Weise können Sie die gesamte Tapete Stück für Stück entfernen. Bei einigen Tapeten kann es sein, dass sie etwas länger bzw. mehrmals mit der Dampfplatte bearbeitet werden müssen, falls sie sich nicht beim ersten Mal vollständig entfernen lassen.

Die Betriebsdauer der Einheit beträgt ca. 1fi Stunden, bevor sie wieder aufgefüllt werden muß. Der Wasserstand wird am Anzeigenrohr angezeigt und sollte nicht unter den minimalen Stand sinken. Schalten Sie die Einheit aus, wenn dieser Stand erreicht ist.

Wenn Sie den Dampf-Tapetenablöser weiter verwenden möchten, stellen Sie sicher, dass die Einheit ausgeschaltet ist und das Wasser nicht mehr kocht. Warten Sie 5 Minuten. Schrauben Sie Druckkappe langsam los. Dabei entweicht eingeschlossener Dampf unterhalb des Deckels.

ACHTUNG! – DER DAMPF IST SEHR HEISS – tragen Sie Handschuhe, und halten Sie Ihr Gesicht in sicherer Entfernung. Füllen Sie das Wasser wie zuvor bis zum angegebenen Wasserstand auf, und folgen Sie den obigen Anweisungen. LASSEN SIE DIE EINHEIT NIEMALS TROCKENKOCHEN.

Die Einheit ist mit einer thermalen Abschaltautomatik versehen. Sinkt der Wasserstand weit unter den minimalen Level, schaltet sich die Einheit aus, um eine weitere Verwendung zu verhindern. Schalten Sie die Einheit aus, und lassen Sie sie mindestens 5 Minuten lang abkühlen. Füllen Sie den Tank anschließend wieder mit Wasser auf, und schalten Sie die Einheit erneut ein. Die thermale Abschaltautomatik sollte sich automatisch wieder auf Normalbetrieb einstellen. Ist dies nicht der Fall, lassen Sie die Einheit noch etwas länger abkühlen.

Wenn Sie die Arbeit mit dem gerät beenden möchten, lassen Sie das verbliebene Wasser abkühlen, bevor Sie den Tank ausleeren. Wir empfehlen, den Tank vor der Lagerung mit sauberem Wasser auszuspülen.

LASSEN SIE BEI DER LAGERUNG NIEMALS WASSER IM TANK.

Druck-/Einfüllkappe

Anbringen – Schrauben Sie die Kappe auf den Einfüllstutzen und ziehen Sie sie nur handfest an. Nicht zu fest anziehen.

Abnehmen – Stellen Sie sicher, dass die Einheit ausgeschaltet ist und nicht mehr kocht.

Warten Sie 5 Minuten.

Schrauben Sie die Kappe langsam los. Dabei entweicht eingeschlossener Dampf unterhalb der Kappe.



**VORSICHT! Der Dampf ist sehr heiß.
Tragen Sie Handschuhe und halten Sie
das Gesicht nicht in den Dampf.**

Wie zuvor bis zum Füllstandsanzeiger auffüllen und die obigen Anweisungen beachten.

ZUBEHÖR

Für den Earlex Professional Steamer sind eine Reihe von Zubehörteilen erhältlich:

SSP KLEINE DAMPFPLATTE

Zum Ablösen in kleinen, schwer zugänglichen Bereichen. Größe der Platte: 15,2 cm x 7,6 cm.

Andere Dämpfungsanwendungen

Die Einheit kann außerdem zu folgenden Zwecken verwendet werden:

- Entfernen von Artex®.
- Lösen von Vinylfliesen.
- Sterilisieren von Erdreich.
- Unkrautvertilgung.

Fehlersuche

Das Wasser wird nicht aufgeheizt

- Thermale Abschaltautomatik wurde aktiviert. Schalten Sie die Einheit aus, lassen Sie sie abkühlen, und füllen Sie den Tank mit Wasser auf, bevor Sie die Einheit wieder einschalten.
- Wenn Sie ein Verlängerungskabel verwenden: Stellen Sie sicher, dass der Sicherungsdruckknopf am Verlängerungskabel nicht herausgesprungen ist und dass das Verlängerungskabel für eine Stromstärke von mindestens 15 A geeignet und vollständig abgewickelt ist.

Sollte die Einheit immer noch nicht funktionieren, bringen Sie sie zu Ihrem Fachhändler bzw. autorisierten Vertreter, damit dieser die Sicherung und das Heizelement überprüfen kann. **DIES SOLLTE NUR VON EINEM QUALIFIZIERTEN ELEKTROINSTALLATEUR VORGENOMMEN WERDEN.**

Gerät schaltet sich immer wieder aus

- Stellen Sie sicher, dass der Wasserstand über dem minimalen Level liegt.
- Prüfen Sie, ob das Verlängerungskabel für eine Stromstärke von mindestens 15 A geeignet und vollständig abgewickelt ist.
- Stellen Sie sicher, dass keine Zusatzstoffe verwendet wurden.

Dampfaustritt an der Druckkappe

- Überprüfen Sie den Schlauch und die Dampfplatte auf Blockierungen.
- Reinigen Sie die Auflagefläche um die Kappe herum.

Wir empfehlen, den Tank alle drei Monate entsprechend den Anweisungen des Herstellers mit Markenentkalkungsmitteln zu reinigen.

INFORMATIONEN RESPEKTIVE DER ABFALLENTSORGUNG GEMÄSS DEN WEEE-VORSCHRIFTEN:

Wir möchten Sie auf die neuen Bestimmungen der Entsorgung von elektrischen Geräten und derer Komponenten aufmerksam machen, welche nach den neuen gesetzl. Bestimmungen nunmehr nicht über den üblichen Haushaltsmüll entsorgt werden darf. Es obliegt nunmehr Ihrer Verantwortung den besagten Elektro-sondermüll im Falle einer notwendigen Entsorgung zu den dafür vorgeschriebenen und bekannten Sammelstellen bzw. Entsorgungszentren zu bringen. Zu diesem Zweck und als Erinnerung ist dieses Produkt mit einem WEEE-Symbol markiert. Das Ziel dieser gesetzl. Bestimmungen ist der Erhalt der natürlichen Ressourcen und die Sicherstellung eines Recyclingsystems zum Schutze der menschlichen Gesundheit und der Umwelt. Für weitere Informationen wie Sie ihren Sondermüll fachgerecht entsorgen können, wenden Sie sich bitte an Ihre örtlichen Stellen und Ämter, die Entsorgung ist in jedem Falle kostenlos.



GARANTIE

Auf diese Einheit erhalten Sie bei normaler Verwendung 1 Jahr Garantie. Auf den Tank ist eine Garantie von 3 Jahren. Wird die Einheit vermietet bzw. an andere Benutzer verliehen, beträgt die Garantie 6 Monate. Die Garantie auf den Tank beträgt 3 Jahre. Diese Garantie deckt Material- und Bearbeitungsfehler ab.

Der Hersteller hat Sorgfalt getragen, dass dieses Produkt in guter Funktionsfähigkeit das Werk verlassen hat. Earlex übernimmt keine Verantwortung für Probleme oder Schäden, die aufgrund seines späteren Gebrauchs aufgetreten sind.

Es obliegt der Verantwortung des Anwenders, dass die zu behandelnden Oberflächen, die gesäubert oder gelöst werden sollen für die Bearbeitung mit Dampf geeignet sind.

Diese Garantie hat keinen Einfluß auf Ihr Gesetzesrecht.

Im Falle einer Störung wenden Sie sich bitte an unsere Helpline, bevor Sie die Einheit zusammen mit der Quittung an unseren Kundendienst an die unten angegebene Adresse einsenden. Alle Reparaturen werden umgehend durchgeführt.

EG Konformitätserklärung

Wir erklären, dass die Einheiten LMB240 und LCS240 entsprechen:
LVD 2006/95/EG, EN60335-2-54, EN60335-1, EMF EN62233;
EMC 2004/108/EG, EN55014-1, EN61000-3-2, EN61000-3-3.



C. Kinge

Verantwortlicher für Produktzulassung und Compliance

Wagner Spraytech (UK) Ltd, Guildford, Surrey, GU1 1SZ



Wagner Spraytech (UK) Limited
Opus Park, Moorfield Road, Guildford, Surrey, GU1 1SZ, UK.
Tel: +44 (0) 1483 454666 Fax: +44 (0) 1483 454548
www.earlex.com enquiries@earlex.co.uk