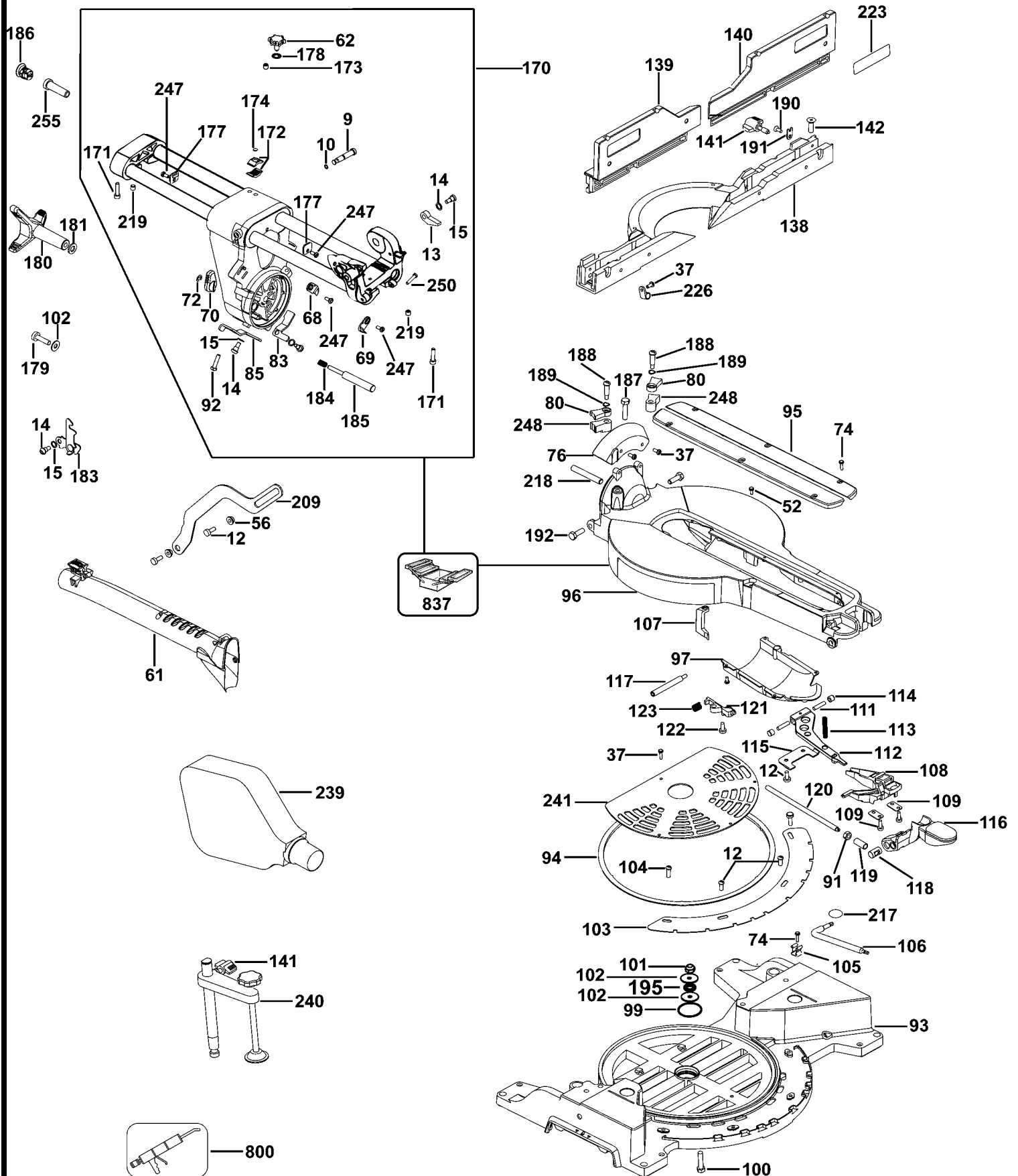


# DWS780 Table MITRE SAW 10





## Parts List for DWS780 MITRE SAW 10

Item	Part Number	Qty	Part Description	General Description	Other Info	Repair Inst	Markets
1	N121002	1	ARM	Inc 203 x 2, 200		No	GB
1	N121002	1	ARM	Inc 203 x 2, 200		No	LX
2	618193-00	1	BELT COVER			No	
3	330045-14	5	SCREW	M5 x 16mm - T25		No	
4	146751-00	1	SHAFT			No	
5	146732-00	2	SPACER			No	
6	N039404	1	SPRING			No	
7	150075-00	2	SCREW	M6 x 10		Yes	
8	148296-00	2	WASHER			No	
9	387130-00	1	LOCKING PIN			No	
10	34158-00	1	SEAL			No	
11	N058304	1	GUARD REAR			No	
12	330045-23	7	SCREW.SPECIAL	M6X16 T30		Yes	
13	153603-01	1	PAWL			No	
14	153639-00	1	SCREW			No	
15	153655-00	1	WASHER			No	
16	618197-00	1	SCREW			No	
17	150718-00	1	NUT WING			Yes	
18	N030317	1	LED LIGHT			No	GB
18	N030317	1	LED LIGHT			No	LX
19	385915-01	4	SCREW	T20		No	
20	618198-00	1	SCREW	T40		Yes	
23	647776-00	1	BLADE BOLT	M8 X 20 LH T40		Yes	
24	604765-00	1	CLAMP OUTER			No	
26	N081035	1	WASHER INNER CLAMP			No	
28	393702-00SV	1	SPINDLE & GEAR			No	
29	330003-66	1	BEARING,BALL			No	
30	391616-00	1	BEARING NEEDLE			No	
31	393703-00	1	GEAR SA			No	
32	605040-59	1	BEARING	6001 (12 x 28 x 8)		No	
33	605040-33	1	BEARING			Yes	
35	860079-03	1	CIRCLIP	d12		No	
36	618244-00	1	RETAINING PLATE			No	

## Parts List for DWS780 MITRE SAW 10

Item	Part Number	Qty	Part Description	General Description	Other Info	Repair Inst	Markets
37	330045-49	4	SCREW	T25 M5 x 12		No	
38	391310-00	1	BEARING PLATE			No	
40	N105443	1	PULLEY SA	inc 33,35		No	
44	393935-01	1	GEARCASE COVER	inc 30		No	
45	391315-00	1	GASKET			No	
47	623804-00	1	BELT			No	
48	N101475	1	REPAIR KIT	Inc 48.148		Yes	
49	153561-00	1	LOCKING PIN			No	
50	448176-00	1	SPRING			No	
51	393071-00	1	PLATE			No	
52	330045-45	4	SCREW			No	
53	153559-00	1	WASHER			No	
56	146740-00	2	SLEEVE			No	
57	861092-00	2	SCREW			No	
60	330045-15	8	SCREW		M5 X 20	Yes	
61	N106371	1	DUST PORT			No	
62	N080677	1	KNOB			No	
68	N058308	1	POINTER	RH		Yes	
69	N058309	1	POINTER	LH		Yes	
70	N080199	1	KNOB			No	
72	60325-01	1	RING			No	
74	330045-06	9	SCREW			No	
76	N090294	1	BEVEL SCALE			No	
80	N043045	1	PAWL	22.5		No	
83	N049689	1	STOP RH			No	
85	N051519	1	STOP LH			No	
91	330015-03	4	NUT			No	
92	N058312	2	SCREW			No	
93	N121028	1	BASE SA			No	
94	618192-00	1	PLATE			No	
95	N057391	2	PLATE			No	
96	N121001	1	TABLE SA			No	
97	618172-00	1	COVER			No	

## Parts List for DWS780 MITRE SAW 10

Item	Part Number	Qty	Part Description	General Description	Other Info	Repair Inst	Markets
98	330045-05	12	SCREW	M4X10 T20		No	
99	49787-00	1	RING			No	
100	N058318	1	SCREW	M8 X 1.25 X 27.5		No	
101	N074448	1	NUT			No	
102	153792-00	2	WASHER			No	
103	N059784	1	PLATE			Yes	
104	604410-00	4	SCREW	M6 X 1 X 20mm		No	
105	391358-00	1	HOLDER TOOL			No	
106	N040940	1	WRENCH SPECIAL	T30 - T40		No	
107	N057963	1	POINTER			Yes	
108	N050755	1	ACTUATOR			No	
109	N066280	2	PLATE			No	
111	618170-00	2	PIN			No	
112	624477-00	1	DETENT	Inc 111x2		No	
113	618176-00	1	SPRING COMPRESSION			No	
114	93128-00	2	BEARING NEEDLE			Yes	
115	618254-00	1	RETAINER			No	
116	N082785	1	LEVER			No	
117	N057386	1	PIN			No	
118	624460-00	1	PIN			No	
119	624461-00	1	SLEEVE			No	
120	618186-00	1	ROD			No	
121	618185-00	1	BLOCK			No	
122	385915-03	1	SCREW	M6 X 12 T25		No	
123	618253-00	1	SPRING COMPRESSION			No	
124	624730-01	1	HANDLE SA			No	
125	330045-18	4	SCREW	M5 x 35 - T25		No	
126	330019-32	5	SCREW	M4.55X22 T20		No	
127	N078832	1	SA POWER SUPPLY			No	GB
127	N078832	1	SA POWER SUPPLY			No	LX
128	606056-00	1	SWITCH			No	
129	384127-01	4	SCREW	T15		No	
131	N029242	1	MOTOR CABLE			No	

## Parts List for DWS780 MITRE SAW 10

Item	Part Number	Qty	Part Description	General Description	Other Info	Repair Inst	Markets
132	330060-91	1	CORDSET	230V GB		No	GB
132	330061-28	1	CORDSET	115V		No	LX
133	N083060	1	HANDLE			No	
134	330019-22	1	SCREW	M5.5X32 T25		No	
135	398443-00	1	CABLE CLAMP			No	
137	N030322	1	COVER			No	
138	N071965	1	FENCE			No	
139	N032324	1	FENCE LH			No	
140	N032326	1	FENCE RH			No	
141	147107-02	2	KNOB LOWER			No	
142	98105-03	5	SCREW	M8 X 25 T40		No	
143	391317-00	1	FIELD CASE			No	
144	N030189SV	1	ARMATURE SA	230V.W PULLEY		Yes	GB
144	N093108	1	ARMATURE 115V	inc 48,149,150,160		Yes	LX
145	869045-00	1	FIELD 230V			No	GB
145	869045-01	1	FIELD 115V			No	LX
146	391282-00	1	MOUNTING BRACKET			No	
147	394034-00	1	SCREW	T25		No	
148	N004510	1	DRIVE PULLEY			Yes	
149	N110359	1	BEARING			No	
149	N110359	1	BEARING			No	
150	930098-00	1	RETAINER			No	
151	145312-00	1	PLUG			No	
152	98094-55	4	SCREW	M5 X 55mm T25		No	
153	391933-00	1	END CAP			No	
154	330019-13	4	SCREW	M4 x 19 - T20		No	
155	330019-19	2	SCREW	4.55 * 60 T20		No	
156	391375-00	1	BAFFLE FAN			No	
157	389512-01	1	BRUSH PLATE			No	GB
158	610722-00	1	LABEL			No	
159	N104373	1	RATING PLATE			No	GB
159	N104374	1	RATING PLATE			No	LX
160	153783-00	1	RING			No	

## Parts List for DWS780 MITRE SAW 10

Item	Part Number	Qty	Part Description	General Description	Other Info	Repair Inst	Markets
161	605155-00	1	BUSHING			No	
170	N121003	1	CARRIAGE SA			No	
171	603390-00	8	SCREW			No	
172	397118-00	3	GUIDE			No	
173	153576-04	1	SCREW			No	
174	613497-00	1	THRUST PLATE			No	
177	N051244	2	BUMPER			No	
178	659919-00	1	SPRING			No	
179	612008-00	1	SCREW	M8x30 Patch Lock		No	
180	N056883	1	LOCK HANDLE			No	
181	330016-04	1	WASHER			No	
183	N095579	1	LEVER SA			No	
184	167785-00	1	SPRING			No	
185	N041865	1	PIN			No	
186	615851-00	1	BUSHING			No	
187	153797-00	1	BOLT			No	
188	N058315	2	SCREW.SPECIAL	M6		No	
189	385946-00	2	WASHER SPRING			No	
190	98103-18	2	SCREW			No	
191	641484-00	2	PLATE			No	
192	153797-04	2	SCREW	M5 X 25		No	
193	645746-00	2	BUSHING			No	
194	N075819	1	DUST PORT			No	
195	153451-00	1	BEARING THRUST			No	
200	621329-00	1	IDENTITY LABEL			No	
201	N174417	1	WARNING LABEL			No	
203	386780-00	2	BEARING			No	
204	N028803	1	GUARD LOWER			No	
205	N020822	1	PLATE			No	
206	385915-01	8	SCREW	T20		No	
207	N041973	1	PLATE			No	
208	146768-00	1	BUMPER			No	
209	618195-00	1	LINK			No	

## Parts List for DWS780 MITRE SAW 10

Item	Part Number	Qty	Part Description	General Description	Other Info	Repair Inst	Markets
210	145332-00	1	TERMINAL			No	
212	614843-00	1	RETAINER			No	
213	661454-00	1	SPRING			No	
214	148295-00	1	SLEEVE			No	
215	625825-00	2	ROLLER			No	
216	142273-00	2	RING			No	
217	394976-00	2	LABEL			No	
218	146760-02	1	STUD			No	
219	153666-00	2	SCREW			No	
221	145332-00	4	TERMINAL			No	
222	450212-00	1	TERMINAL			No	
223	395301-00	2	LABEL			No	
224	381028-08	2	BRUSH & LEAD			No	GB
224	381028-08	2	BRUSH & LEAD			No	LX
225	395716-00	1	TERMINAL			No	
226	153669-00	1	CORD CLAMP			No	
229	N066282	1	LEVER LOCK			No	
230	152852-00	1	BOLT			No	
231	386196-00	1	SPRING			No	
232	392131-00	1	KNOB			No	
233	628744-00	1	CONTROL MODULE SA			Yes	GB
233	N033995	1	GACC MODULE 115V			Yes	LX
234	622950-00	1	LEAD SA			No	
236	618159-00	1	LEAD SA			No	
237	393520-00	1	TERMINAL BLOCK			No	
238	388414-01	1	BUSH			No	
239	147734-06	1	DUSTBAG			No	
240	630065-00	1	CLAMP SA			No	
241	N072222	1	PLATE			No	
243	385137-00	1	NUT			No	
245	330019-03	2	SCREW	M3.5 x 16		No	
247	N058314	4	SCREW	M5 X 12		No	
248	N043046	1	PAWL	30.0		No	



## Parts List for DWS780 MITRE SAW 10

Item	Part Number	Qty	Part Description	General Description	Other Info	Repair Inst	Markets
250	153669-00	1	CORD CLAMP			No	
253	609468-00	1	PAD	THERMAL		No	
255	863259-00	1	PROTECTOR			No	
800	429698-00	1	GREASE	1.81kg (4lb)		No	
800	93488-00	1	GREASE	49g		No	
837	559626-99	1	S.T.SQUARE			No	