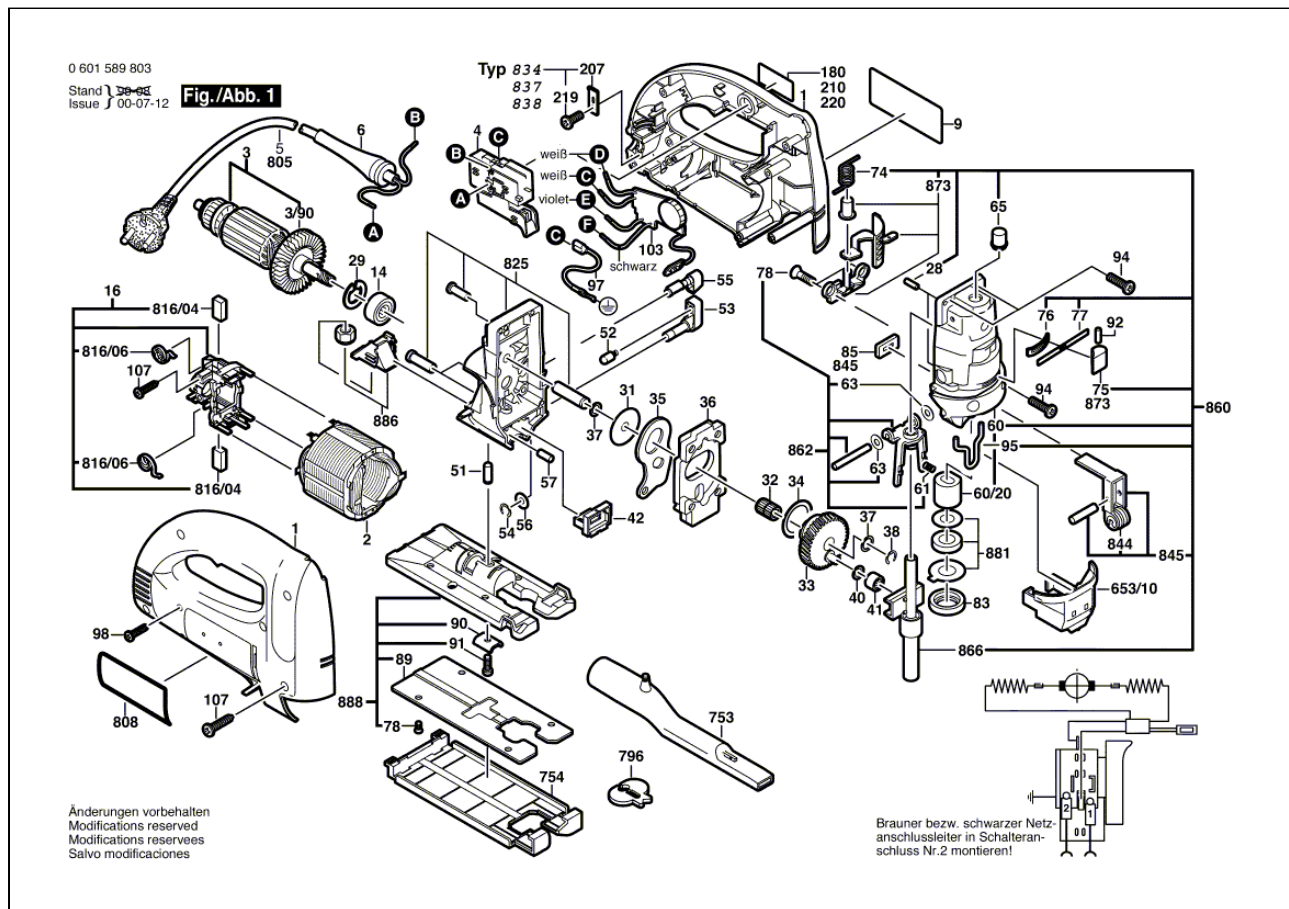


JIG SAW

O 601 589 841 GST 100 BCE



Item	Quantity	Order No.	Designation	Price group	Page
1	1	2 605 104 582	HOUSING SECTION / BLUE	28	1
2	1	2 604 220 591	FIELD / 100-120V	28	1
3	1	2 604 011 149	ARMATURE / 100-120V	39	1
3/90	1	2 606 610 089	FAN	18	1
4	1	2 607 200 537	ON-OFF SWITCH	24	1
5	1	2 604 460 217	MAINS CONNECTION CABLE / GB 110V 4,15m 2 x 1,0mm H05RN-F	32	1
6	1	2 600 703 017	GROMMET / Ø6,4-Ø7,2x76 MM	11	1
9	1	2 601 116 509	MANUFACTURER'S NAMEPLATE	15	1
14	1	2 600 905 095	DEEP-GROOVE BALL BEARING	24	1
16	1	2 605 807 083	BRUSH PLATE	30	1
28	2	1 903 201 042	NEEDLE ROLLER / DIN 5402-A3x11,8-G2	12	1
29	1	2 916 660 008	C-CLIP / DIN 472-24x1,2 MM	11	1
31	1	2 600 101 048	SHIM / Ø 0,5 MM	11	1
32	1	2 600 913 040	NEEDLE-ROLLER ASSEMBLY	18	1
33	1	2 606 320 055	ECCENTRIC COG WHEEL	32	1
34	1	2 600 102 614	SHIM / 0,5 MM	11	1
35	1	2 601 923 010	FORK LEVER	16	1
36	1	2 601 098 032	COUNTERWEIGHT	27	1
37	2	2 600 101 047	SHIM / 0,3 MM	11	1
38	1	2 916 080 909	LOCKING WASHER / DIN 6799-6-FST	10	1
40	1	2 600 200 038	INTERMEDIATE RING	11	1
41	1	2 600 917 900	NEEDLE SLEEVE	21	1
42	1	2 602 305 048	AIR ELIMINATOR	11	1
51	1	2 603 105 053	AXLE PIN	11	1
52	1	2 600 590 006	RATCHET CAP	11	1
53	1	2 602 026 063	ROTARY KNOB / BLACK	15	1

54	1	2 916 080 908	LOCKING WASHER / 5 DIN 6799	10	1
55	1	2 602 026 065	ROTARY KNOB / BLACK	11	1
56	1	2 600 100 607	SHIM / 0,3 MM	11	1
57	1	2 603 100 069	STRAIGHT PIN / 17,35+0,1 MM	11	1
60	1	2 605 808 081	GEAR COVER	35	1
60/20	1	2 600 301 037	BUSHING	11	1
61	2	2 604 610 042	COMPRESSION SPRING	11	1
63	2	2 600 101 095	SHIM	11	1
65	1	2 601 015 064	SEAL	11	1
74	1	2 604 651 011	TORSION SPRING	11	1
75	1	2 600 591 010	CAP-HANDLE / BLACK	11	1
76	1	2 601 015 065	SEAL	11	1
77	1	2 601 016 079	COVER PLATE	11	1
78	6	2 603 490 029	SCREW	10	1
83	1	2 600 202 037	RETAINING RING	12	1
85	1	2 601 015 057	SEALING PLATE	11	1
89	1	2 601 098 082	WORK BOARD	20	1
90	1	2 601 030 022	PROFILE BEADING	11	1
91	1	2 910 141 197	HEX-SOCKET-HEAD CAP SCREW / DIN 912-M6x16-8.8	11	1
92	1	2 917 760 034	SLOTTED PIN / 2x6 DIN 1481	10	1
94	2	2 603 410 049	THREAD-FORMING TAP. SCREW / M 4x12 MM	11	1
95	1	2 603 101 046	PROTECTING COVER / BLACK	11	1
97	1	2 604 448 210	EARTH CONDUCTOR	11	1
98	2	2 603 490 018	TORX OVAL-HEAD SCREW	10	1
103	1	2 607 230 070	GOVERNOR / 100-120V	36	1
107	8	2 603 490 024	TORX OVAL-HEAD SCREW	11	1
653/10	1	2 605 510 159	COVERING HOOD	12	1
753	1	2 605 730 038	SUCTION NOZZLE	18	1
754	1	2 608 000 184	PAD	16	1
796	1	2 607 010 079	PARTS SET		1
808	1	2 601 117 394	REFERENCE PLATE	16	1
816/04	1	2 604 320 913	CARBON-BRUSH SET	21	1
816/06	2	1 604 652 013	SPIRAL SPRING	11	1
825	1	2 605 806 896	GEAR HOUSING	38	1
844	1	2 600 326 904	ROLLER SET	23	1
845	1	2 601 321 904	ROLLER LEVER	27	1
860	1	2 605 808 927	GEAR COVER	47	1
862	1	2 601 322 900	GUIDE BRACKET	23	1
866	1	2 600 780 905	LIFTING ROD	38	1
873	1	2 601 990 903	HOLDING PLATE	18	1
881	1	2 600 290 902	SEAL KIT	13	1
886	1	2 605 500 908	FAN COVER / BLUE	12	1
888	1	2 608 000 920	BASE PLATE	30	1