

~~0024271~~

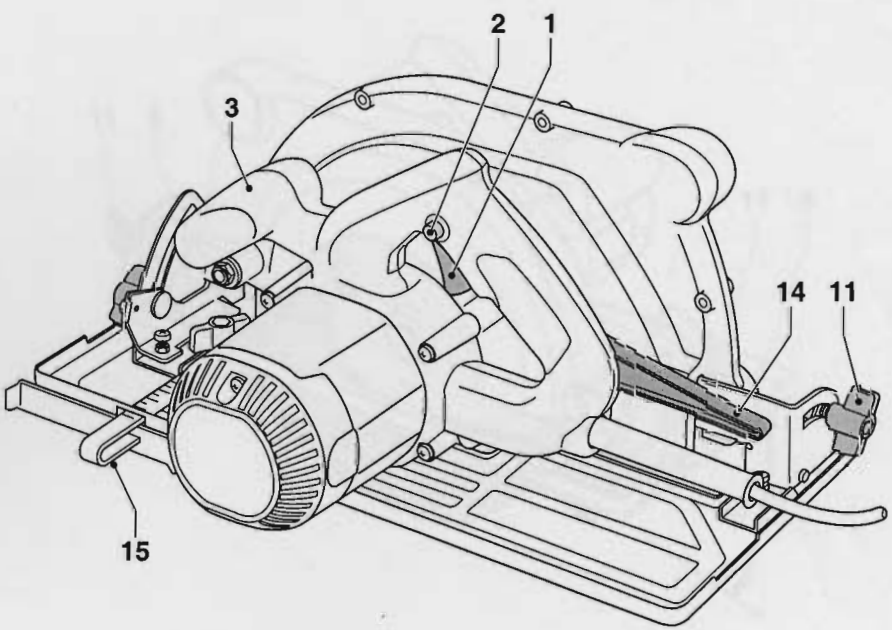
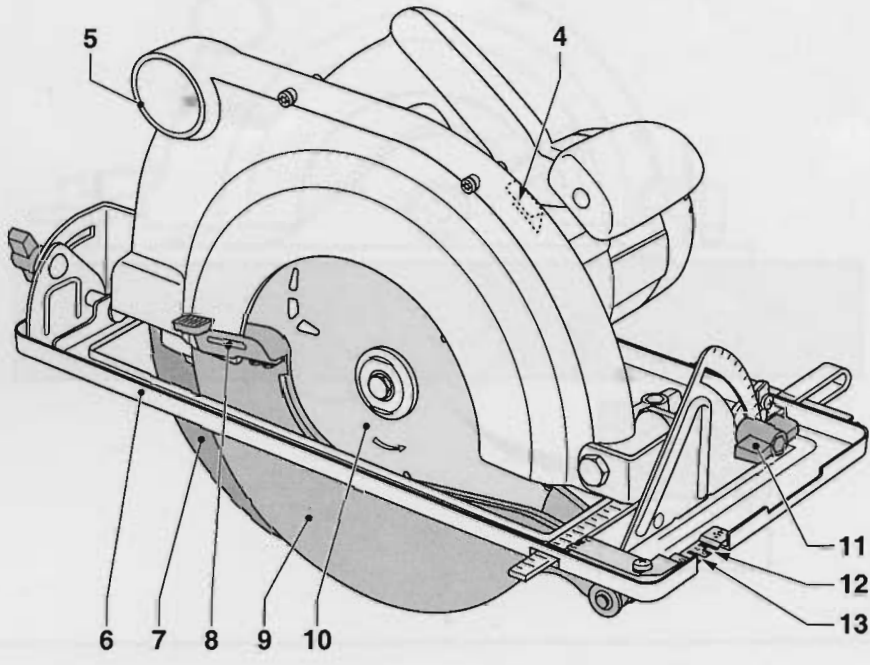
~~74272~~

32640

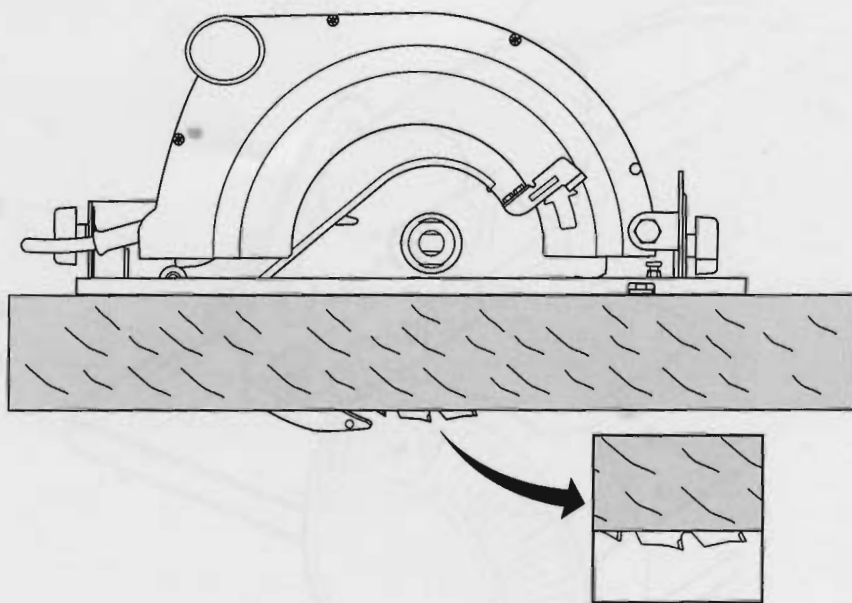
73186

DEWALT®

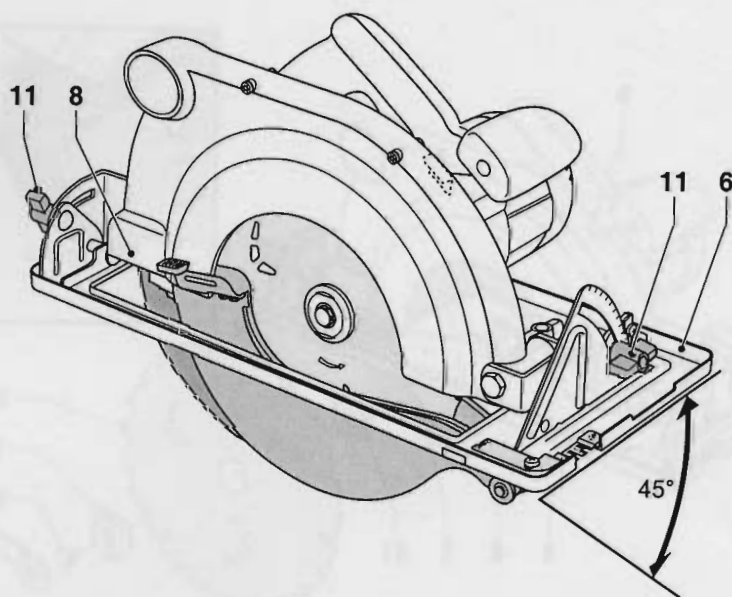
D23700



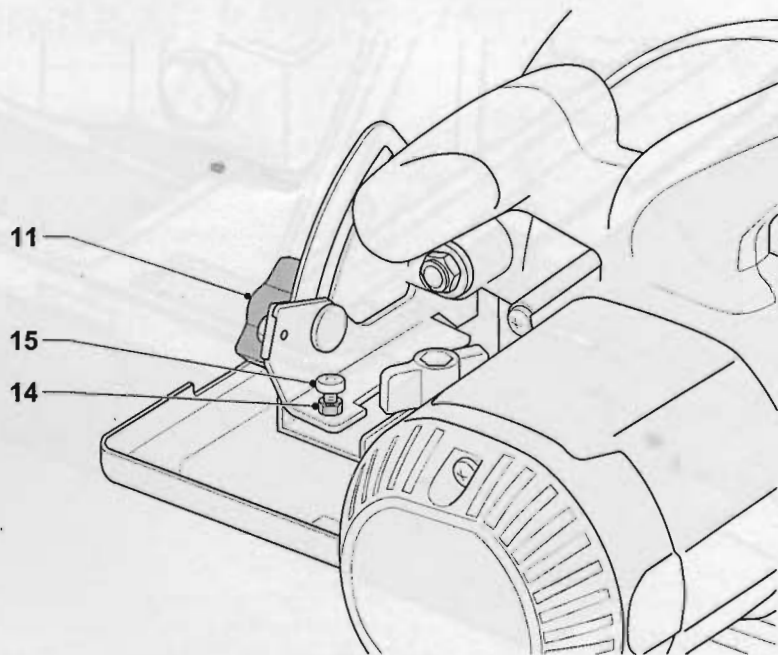
A



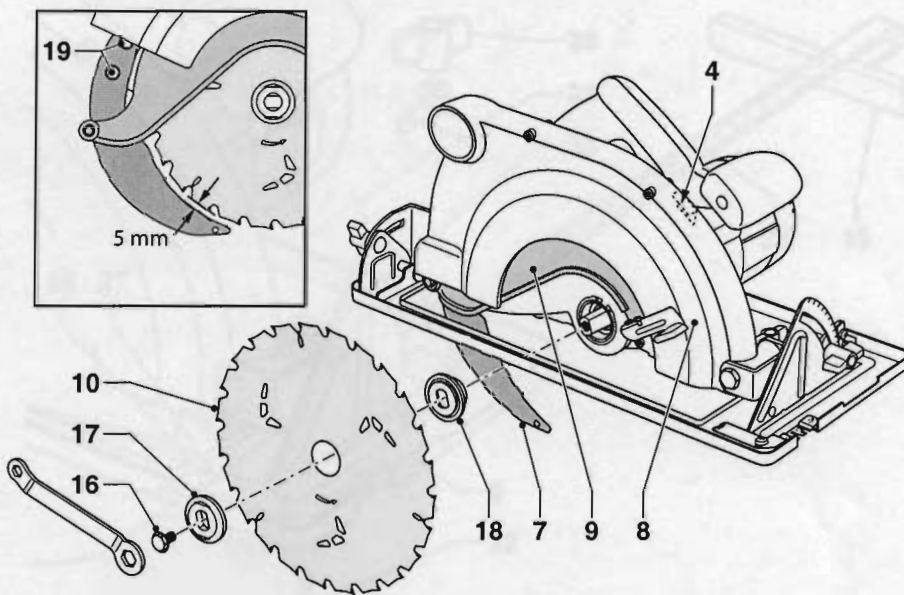
B



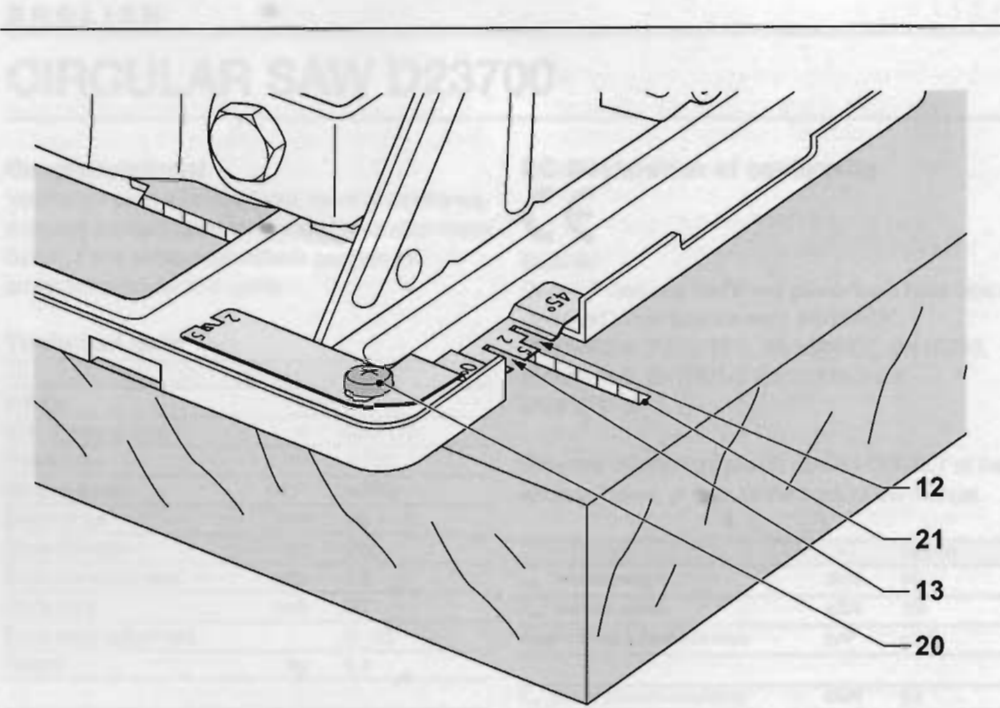
C



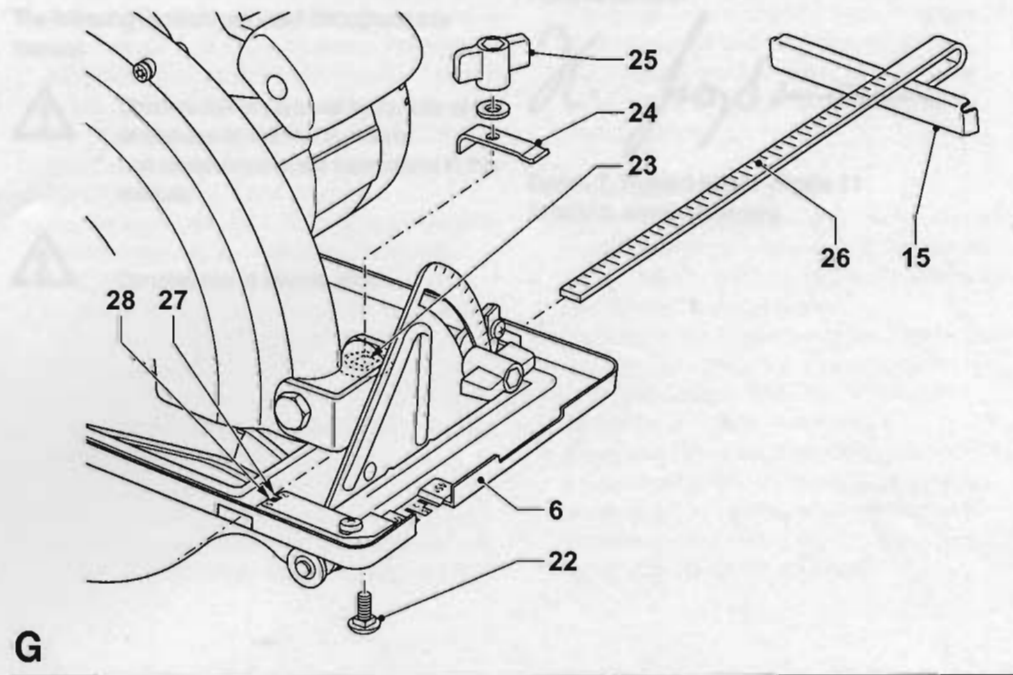
D



E



F



G

CIRCULAR SAW D23700

Congratulations!

You have chosen a DeWALT tool. Years of experience, thorough product development and innovation make DeWALT one of the most reliable partners for professional power tool users.

Technical data

	D23700	
Voltage	V	230
(U.K. & Ireland only)	V	230/115
Power input	W	1,750
No-load speed	min ⁻¹	4,900
Depth of cut	mm	86
Blade diameter	mm	235
Blade body thickness	mm	1.6
Blade bore	mm	30
Bevel angle adjustment		0 - 45°
Weight	kg	8.4

Fuses:

Europe	230 V tools	10 Amperes, mains
U.K. & Ireland	230 V tools	13 Amperes, in plugs

The following symbols are used throughout this manual:



Denotes risk of personal injury, loss of life or damage to the tool in case of non-observance of the instructions in this manual.



Denotes risk of electric shock.

EC-Declaration of conformity



D23700

DeWALT declares that these power tools have been designed in compliance with: 98/37/EEC, 89/336/EEC, 73/23/EEC, 86/188/EEC, EN 60745, EN 55014-2, EN 55014, EN 61000-3-2 & EN 61000-3-11.

For more information, please contact DeWALT at the address below, or refer to the back of the manual.

	D23700	
L _{PA} (sound pressure)	dB(A)	94
L _{WA} (acoustic power)	dB(A)	105
Weighted RMS acceleration value	m/s ²	< 2.5
K _{PA} (sound pressure uncertainty)	dB(A)	2.8
K _{WA} (acoustic power uncertainty)	dB(A)	2.8

Director Engineering and Product Development
Horst Großmann

DeWALT, Richard-Klinger-Straße 11
D-65510, Idstein, Germany

General safety rules

Warning! Read all instructions. Failure to follow all instructions listed below may result in electric shock, fire and/or serious injury. The term „power tool“ in all of the warnings listed below refers to your mains operated (corded) power tool or battery operated (cordless) power tool. **SAVE THESE INSTRUCTIONS.**

1 Work area

- a Keep work area clean and well lit.** Cluttered and dark areas invite accidents.
- b Do not operate power tools in explosive atmospheres, such as in the presence of flammable liquids, gases or dust.** Power tools create sparks which may ignite the dust or fumes.
- c Keep children and bystanders away while operating a power tool.** Distractions can cause you to lose control.

2 Electrical safety

- a Power tool plugs must match the outlet.** Never modify the plug in any way. Do not use any adapter plugs with earthed (grounded) power tools. Unmodified plugs and matching outlets will reduce risk of electric shock.
- b Avoid body contact with earthed or grounded surfaces such as pipes, radiators, ranges and refrigerators.** There is an increased risk of electric shock if your body is earthed or grounded.
- c Do not expose power tools to rain or wet conditions.** Water entering a power tool will increase the risk of electric shock.
- d Do not abuse the cord.** Never use the cord for carrying, pulling or unplugging the power tool. Keep cord away from heat, oil, sharp edges or moving parts. Damaged or entangled cords increase the risk of electric shock.
- e When operating a power tool outdoors, use an extension cord suitable for outdoor use.** Use of a cord suitable for outdoor use reduces the risk of electric shock.

3 Personal safety

- a Stay alert, watch what you are doing and use common sense when operating a power tool.**

Do not use a power tool while you are tired or under the influence of drugs, alcohol or medication. A moment of inattention while operating power tools may result in serious personal injury.

- b Use safety equipment. Always wear eye protection.** Safety equipment such as dust mask, non-skid safety shoes, hard hat, or hearing protection used for appropriate conditions will reduce personal injuries.
- c Avoid accidental starting. Ensure the switch is in the off position before plugging in.** Carrying power tools with your finger on the switch or plugging in power tools that have the switch on invites accidents.
- d Remove any adjusting key or wrench before turning the power tool on.** A wrench or a key left attached to a rotating part of the power tool may result in personal injury.
- e Do not overreach. Keep proper footing and balance at all times.** This enables better control of the power tool in unexpected situations.
- f Dress properly. Do not wear loose clothing or jewellery. Keep your hair, clothing and gloves away from moving parts.** Loose clothes, jewellery or long hair can be caught in moving parts.
- g If devices are provided for the connection of dust extraction and collection facilities, ensure these are connected and properly used.** Use of these devices can reduce dust related hazards.

4 Power tool use and care

- a Do not force the power tool. Use the correct power tool for your application.** The correct power tool will do the job better and safer at the rate for which it was designed.
- b Do not use the power tool if the switch does not turn it on and off.** Any power tool that cannot be controlled with the switch is dangerous and must be repaired.
- c Disconnect the plug from the power source before making any adjustments, changing accessories, or storing power tools.** Such preventive safety measures reduce the risk of starting the power tool accidentally.

ENGLISH

- d Store idle power tools out of the reach of children and do not allow persons unfamiliar with the power tool or these instructions to operate the power tool. Power tools are dangerous in the hands of untrained users.
- e Maintain power tools. Check for misalignment or binding of moving parts, breakage of parts and any other condition that may affect the power tools operation. If damaged, have the power tool repaired before use. Many accidents are caused by poorly maintained power tools.
- f Keep cutting tools sharp and clean. Properly maintained cutting tools with sharp cutting edges are less likely to bind and are easier to control.
- g Use the power tool, accessories and tool bits etc., in accordance with these instructions and in the manner intended for the particular type of power tool, taking into account the working conditions and the work to be performed. Use of the power tool for operations different from those intended could result in a hazardous situation.

5 Service

- a Have your power tool serviced by a qualified repair person using only identical replacement parts. This will ensure that the safety of the power tool is maintained.

Safety instructions for all saws

DANGER:

- a Keep hands away from cutting area and the blade. Keep your second hand on auxiliary handle, or motor housing. If both hands are holding the saw, they cannot be cut by the blade.
- b Do not reach underneath the workpiece. The guard cannot protect you from the blade below the workpiece.
- c Adjust the cutting depth to the thickness of the workpiece. Less than a full tooth of the blade teeth should be visible below the workpiece.
- d Never hold piece being cut in your hands or across your leg. Secure the workpiece to a stable platform. It is important to support the work properly to minimize body exposure, blade binding, or loss of control.
- e Hold power tool by insulated gripping surfaces when performing an operation where the cutting tool may contact hidden wiring or its own cord. Contact with a „live“ wire will also make exposed metal parts of the power tool „live“ and shock the operator.
- f When ripping always use a rip fence or straight edge guide. This improves the accuracy of cut and reduces the chance of blade binding.
- g Always use blades with correct size and shape (diamond versus round) of arbour holes. Blades that do not match the mounting hardware of the saw will run eccentrically, causing loss of control.
- h Never use damaged or incorrect blade washers or bolt. The blade washers and bolt were specially designed for your saw, for optimum performance and safety of operation.

Further safety instructions for all saws

Causes and operator prevention of kickback:

- kickback is a sudden reaction to a pinched, bound or misaligned saw blade, causing an uncontrolled saw to lift up and out of the workpiece toward the operator;
- when the blade is pinched or bound tightly by the kerf closing down, the blade stalls and the motor reaction drives the unit rapidly back toward the operator;
- if the blade becomes twisted or misaligned in the cut, the teeth at the back edge of the blade can dig into the top surface of the wood causing the blade to climb out of the kerf and jump back toward the operator.

Kickback is the result of saw misuse and/or incorrect operating procedures or conditions and can be avoided by taking proper precautions as given below.

- a Maintain a firm grip with both hands on the saw and position your arms to resist kickback forces. Position your body to either side of the blade, but not in line with the blade. Kickback could cause the saw to jump backwards, but kickback forces can be controlled by the operator, if proper precautions are taken.

- b When blade is binding, or when interrupting a cut for any reason, release the trigger and hold the saw motionless in the material until the blade comes to a complete stop. Never attempt to remove the saw from the work or pull the saw backward while the blade is in motion or kickback may occur. Investigate and take corrective actions to eliminate the cause of blade binding.
- c When restarting a saw in the workpiece, centre the saw blade in the kerf and check that saw teeth are not engaged into the material. If saw blade is binding, it may walk up or kickback from the workpiece as the saw is restarted.
- d Support large panels to minimise the risk of blade pinching and kickback. Large panels tend to sag under their own weight. Supports must be placed under the panel on both sides, near the line of cut and near the edge of the panel.
- e Do not use dull or damaged blades. Unsharpened or improperly set blades produce narrow kerf causing excessive friction, blade binding and kickback.
- f Blade depth and bevel adjusting locking levers must be tight and secure before making cut. If blade adjustment shifts while cutting, it may cause binding and kickback.
- g Use extra caution when making a „plunge cut“ into existing walls or other blind areas. The protruding blade may cut objects that can cause kickback.

Safety instructions for saws with a pendulum blade guard

- a Check lower guard for proper closing before each use. Do not operate the saw if lower guard does not move freely and close instantly. Never clamp or tie the lower guard into the open position. If saw is accidentally dropped, lower guard may be bent. Raise the lower guard with the retracting handle and make sure it moves freely and does not touch the blade or any other part, in all angles and depths of cut.
- b Check the operation of the lower guard spring. If the guard and the spring are not operating properly, they must be serviced before use. Lower guard may operate sluggishly due to damaged parts, gummy deposits, or a build-up of debris.

- c Lower guard should be retracted manually only for special cuts such as „plunge cuts“ and „compound cuts.“ Raise lower guard by retracting handle and as soon as blade enters the material, the lower guard must be released. For all other sawing, the lower guard should operate automatically.
- d Always observe that the lower guard is covering the blade before placing saw down on bench or floor. An unprotected, coasting blade will cause the saw to walk backwards, cutting whatever is in its path. Be aware of the time it takes for the blade to stop after switch is released.

Additional safety instructions for all saws with riving knife

- a Use the appropriate riving knife for the blade being used. For the riving knife to work, it must be thicker than the body of the blade but thinner than the tooth set of the blade.
- b Adjust the riving knife as described in this instruction manual. Incorrect spacing, positioning and alignment can make the riving knife ineffective in preventing kickback.
- c Always use the riving knife except when plunge cutting. Riving knife must be replaced after plunge cutting. Riving knife causes interference during plunge cutting and can create kickback.
- d For the riving knife to work, it must be engaged in the workpiece. The riving knife is ineffective in preventing kickback during short cuts.
- e Do not operate the saw if riving knife is bent. Even a light interference can slow the closing rate of a guard.

Additional safety instructions for circular saws

- Wear ear protectors. Exposure to noise can cause hearing loss.
- Preferably wear a dust mask.
- Do not use blades of larger or smaller diameter than recommended. For the proper blade rating refer to the technical data. Use only the blades specified in this manual, complying with EN 847-1.
- Never use abrasive cut-off wheels.

ENGLISH

Package contents

The package contains:

- 1 Circular saw
- 1 Parallel fence
- 1 Saw blade wrench
- 1 Instruction manual
- 1 Exploded drawing

- Check for damage to the tool, parts or accessories which may have occurred during transport.
- Take the time to thoroughly read and understand this manual prior to operation.

Description (fig. A)

Your D23700 circular saw has been designed for professional sawing of wood and plastic. Abrasive cutting wheels are available for cutting metal and stone.

- 1 On/off switch
- 2 Lock-off button
- 3 Front handle
- 4 Spindle lock
- 5 Dust extraction outlet
- 6 Saw shoe
- 7 Riving knife
- 8 Lower guard retracting lever
- 9 Lower guard
- 10 Saw blade
- 11 Bevel adjustment knob
- 12 Mark for bevel cut
- 13 Mark for straight cut
- 14 Depth adjustment knob
- 15 Parallel fence

Electrical safety

The electric motor has been designed for one voltage only. Always check that the power supply corresponds to the voltage on the rating plate.

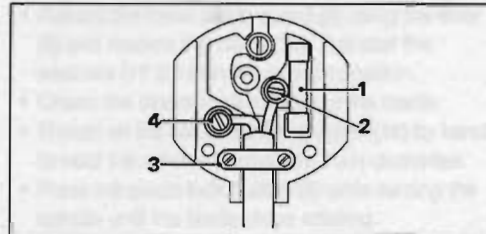


Your DeWALT tool is double insulated in accordance with EN 60745; therefore no earth wire is required.

Mains plug replacement (U.K. & Ireland only)

- Should your mains plug need replacing and you are competent to do this, proceed as instructed below. If you are in doubt, contact an authorized DeWALT repair agent or a qualified electrician.

- Disconnect the plug from the supply.
- Cut off the plug and dispose of it safely; a plug with bared copper conductors is dangerous if engaged in a live socket outlet.
- Only fit 13 Amperes BS1363A approved plugs fitted with the correctly rated fuse (1).
- The cable wire colours, or a letter, will be marked at the connection points of most good quality plugs. Attach the wires to their respective points in the plug (see below). Brown is for Live (L) (2) and Blue is for Neutral (N) (4).
- Before replacing the top cover of the mains plug ensure that the cable restraint (3) is holding the outer sheath of the cable firmly and that the two leads are correctly fixed at the terminal screws.



Never use a light socket.
Never connect the live (L) or neutral (N) wires to the earth pin marked E or \perp .

For 115 V units with a power rating exceeding 1500 W, we recommend to fit a plug to BS4343 standard.

Using an extension cable

If an extension cable is required, use an approved extension cable suitable for the power input of this tool (see technical data). The minimum conductor size is 1.5 mm².

When using a cable reel, always unwind the cable completely.

Also refer to the table below.

Conductor size (mm ²)	Cable rating (Amperes)
0.75	6
1.00	10
1.50	15
2.50	20
4.00	25

Voltage	Amperes	Cable length (m)					
		7.5	15	25	30	45	60
115	0 - 2.0	6	6	6	6	6	10
	2.1 - 3.4	6	6	6	6	15	15
	3.5 - 5.0	6	6	10	15	20	20
	5.1 - 7.0	10	10	15	20	20	25
	7.1 - 12.0	15	15	20	25	25	-
	12.1 - 20.0	20	20	25	-	-	-
230	0 - 2.0	6	6	6	6	6	6
	2.1 - 3.4	6	6	6	6	6	6
	3.5 - 5.0	6	6	6	6	10	15
	5.1 - 7.0	10	10	10	10	15	15
	7.1 - 12.0	15	15	15	15	20	20
	12.1 - 20.0	20	20	20	20	25	-

Voltage drops

Inrush currents cause short-time voltage drops. Under unfavourable power supply conditions, other equipment may be affected.

If the system impedance of the power supply is lower than 0.25 Ω, disturbances are unlikely to occur.

Assembly and adjustment



Prior to assembly and adjustment always unplug the tool.

Depth of cut adjustment (fig. A & B)

- Loosen the depth adjustment knob (14).
- Move the shoe (6) to obtain the correct depth of cut.
- Tighten the depth adjustment knob (14).



For optimal results, allow the saw blade to protrude from the workpiece by about 3 mm (see inset in figure B).

Bevel adjustment (fig. C)

The bevel angle can be adjusted between 0° and 45°.

- Loosen the bevel adjustment knob (11).
- Set the bevel angle by tilting the saw shoe (6) until the mark indicates the desired angle on the scale.
- Tighten the bevel adjustment knob (11).

Shoe adjustment for 90° cuts (fig. D)

- Adjust the saw to 0° bevel.

- Retract the blade guard using the lever (8) and place the saw on the blade side.
- Loosen the bevel adjustment knob (11).
- Place a square against the blade and shoe to adjust the 90° setting.
 - Slacken the nut (14) of the stop (15).
 - Adjust the stop (15) as required.
 - Tighten the nut (14) and the adjustment knob (11).

Replacing the saw blade (fig. E)

- Engage the blade lock button (4) and unscrew the blade clamping screw (16) by turning counterclockwise using the Allen key supplied with the tool.
- Retract the lower blade guard (9) using the lever (8) and replace the blade (10). Reinstall the washers (17 & 18) in the correct position.
- Check the direction of rotation of the blade.
- Thread on the blade clamping screw (16) by hand to hold the washer in position. Turn clockwise.
- Press the blade lock button (4) while turning the spindle until the blade stops rotating.
- Tighten the blade clamping screw firmly using the wrench.

Adjusting the riving knife (fig. E)

For the correct adjustment of the riving knife (7), refer to the inset in figure E. Adjust the clearance of the riving knife after changing the saw blade or whenever necessary.

- Adjust the depth of cut to 0 mm to access the clamping screws of the riving knife.
- Loosen the screws (19) and pull out the riving knife to its maximum length.
- Adjust the clearance and tighten the screw.

Adjusting the cutting line marks (fig. F)

The marks for bevel cuts (12) and for straight cuts (13) have two grooves each:

- narrow groove: for centring standard steel blades
- wider groove: for centring TCT blades

To adjust, proceed as follows:

- With the blade locked at 90°, make a trial cut of approx. 400 mm.
- Withdraw the saw slightly.
- Slacken the screw (20) and align the cut (21) and the mark (13).

ENGLISH

- Firmly tighten the screw (20).
- Both cutting line marks are now correctly adjusted.

Mounting and adjusting the parallel fence (fig. G)

The parallel fence (15) is used for cutting parallel to the edge of the workpiece.

Mounting

- Insert the parallel fence (15) in the saw shoe (6) as shown.
- Insert the bolt (22) into the hole (23).
- Place the clamping bracket (24) over the bolt and tighten the locking screw (25).

Adjusting

- Slacken the locking screw (25) and set the parallel fence (15) to the desired width. The adjustment can be read on the scale (26).
- Tighten the locking screw (25).

The marks (27) and (28) can be used as a guide:

mark (27): for standard steel blades
mark (28): for TCT blades

Instructions for use



- Always observe the safety instructions and applicable regulations.
- Ensure the material to be sawn is firmly secured in place.
- Apply only a gentle pressure to the tool and do not exert side pressure on the saw blade.
- Avoid overloading.
- Do not use excessively worn saw blades.



Do not use your saw for pocket cuts.

Prior to operation:

- Make sure the guards have been mounted correctly. The saw blade guard must be in closed position.
- Make sure the saw blade rotates in the direction of the arrow on the blade.

Switching on and off (fig. A)

For safety reasons the on/off switch (1) of your tool is equipped with a lock-off button (2).

- Press the lock-off button to unlock the tool.
- To run the tool, press the on/off switch (1). As soon as the on/off switch is released the lock-off switch is automatically activated to prevent unintended starting of the machine.



- Do not switch the tool on or off when the saw blade touches the workpiece or other materials.
- Do not operate the spindle lock while the tool is running.

Holding and guiding the tool (fig. A)

- Hold the tool by the main grip and the front handle (3) to guide the saw properly.
- For optimum results, clamp the workpiece bottom up.
- Follow the line drawn on the workpiece using the mark (13)
- In case of a bevel angle of 45° follow the line drawn on the workpiece using the mark (12).
- Lead the cord away in line with the rear of the tool.



Dust extraction (fig. A)

Your tool is fitted with a dust extraction outlet (5).

- Whenever possible, connect a dust extraction device designed in accordance with the relevant regulations regarding dust emission.
- Always use a vacuum extractor designed in compliance with the applicable Directives regarding dust emission when sawing wood. Vacuum hoses of most common vacuum cleaners will fit directly into the dust extraction outlet.



Do not use a vacuum extractor without proper spark protection when sawing metal.

Consult your dealer for further information on the appropriate accessories.

Maintenance

Your DeWALT power tool has been designed to operate over a long period of time with a minimum of maintenance. Continuous satisfactory operation depends upon proper tool care and regular cleaning.

**Lubrication**

Your power tool requires no additional lubrication.

**Cleaning**

Keep the ventilation slots clear and regularly clean the housing with a soft cloth.

**Unwanted tools and the environment**

Take your tool to an authorized DeWALT repair agent where it will be disposed of in an environmentally safe way.

GUARANTEE**• 30 DAY NO RISK SATISFACTION GUARANTEE •**

If you are not completely satisfied with the performance of your DeWALT tool, simply return it within 30 days, complete as purchased, to the point of purchase, for a full refund or exchange. Proof of purchase must be produced.

• ONE YEAR FREE SERVICE CONTRACT •

If you need maintenance or service for your DeWALT tool, in the 12 months following purchase, it will be undertaken free of charge at an authorized DeWALT repair agent. Proof of purchase must be produced. Includes labour and spare parts for Power Tools. Excludes accessories.

• ONE YEAR FULL WARRANTY •

If your DeWALT product becomes defective due to faulty materials or workmanship within 12 months from the date of purchase, we guarantee to replace all defective parts free of charge or, at our discretion, replace the unit free of charge provided that:

- The product has not been misused.
 - Repairs have not been attempted by unauthorized persons.
 - Proof of purchase date is produced.
- This guarantee is offered as an extra benefit and is additional to consumers statutory rights.

For the location of your nearest authorized DeWALT repair agent, please use the appropriate telephone number on the back of this manual. Alternatively, a list of authorized DeWALT repair agents and full details on our after-sales service are available on the Internet at www.2helpU.com