

Multipurpose tool - 3 601 HB0 000 - GOP 18 VEC

www.powertools-aftersaleservice.com



BOSCH

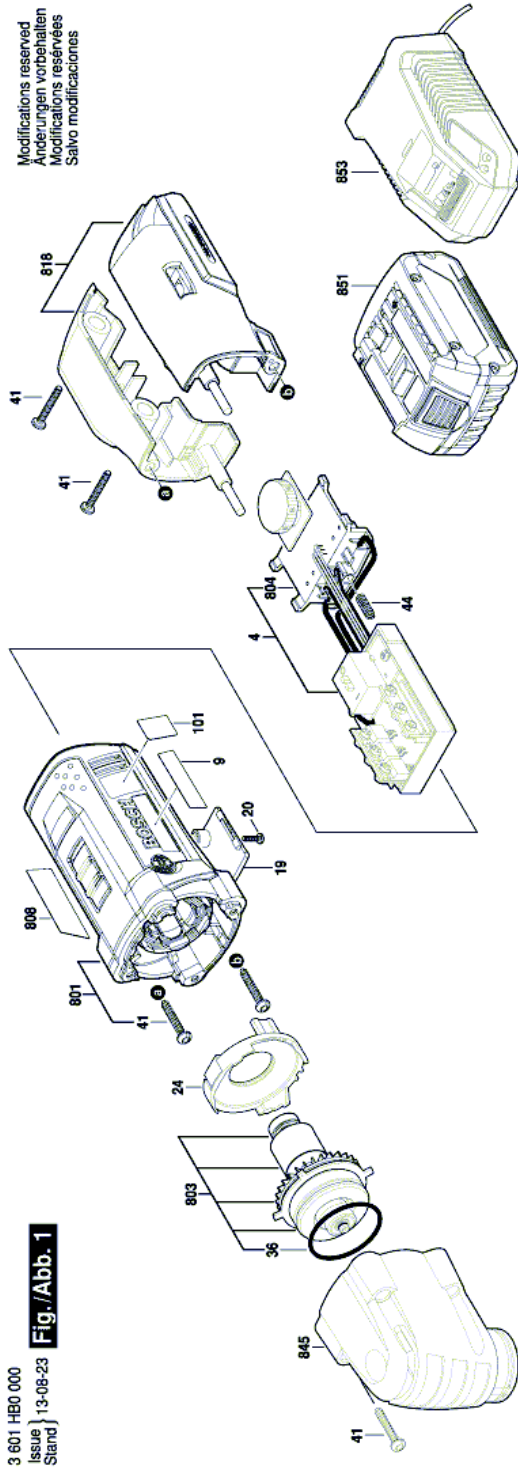
Item	Part Number	Description	Illustration	Price	Quantity	Price Group
4	2 609 199 490	Electronics Module	1	56,50 £	1	44
9	2 609 134 034	Manufacturer's nameplate GOP 18 VEC	1	1,29 £	1	13
19	2 609 101 134	Cover	1	0,72 £	1	11
20	2 603 490 016	Torx Oval-Head Screw 3x8	1	0,72 £	1	11
24	2 609 101 144	Air-Deflector Ring	1	1,29 £	1	13
36	2 600 210 056	O-Ring 31,0x2,0 MM	1	0,72 £	1	11
41	2 603 490 024	Torx Oval-Head Screw 4x25	1	0,72 £	7	11
44	1 609 280 477	Compression Spring	1	0,72 £	1	11
101	2 609 133 977	Sticker	1	1,29 £	1	13
801	2 609 199 679	Housing Assembly	1	47,26 £	1	42
803	2 609 199 680	Armature assembly	1	43,86 £	1	41
804	1 609 280 478	Contact retainer	1	7,90 £	1	26
808	2 609 135 783	Nameplate	1	1,29 £	1	13
818	2 609 199 750	Battery Housing	1	11,39 £	1	29
845	2 605 806 872	Gear Head	1	82,97 £	1	47
851	2 607 336 815	Slide-In Accu Package BBS MR 18V, 4,0Ah, LI	1	93,42 £	1	48
853	2 607 225 321	Charger EU 230/10,8-18V, 30 MIN	1	39,41 £	1	40
853	2 607 225 323	Charger GB 230/10,8-18V, 30 MIN	1	56,50 £	1	44

NO Lubrication instructions available for this product

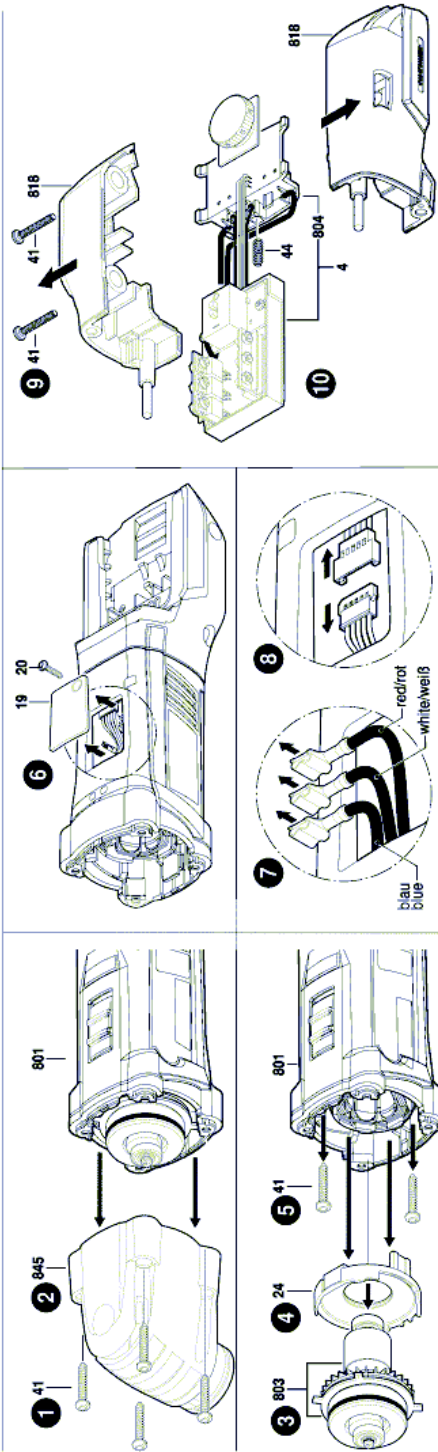
Product information Multipurpose tool - 3 601 HB0 000 - GOP 18 VEC

Product No	3 601 HB0 000
Description	294.454; Multipurpose tool
DIN-Text	
ID_Text_Ext	0
Trading_Description	GOP 18 VEC
Voltage_1	18 V
ID_Country_Product	EU

Illustration - Type E



Zerlegen / Disassembly / Démontage / Desmontaje



Information subject to change without further notice.