



## **MI 25**

LPG / Diesel	35 (47)	2.500	500	FEM 2A	6.500	2.265	2.535
--------------	---------	-------	-----	--------	-------	-------	-------



## **MI 30**

LPG / Diesel	35 (47)	3.000	500	FEM 3A	6.500	2.460	2.715
--------------	---------	-------	-----	--------	-------	-------	-------



## **MI 35**

LPG / Diesel	35 (47)	3.500	500	FEM 3A	6.500	2.510	2.785
--------------	---------	-------	-----	--------	-------	-------	-------



## Mast types

To meet your height requirements, the MI range offers a number of mast options:

### Duplex

Two mast sections one fixed, one sliding. The sliding section is activated when the operator uses the hydraulic lever.

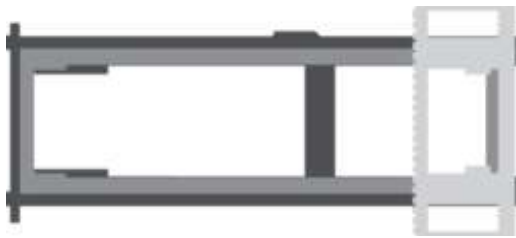
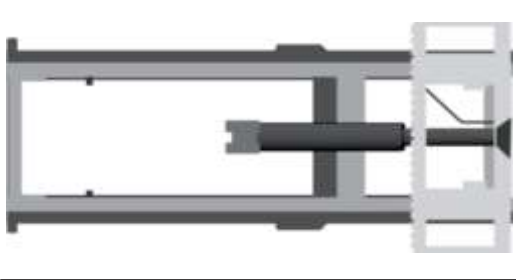

### Free lift duplex

The central cylinder gives the operator greater free lift without having to raise the mast.

### Triplex free lift

The central cylinder gives the operator greater free lift without having to raise the mast. The mast consists of three sections, which allow for a low overall height while maintaining a significant working height.

We can also fulfill your specific requirements: please contact your nearest dealership.

		
Duplex Mast	Free Lift Duplex Mast	Triplex Mast

## Easy-to-use and maintain machines

Reducing machine downtime is a key factor in reducing costs, and the MI range meets this requirement with its ease of maintenance.

Simplicity of design (a limited number of electronic parts) helps keep maintenance costs down.

Easy access to components under the engine hood. The main electronic components are positioned in sealed casings protected from dust and moisture.

