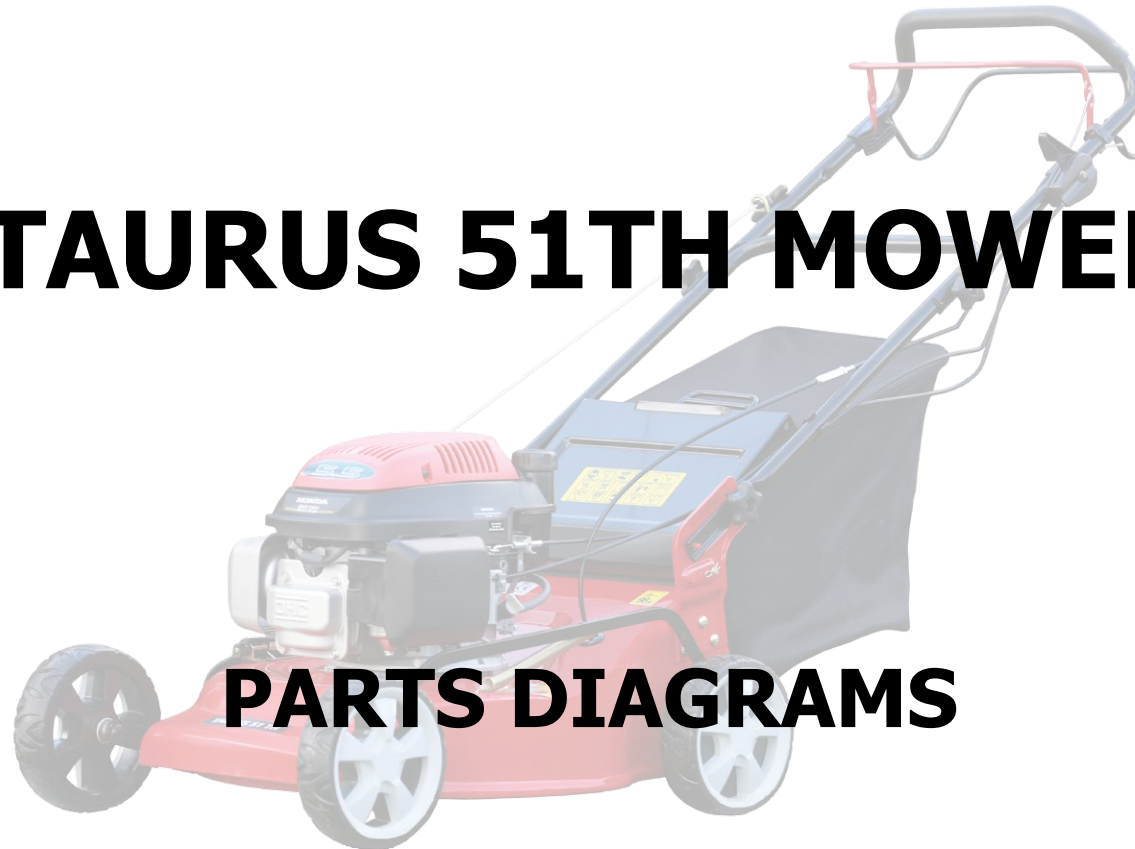
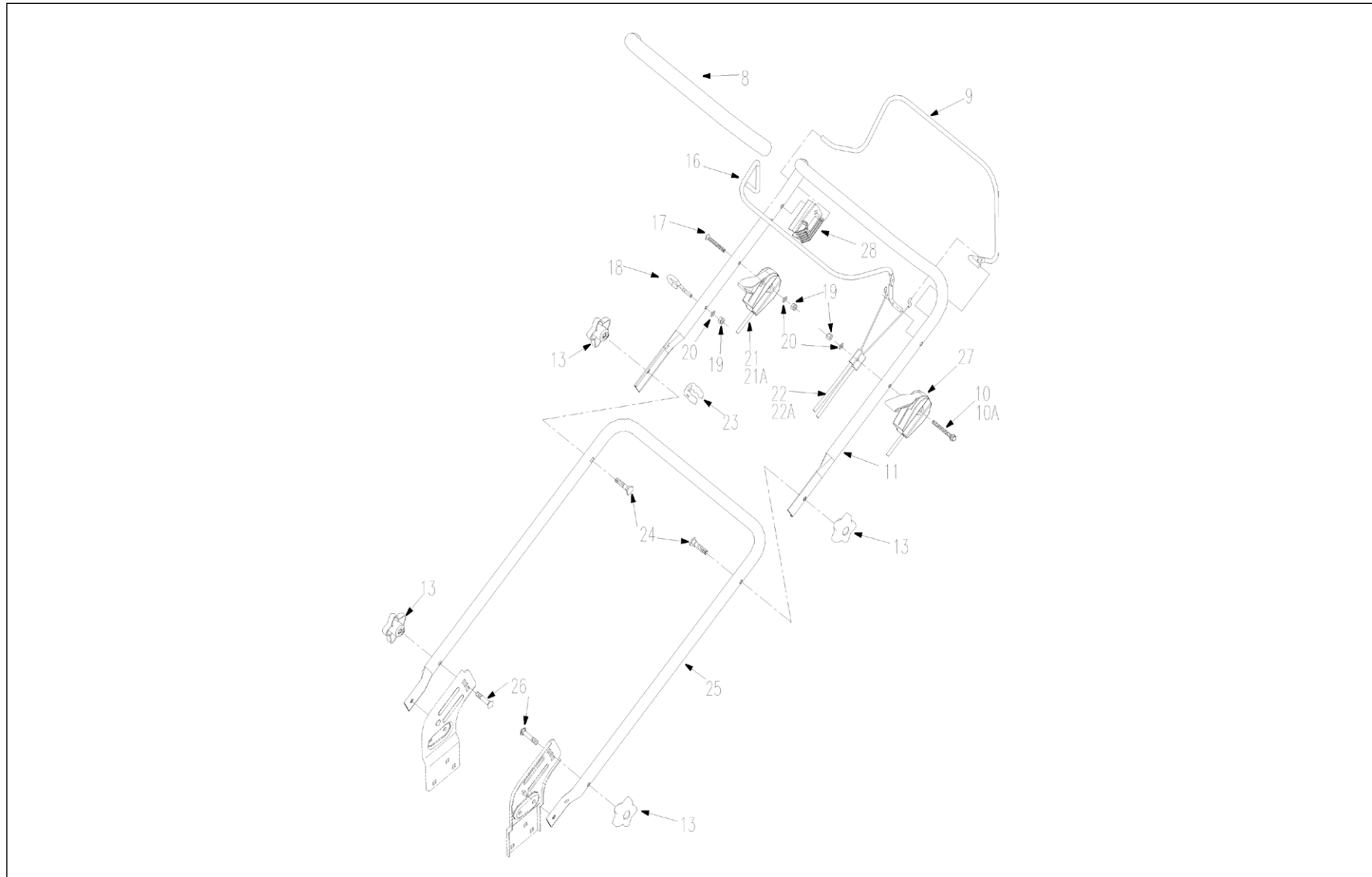


TAURUS 51TH MOWER

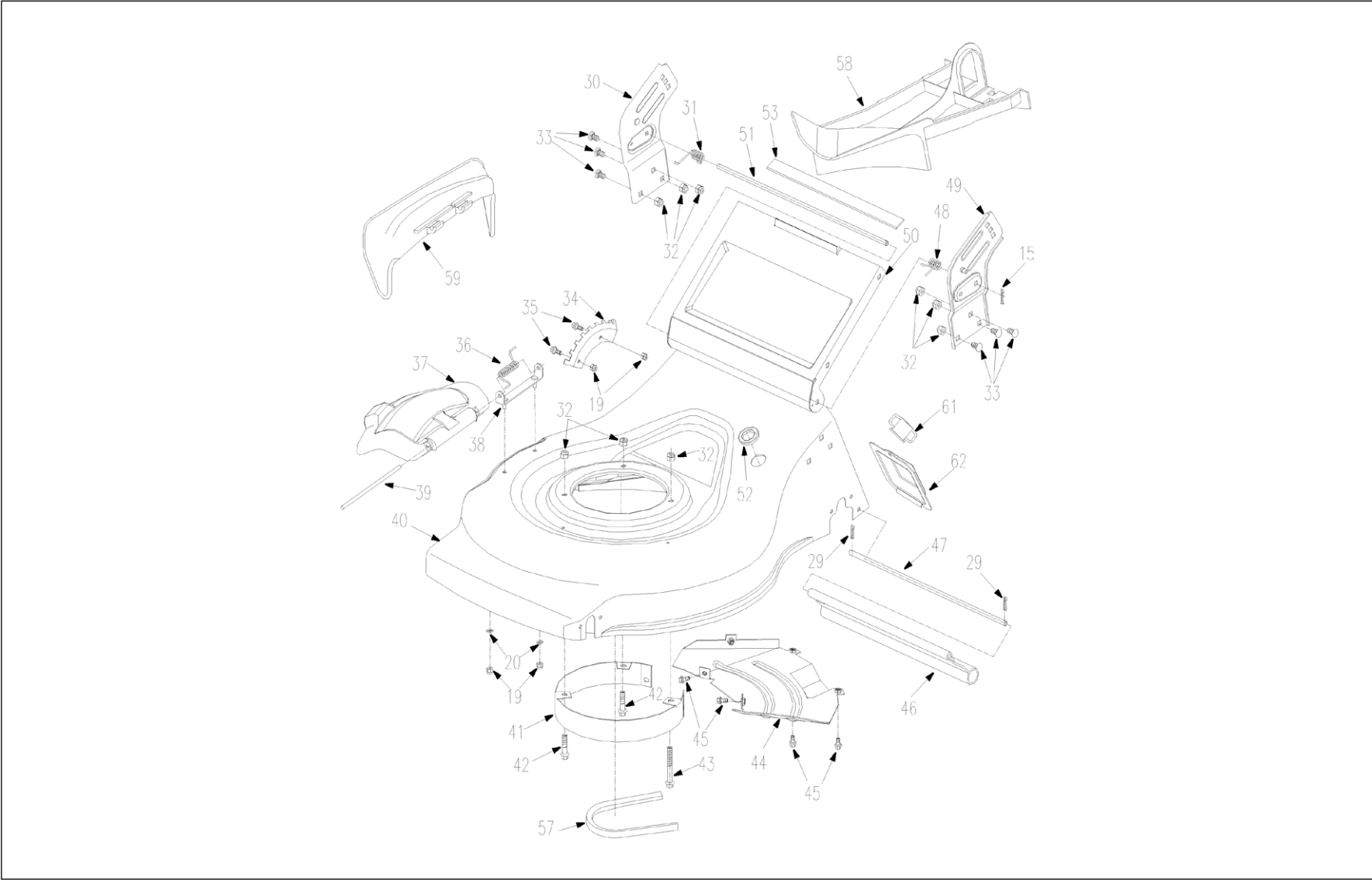


PARTS DIAGRAMS

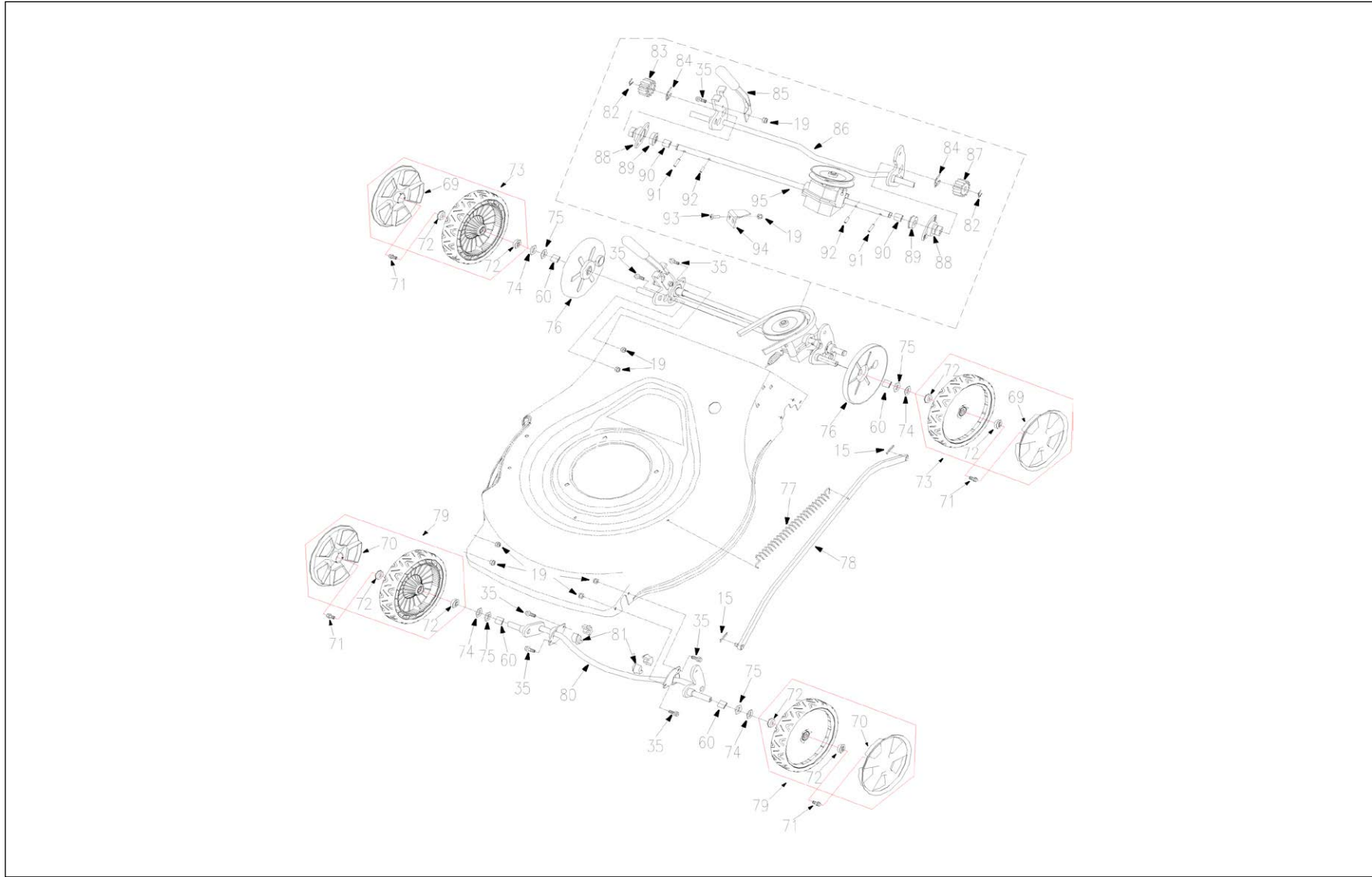
Taurus 51TH Rotary Mower



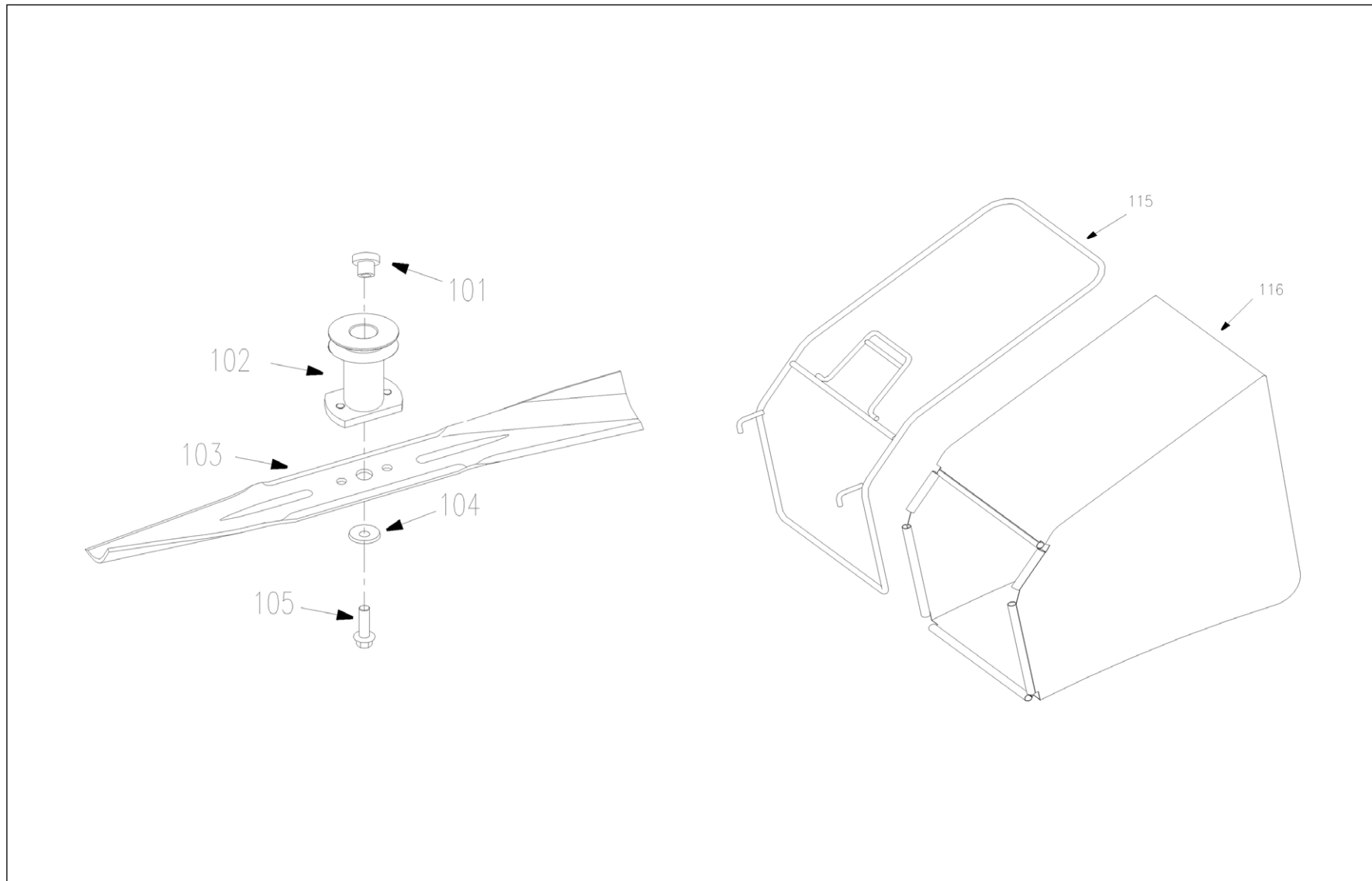
Taurus 51TH Rotary Mower



Taurus 51TH Rotary Mower



Taurus 51TH Rotary Mower



Taurus 51TH Rotary Mower

REF NO.	PART NO.	DESCRIPTION
8	WORD18.6-04	Handle Grip
9	2003201	Drive Clutch Lever
10	B820-640	Phillips Hd Screw M6*40mm
11	2003002	Upper handle
13	XSZ56-1-09	Knob Nut M8mm
15	XSZ56-1-17	Hair Pin
16	2003101	Blade Control Handle
17	B820-650	Phillips Hd Screw M6*50mm
18	WORD18.6-05	Guy hook
19	B6182-6	Nylon Insert Lock Nut M6mm
20	B97.1-6	Flat Washer 6mm
21	XSS46.7	Throttle Control Assembly
22	2203333	Cable unit
23	2011031	Cable Clamp
24	XSS46.4-04	Bolt, Handle
25	2003001	Lower handle
26	B801-840	Square Neck Bolt M8x40mm
28	2203003	Bracket
29	B91-220	Hair Pin
30	2205000A	Right Bracket
31	2200003A	Torsion Spring, Right
32	B6182-8	Nylon Insert Lock Nut M8mm
33	B801-816	Square Neck Bolt M8x16mm
34	2000008C	Height Adjustment Rack
35	B5787-616	Hex Hd. Flange Bolt M6x16mm
36	2200021	Torsion Spring
37	2000016	Mulch Cover
38	2213000	Mounting Bracket, Discharging Chute
39	2000019	Pivot Shaft
40	2008210	Mower Deck
41	2211000	Middle Baffle
42	B5787-835	Hex Hd. Flange Bolt M8x35mm
43	B5787-865	Hex Hd. Flange Bolt M8x65mm
44	2010000	Rear Baffle
45	B5787-612	Hex Hd. Flange Bolt M6x12mm
46	XSS46-15	Rear Guard
47	2000006	Rod, Rear Guard
48	2200002A	Torsion Spring, Left
49	2204000A	Left Bracket
50	2000004	Rear Cover
51	2000001A	Rod, Rear Cover

52	4LZ2.16.4-04	Rubber Ring
53	2200036A	Rubber Bar 3X25X340
57	2012013	V-Belt A800
58	2000015	Mulching Plug
59	2000017	Side Discharge Chute
60	2007401	Bushing
61	2100012	Wing Nuts
62	2008011	Dam board
69	00811	Hub Cap
70	00801	Hub Cap
71	B5787-816	Bolt M8x16mm
72	2201002	Wheel Bearing 1/2"
73	00810	Rear Wheel 8"x2"
74	B955-12	Wave Spring Washer
75	B97.1-12	Flat Washer 12 mm
76	2200034	Cover
77	1810016	Tension Spring
78	2002000	Haul Shank Seam
79	00800	Front Wheel , 8"x2"
80	2009120	Front Shaft Assembly
81	WORD18-01	Nylon Bearing
82	B896-9	E-Clip 9mm
83	2200033	Pinion Gear, Right
84	XSZ56-2-06	E-Clip 19mm
85	2207200	Cutting Height Adjustment Lever
86	2007150	Rear Axle Assembly
87	2200032	Pinion Gear, Left
88	2207002	Bearing Housing
89	2207003	Bearing
90	2207001	Bronze Bushing
91	XSZ56-2-08	Roll Pin
92	B879-516	Spring Pin 5x16mm
93	B818-616	Phillips Pan Hd Screw M6x16mm
94	2000007	Anti Rotation Bracke
95	2021000	Transmission
101	1819001	Bushing
102	2019200	Blade Adaptor Pulley
103	2000002	Blade
104	XSZ56-2-17	Blade Washer
105	2200010	Bolt
115	2006100	Bag Frame
116	2006300	Fabric Bag