

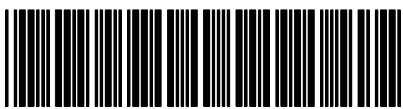
0176649en	002
0309	

# Rammer

# BS 50-2



**OPERATOR'S MANUAL**



0 1 7 6 6 4 9 E N



<b>1. Foreword</b>	<b>5</b>
<b>2. Emission Control System Information</b>	<b>7</b>
<b>3. Safety Information</b>	<b>13</b>
3.1 Operating Safety .....	14
3.2 Operator Safety while using Internal Combustion Engines .....	15
3.3 Service Safety .....	16
3.4 Label Locations .....	17
3.5 Safety and Operating Labels .....	18
<b>4. Operation</b>	<b>24</b>
4.1 Application .....	24
4.2 Recommended Fuel .....	24
4.3 Before Starting .....	24
4.4 To Start .....	25
4.5 To Stop .....	26
4.6 Proper Operation .....	26
4.7 Proper Compaction .....	27
<b>5. Maintenance</b>	<b>28</b>
5.1 Periodic Maintenance Schedule .....	28
5.2 Servicing Air Cleaner .....	29
5.3 Lubrication .....	30
5.4 Fuel Lines .....	32
5.5 Shoe Hardware .....	33
5.6 Carburetor Adjustments .....	34
5.7 Long-Term Storage .....	35
5.8 Transportation .....	35
5.9 Troubleshooting .....	36

**6. Technical Data** **37**

6.1 Rammer .....37

6.2 Sound Measurements .....38

6.3 Vibration Measurements .....38

6.4 Dimensions .....39

# 1 Foreword

## Machines covered in this manual

Machine	Item Number
BS 50-2	0009384 Rev 121, 200 and higher 0009410 Rev 121, 200 and higher 0009411 Rev 121, 200 and higher 0009413 Rev 121, 200 and higher 0620025 Rev 115, 200 and higher 0620048 Rev 115, 200 and higher 0620609 Rev 100, 200 and higher 0620610 Rev 100, 200 and higher 0620733

This manual provides information and procedures to safely operate and maintain this Wacker Neuson model. For your own safety and protection from injury, carefully read, understand and observe the safety instructions described in this manual.

Keep this manual or a copy of it with the machine. If you lose this manual or need an additional copy, please contact Wacker Neuson Corporation. This machine is built with user safety in mind; however, it can present hazards if improperly operated and serviced. Follow operating instructions carefully! If you have questions about operating or servicing this equipment, please contact Wacker Neuson Corporation.

The information contained in this manual was based on machines in production at the time of publication. Wacker Neuson Corporation reserves the right to change any portion of this information without notice.

All rights, especially copying and distribution rights, are reserved.

Copyright 2009 by Wacker Neuson Corporation.

No part of this publication may be reproduced in any form or by any means, electronic or mechanical, including photocopying, without express written permission from Wacker Neuson Corporation.

Any type of reproduction or distribution not authorized by Wacker Neuson Corporation represents an infringement of valid copyrights and will be prosecuted. We expressly reserve the right to make technical modifications, even without due notice, which aim at improving our machines or their safety standards.

## CALIFORNIA

### Proposition 65 Warning:



**WARNING**

Engine exhaust, some of its constituents, and certain vehicle components, contain or emit chemicals known to the State of California to cause cancer and birth defects or other reproductive harm.

## 2. Emission Control System Information

### Source of Emissions

The combustion process produces carbon monoxide, oxides of nitrogen, and hydrocarbons. Control of hydrocarbons and oxides of nitrogen is very important because, under certain conditions, they react to form photochemical smog when subjected to sunlight. Carbon monoxide does not react in the same way, but it is toxic.

Wacker Neuson utilizes lean carburetor settings and other systems to reduce the emissions of carbon monoxide, oxides of nitrogen, and hydrocarbons.

### The U.S. and California Clean Air Acts

EPA and California regulations require all manufacturers to furnish written instructions describing the operation and maintenance of emission control systems.

The following instructions and procedures must be followed in order to keep the emissions from your Wacker Neuson engine within the emissions standards.

### Tampering and Altering

Tampering with or altering the emission control system may increase emissions beyond the legal limit. Among those acts that constitute tampering are:

- Removal or alteration of any part of the intake, fuel, or exhaust systems.
- Altering or defeating the speed-adjusting mechanism to cause the engine to operate outside its design parameters.

### Problems That May Affect Emissions

If you are aware of any of the following symptoms, have your engine inspected and repaired by your servicing dealer.

- Hard starting or stalling after starting.
- Rough idle.
- Misfiring or backfiring under load.
- Afterburning (backfiring).
- Black exhaust smoke or high fuel consumption.

## Emission Control System Information

### Replacement Parts

The emission control systems on your Wacker Neuson engine were designed, built, and certified to conform with EPA and California emissions regulations. We recommend the use of genuine Wacker Neuson parts whenever you have maintenance done. These original-design replacement parts are manufactured to the same standards as the original parts, so you can be confident of their performance. The use of replacement parts that are not of the original design and quality may impair the effectiveness of your emission control system.

A manufacturer of an aftermarket part assumes the responsibility that the part will not adversely affect emission performance. The manufacturer or rebuilder of the part must certify that use of the part will not result in a failure of the engine to comply with emission regulations.

### Maintenance

Follow the maintenance schedule. Remember that this schedule is based on the assumption that your machine will be used for its designed purpose. Sustained high-load or high-temperature operation, or use in unusually wet or dusty conditions, will require more frequent service.

### OXYGENATED FUELS

Some conventional gasolines are being blended with alcohol or an ether compound. These gasolines are collectively referred to as oxygenated fuels. To meet clean air standards, some areas of the United States and Canada use oxygenated fuels to help reduce emissions.

If you use an oxygenated fuel, be sure it is unleaded and meets the minimum octane rating requirement.

Before using an oxygenated fuel, try to confirm the fuel's contents. Some States / Provinces require this information to be posted on the pump.

The following are EPA-approved percentages of oxygenates:

**ETHANOL** - (ethyl or grain alcohol) 10% by volume. You may use gasoline containing up to 10% ethanol by volume. Gasoline containing ethanol may be marketed under the name "Gasohol". E85 fuel should **never** be used, as it is an alternative fuel containing 85% ethanol, 15% gasoline.

**MTBE** - (methyl tertiary butyl ether) 15% by volume. You may use gasoline containing up to 15% MTBE by volume.



## Emission Control System Information

**METHANOL** - (methyl or wood alcohol) 5% by volume. You may use gasoline containing up to 5% methanol by volume, as long as it contains cosolvents and corrosion inhibitors to protect the fuel system. Gasoline containing more than 5% methanol by volume may cause starting and/or performance problems. It may also damage metal, rubber, and plastic parts of your fuel system.

If you notice any undesirable operating symptoms, try another service station, or switch to another brand of gasoline.

Fuel system damage or performance problems resulting from the use of an oxygenated fuel containing more than the percentages of oxygenates mentioned above are not covered under warranty.

### **Emission Control System Warranty**

Your new Wacker Neuson engine complies with the U.S. EPA emissions regulations. Wacker Neuson provides the same emission warranty coverage for engines sold in all 50 states.

### **YOUR WARRANTY RIGHTS AND OBLIGATIONS**

#### All States

Wacker Neuson must warrant the emission control system on your engine for the period of time listed below provided there has been no abuse, neglect or improper maintenance of your engine. Where a warrantable condition exists, Wacker Neuson will repair your engine at no cost to you including diagnosis, parts and labor.

Your emission control system may include such parts as the carburetor, the ignition system and the catalytic converter.

Also included may be hoses, connectors and other emission-related assemblies.

### **MANUFACTURER'S WARRANTY COVERAGE:**

The 1998 and later engines are warranted for two years. If any emission-related part on your engine is defective, the part will be repaired or replaced by Wacker Neuson.

## Emission Control System Information

### **OWNER'S WARRANTY RESPONSIBILITY:**

As the engine owner, you are responsible for the performance of the required maintenance listed in your owner's manual. Wacker Neuson recommends that you retain all receipts covering maintenance on your engine, but Wacker Neuson cannot deny warranty coverage solely for the lack of receipts or for your failure to ensure the performance of all scheduled maintenance.

As the engine owner, you should be aware that Wacker Neuson may deny you warranty coverage if your engine or a part has failed due to abuse, neglect, improper maintenance or unapproved modifications.

You are responsible for presenting your engine to a Wacker Neuson dealer as soon as a problem exists. The warranty repairs should be completed in a reasonable amount of time, not to exceed 30 days.

If you have any questions regarding your warranty rights and responsibilities, you should contact your local Wacker Neuson dealer.

### **WARRANTY COVERAGE:**

Wacker Neuson engines sold after January 1, 1998, are covered by this Emission Control System Warranty for a period of two years from the date of delivery to the original retail purchaser. This warranty is transferable to each subsequent purchaser for the duration of the warranty period.

Warranty repairs will be made without charge for diagnosis, parts or labor. All defective parts replaced under this warranty become property of Wacker Neuson. A list of warranted parts is located on the next page. Normal maintenance items, such as spark plugs and filters, that are on the warranted parts list are warranted up to the required replacement interval only.

Wacker Neuson is also liable for damages to other engine components caused by a failure of any warranted parts during the warranty period.

Only Wacker Neuson approved replacement parts may be used in the performance of any warranty repairs and must be provided without charge to the owner. The use of replacement parts not equivalent to the original parts may impair the effectiveness of your engine emission control system. If such a replacement part is used in the repair or maintenance of your engine, and an authorized Wacker Neuson dealer determines it is defective or causes a failure of a warranted part, your claim for repair of your engine may be denied. If the part in question is not related to the reason your engine requires repair, your claim will not be denied.

### **TO OBTAIN WARRANTY SERVICE:**

You must take your Wacker Neuson product along with proof of original purchase date, at your expense, to any Wacker Neuson authorized dealer during their normal business hours. Claims for repair or adjustment found to be caused solely by defects in material or workmanship will not be denied because the engine was not properly maintained and used.

### **EXCLUSIONS:**

FAILURES OTHER THAN THOSE RESULTING FROM DEFECTS IN MATERIAL OR WORKMANSHIP ARE NOT COVERED BY THIS WARRANTY. THIS WARRANTY DOES NOT EXTEND TO EMISSION CONTROL SYSTEMS OR PARTS WHICH ARE AFFECTED OR DAMAGED BY OWNER ABUSE, NEGLIGENCE, IMPROPER MAINTENANCE, MISUSE, MISFUELING, IMPROPER STORAGE, ACCIDENT AND/OR COLLISION, THE INCORPORATION OF, OR ANY USE OF, ANY ADD-ON OR MODIFIED PARTS, UNSUITABLE ATTACHMENTS, OR THE UNAUTHORIZED ALTERATION OF ANY PART.

THIS WARRANTY DOES NOT COVER REPLACEMENT OF EXPENDABLE MAINTENANCE ITEMS MADE IN CONNECTION WITH REQUIRED MAINTENANCE SERVICES AFTER THE ITEM'S FIRST SCHEDULED REPLACEMENT AS LISTED IN THE MAINTENANCE SECTION OF THE PRODUCT OWNER'S MANUAL, SUCH AS SPARK PLUGS AND FILTERS.

DISCLAIMER OF CONSEQUENTIAL DAMAGE AND LIMITATIONS OF IMPLIED WARRANTIES:

WACKER NEUSON DISCLAIMS ANY RESPONSIBILITY FOR INCIDENTAL OR CONSEQUENTIAL DAMAGES SUCH AS LOSS OF TIME OR THE USE OF THE POWER EQUIPMENT, OR ANY COMMERCIAL LOSS DUE TO THE FAILURE OF THE EQUIPMENT; AND ANY IMPLIED WARRANTIES ARE LIMITED TO THE DURATION OF THIS WRITTEN WARRANTY. THIS WARRANTY IS APPLICABLE ONLY WHERE THE U.S. EPA EMISSION CONTROL SYSTEM WARRANTY REGULATION IS IN EFFECT.

## Emission Control System Information

<b>SYSTEMS COVERED BY THIS WARRANTY</b>	<b>PARTS DESCRIPTIONS</b>
FUEL METERING	CARBURETOR ASSEMBLY
EXHAUST SYSTEM	MUFFLER
AIR INDUCTION	AIR FILTER HOUSING AIR FILTER ELEMENT*
IGNITION	FLYWHEEL MAGNETO IGNITION MODULE SPARK PLUG CAP SPARK PLUG*
MISCELLANEOUS PARTS	TUBING, FITTINGS, SEALS, GASKETS AND CLAMPS ASSOCIATED WITH THESE LISTED ITEMS
* Indicates expendable maintenance items.	

### 3. Safety Information

This manual contains DANGER, WARNING, CAUTION, *NOTICE* and NOTE callouts which must be followed to reduce the possibility of personal injury, damage to the equipment, or improper service.



This is the safety alert symbol. It is used to alert you to potential personal injury hazards. Obey all safety messages that follow this symbol to avoid possible injury or death.



**DANGER**

DANGER indicates a hazardous situation which, if not avoided, will result in death or serious injury.



**WARNING**

WARNING indicates a hazardous situation which, if not avoided, could result in death or serious injury.



**CAUTION**

CAUTION indicates a hazardous situation which, if not avoided, could result in minor or moderate injury.

**NOTICE:** Used without the safety alert symbol, **NOTICE** indicates a situation which, if not avoided, could result in property damage.

**Note:** *Contains additional information important to a procedure.*

### 3.1 Operating Safety



**WARNING**

Familiarity and proper training are required for the safe operation of the machine. Machines operated improperly or by untrained personnel can be hazardous. Read the operating instructions contained in this manual and the engine manual, and familiarize yourself with the location and proper use of all controls. Inexperienced operators should receive instruction from someone familiar with the machine before being allowed to operate it.

- 3.1.1 NEVER operate this machine in applications for which it is not intended.
- 3.1.2 Do not allow anyone to operate this equipment without proper training. People operating this equipment must be familiar with the risks and hazards associated with it.
- 3.1.3 Do not touch the engine or muffler while the engine is on or immediately after it has been turned off. These areas get hot and may cause burns.
- 3.1.4 Do not use accessories or attachments that are not recommended by Wacker Neuson. Damage to equipment and injury to the user may result.
- 3.1.5 NEVER leave the machine running unattended.
- 3.1.6 NEVER tamper with or disable the function of operating controls.
- 3.1.7 NEVER use choke to stop engine.
- 3.1.8 NEVER operate the machine in areas where explosions may occur.
- 3.1.9 Read, understand, and follow procedures in the Operator's Manual before attempting to operate the machine.
- 3.1.10 ALWAYS be sure that all other persons are at a safe distance from the machine. Stop the machine if people step into the working area of the machine.
- 3.1.11 Be sure operator is familiar with proper safety precautions and operation techniques before using machine.
- 3.1.12 ALWAYS wear protective clothing appropriate to the job site when operating the machine.
- 3.1.13 Wear hearing protection when operating equipment.
- 3.1.14 ALWAYS keep hands, feet, and loose clothing away from moving parts of the machine.
- 3.1.15 ALWAYS use common sense and caution when operating the machine.
- 3.1.16 ALWAYS be sure the rammer will not tip over, roll, slide, or fall when not being operated.
- 3.1.17 ALWAYS turn the engine OFF when the rammer is not being operated.

- 3.1.18 ALWAYS guide the rammer in such a way that the operator is not squeezed between the rammer and solid objects. Special care is required when working on uneven ground or when compacting coarse material. Make sure to stand firmly when operating the machine under such conditions.
- 3.1.19 ALWAYS operate the rammer in such a way that there is no danger of it turning over or falling in, when working near the edges of breaks, pits, slopes, trenches and platforms.
- 3.1.20 Store the machine properly when it is not being used. The machine should be stored in a clean, dry location out of the reach of children.
- 3.1.21 Close fuel valve on engines equipped with one when machine is not being operated.
- 3.1.22 Always operate machine with all safety devices and guards in place and in working order. Do not modify or defeat safety devices. Do not operate machine if any safety devices or guards are missing or inoperative.

### 3.2 Operator Safety while using Internal Combustion Engines



Internal combustion engines present special hazards during operation and fueling. Read and follow the warning instructions in the engine owner's manual and the safety guidelines below. Failure to follow the warnings and safety standards could result in severe injury or death.

- 3.2.1 Do not smoke while operating the machine.
- 3.2.2 Do not smoke when refueling the engine.
- 3.2.3 Do not refuel a hot or running engine.
- 3.2.4 Do not refuel the engine near an open flame.
- 3.2.5 Do not spill fuel when refueling the engine.
- 3.2.6 Do not run the engine near open flames.
- 3.2.7 Do not run the machine indoors or in an enclosed area such as a deep trench unless adequate ventilation, through such items as exhaust fans or hoses, is provided. Engine exhaust contains carbon monoxide. This is a poison you cannot see or smell. Exposure to carbon monoxide can cause loss of consciousness and **CAN KILL YOU IN MINUTES.**
- 3.2.8 Refill the fuel tank in a well-ventilated area.
- 3.2.9 Replace the fuel tank cap after refueling.
- 3.2.10 ALWAYS check the fuel lines and the fuel tank for leaks and cracks before starting the engine. Do not run the machine if fuel leaks are present or the fuel lines are loose.

### 3.3 Service Safety

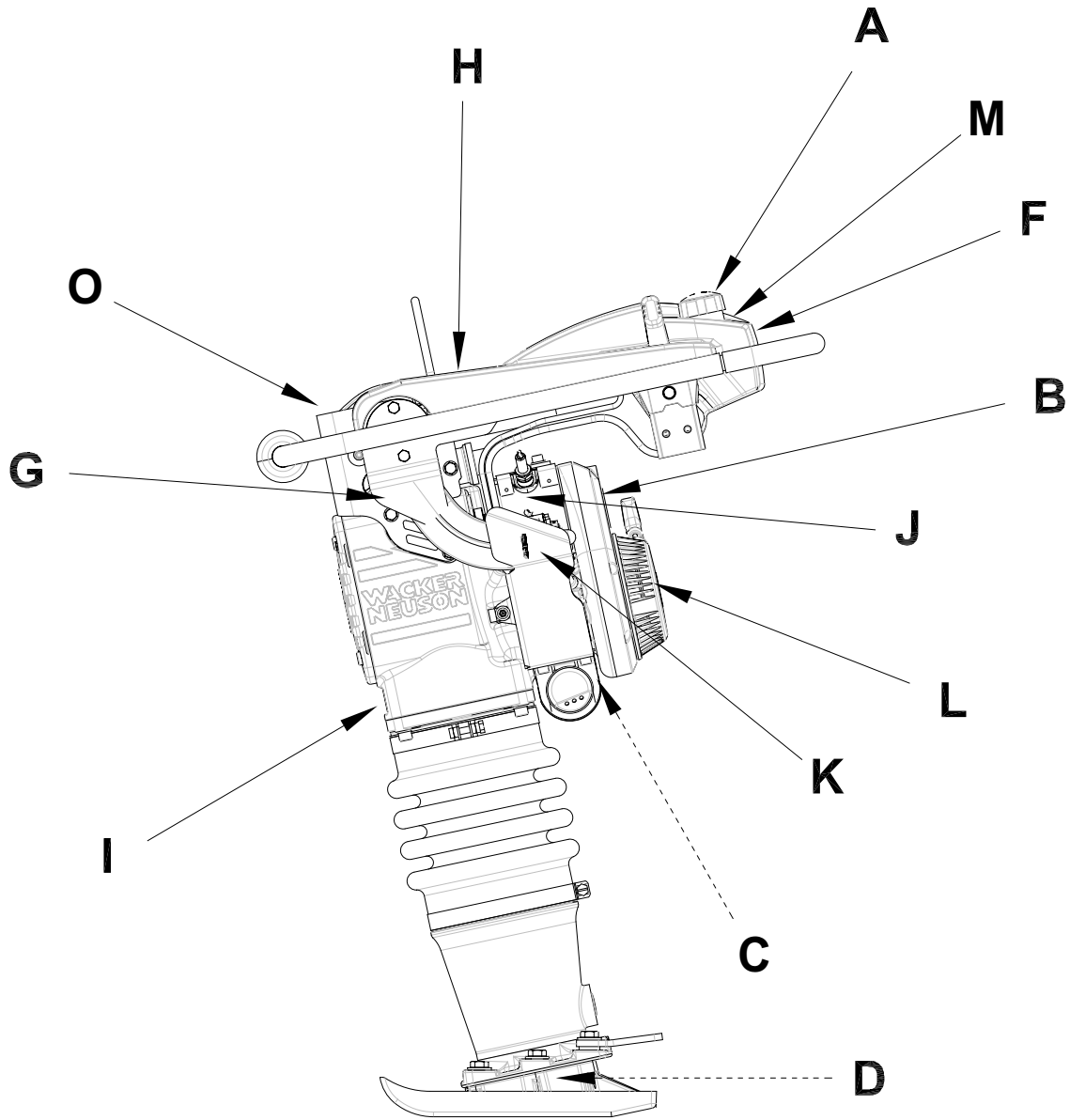
**WARNING**

A poorly maintained machine can become a safety hazard! In order for the machine to operate safely and properly over a long period of time, periodic maintenance and occasional repairs are necessary.

- 3.3.1 Do not attempt to clean or service the machine while it is running. Rotating parts can cause severe injury.
- 3.3.2 DO NOT operate the machine without an air cleaner.
- 3.3.3 DO NOT remove air cleaner cover, paper element, or precleaner while engine is running.
- 3.3.4 DO NOT alter engine speeds. Run the engine only at speeds specified in the Technical Data Section.
- 3.3.5 Do not crank a flooded engine with the spark plug removed on gasoline-powered engines. Fuel trapped in the cylinder will squirt out the spark plug opening.
- 3.3.6 Do not test for spark on gasoline-powered engines if the engine is flooded or the smell of gasoline is present. A stray spark could ignite the fumes.
- 3.3.7 Do not use gasoline or other types of fuels or flammable solvents to clean parts, especially in enclosed areas. Fumes from fuels and solvents can become explosive.
- 3.3.8 ALWAYS replace the safety devices and guards after repairs and maintenance.
- 3.3.9 Keep the area around the muffler free of debris such as leaves, paper, cartons, etc. A hot muffler could ignite the debris and start a fire.
- 3.3.10 ALWAYS do periodic maintenance as recommended in the Operator's Manual.
- 3.3.11 ALWAYS clean debris from engine cooling fins.
- 3.3.12 Replace worn or damaged components with spare parts designed and recommended by Wacker Neuson Corporation.
- 3.3.13 Disconnect the spark plug on machines equipped with gasoline engines, before servicing, to avoid accidental start-up.
- 3.3.14 Keep the machine clean and labels legible. Replace all missing and hard-to-read labels. Labels provide important operating instructions and warn of dangers and hazards.
- 3.3.15 ALWAYS follow instructions when disconnecting fuel lines. Failure to do so may result in fuel squirting from fuel system.



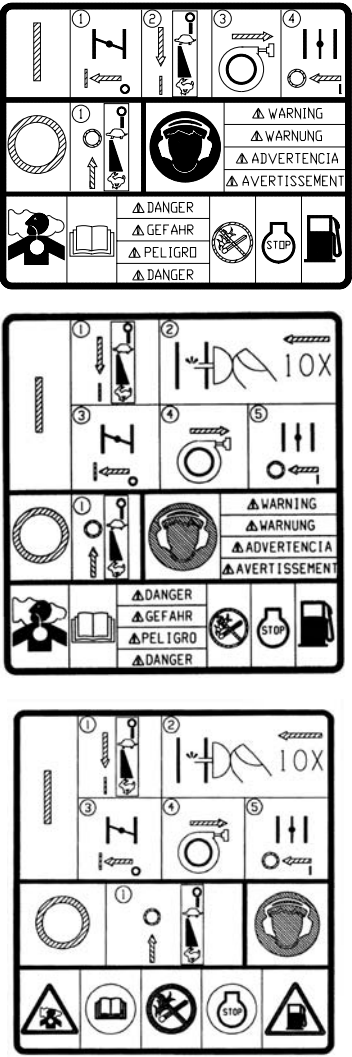
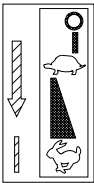
3.4 Label Locations

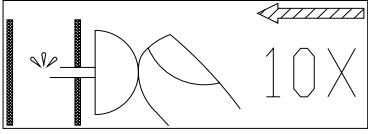
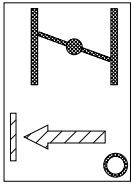
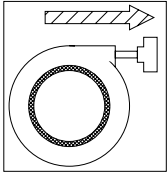
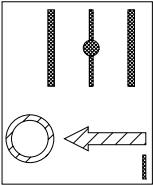
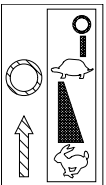
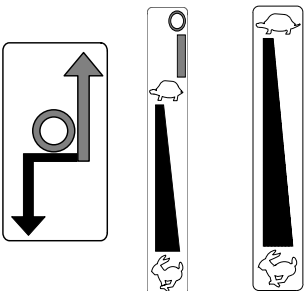


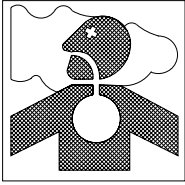
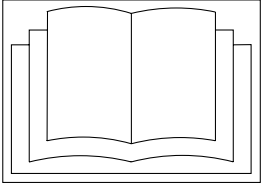

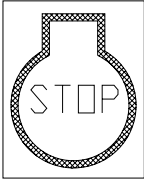
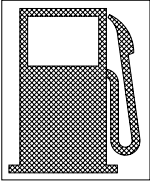
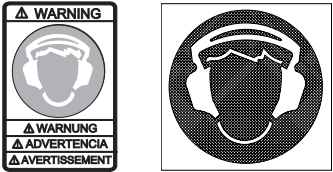
wc\_gr005323

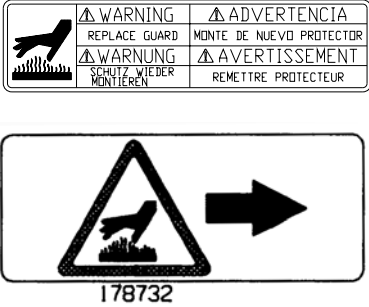

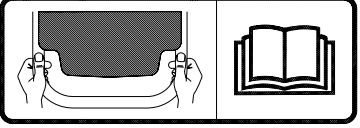

3.5 Safety and Operating Labels

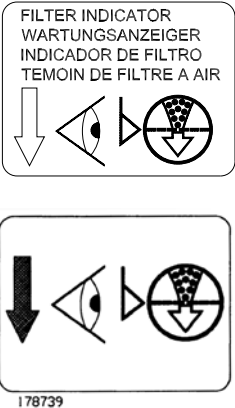
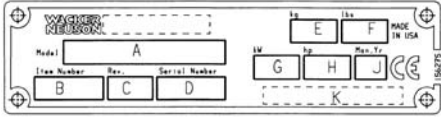
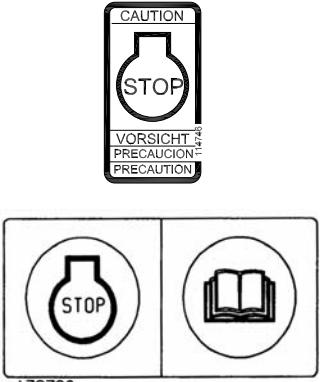
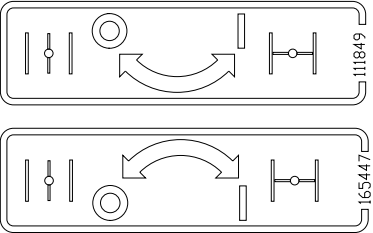
Wacker Neuson machines use international pictorial labels where needed. These labels are described below:



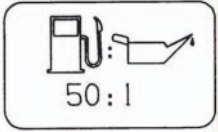
Ref.	Label	Meaning
A	 <p>179263</p>	<p>This molded-in label contains important safety and operating information. If it becomes illegible, the cover must be replaced. Refer to the Parts Book for ordering information.</p>
--		<p>Place the throttle control lever in the “start” position.</p>

Ref.	Label	Meaning
--		<p>If machine is equipped, pump the purge bulb 6 to 10 times or until you see fuel in bulb.</p>
--		<p>Close the choke.</p>
--		<p>Pull the rewind starter.</p>
--		<p>Open the choke.</p>
--		<p>Place the throttle control lever in the "stop" position.</p>
--		<p>Throttle control lever:                      0 = Stop                      Turtle = Start or Idle                      Rabbit = Full or Fast</p>

Ref.	Label	Meaning
--		<p><b>DANGER!</b> Engines emit carbon monoxide; operate only in well-ventilated area.</p>
--		<p>Read the Operator's Manual for machine information.</p>
--		<p><b>DANGER!</b> No sparks, flames or burning objects near machine.</p>
--		<p>Shut off the engine before refueling.</p>
--		<p><b>CAUTION!</b> Use only clean, filtered gasoline fuel.</p>
B		<p><b>WARNING!</b> To prevent hearing loss, wear hearing protection when operating the machine.</p>

Ref.	Label	Meaning
C		<p><b>WARNING!</b> Hot surface! Replace guard!</p>
D		<p><b>WARNING!</b> Serious injury if struck by compressed spring or cover. If the spring system cover is removed improperly, the springs can eject.</p>
F		<p>For optimal control, performance, and minimal hand/arm vibration, grasp handle as shown.</p> <p>Refer to Section <i>Proper Operation</i> for further details.</p>
G		<p>Guaranteed sound power level in dB(A).</p>

Ref.	Label	Meaning
H	 <p>FILTER INDICATOR WARTUNGSANZEIGER INDICADOR DE FILTRO TEMOIN DE FILTRE A AIR</p> <p>178739</p>	<p>The air intake system is equipped with a filter indicator, which indicates when a filter change is required. Replace main paper filter element when yellow plunger of the indicator appears in or near the red line.</p>
I		<p>A nameplate listing the model number, item number, revision number, and serial number is attached to each unit. Please record the information found on this plate so it will be available should the nameplate become lost or damaged. When ordering parts or requesting service information, you will always be asked to specify the model number, item number, revision number, and serial number of the unit.</p>
J	 <p>178790</p>	<p>Engine stop button: Press to stop engine.</p>
K	 <p>111849</p> <p>165447</p>	<p>Choke: 0 = Open I = Closed</p>

Ref.	Label	Meaning
L		<p>This engine is certified to operate on regular unleaded gasoline mixed with two cycle oil at 50:1-100:1 ratio.</p>
--		<p>This machine may be covered by one or more patents.</p>
		<p>This rammer engine requires a two-cycle gasoline/oil mixture (50:1)</p> <p>With standard two-cycle oil use 50:1 ratio.</p> <p>With Wacker Neuson Neuson two-cycle or other oil meeting the NMMA TC-W3 specification, a ratio from 50:1 to 100:1 can be used.</p>

**4. Operation**

**4.1 Application**

Rammers are designed to compact loose soils and gravel to prevent settling and to provide a firm, solid base for the placement of footings, concrete slabs, foundations, and other structures.

**4.2 Recommended Fuel**

This rammer engine requires a two-cycle gasoline/oil mixture.

With standard two-cycle oil use 50:1 ratio.

With Wacker Neuson two-cycle or other oil meeting the NMMA TC-W3 specification, a ratio from 50:1 to 100:1 can be used.

Mix regular unleaded gasoline and two-cycle/outboard motor oil in separate container before filling tank.

FUEL RATIO 50:1				FUEL RATIO 100:1			
Gasoline	Oil	Gasoline	Oil	Gasoline	Oil	Gasoline	Oil
5 liters	100 ml	1 gallon	2.5 oz.	5 liters	50 ml	1 gallon	1.75 oz.
10 liters	200 ml	3 gallons	8.0 oz.	10 liters	100 ml	3 gallons	4.0 oz.
15 liters	300 ml	5 gallons	13.0 oz.	15 liters	150 ml	5 gallons	6.5 oz.

**4.3 Before Starting**

4.3.1 Read safety instructions at the beginning of this manual.

4.3.2 Fill tank with proper fuel mixture.

4.3.3 Place rammer on loose soil or gravel. DO NOT start rammer on hard surfaces such as asphalt or concrete.

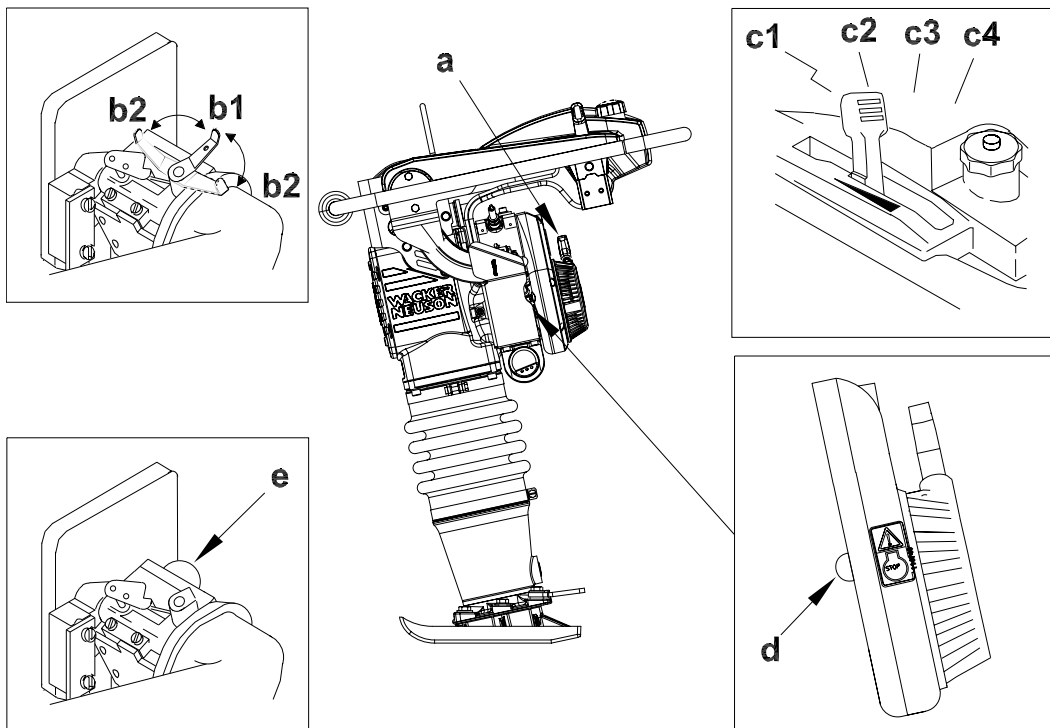


## 4.4 To Start

See Graphic: *wc\_gr005324*

- 4.4.1 Open throttle to full position (**c4**). This will automatically turn on the flow of fuel.
- 4.4.2 If machine is equipped, pump the purge bulb (**e**) 6 to 10 times or until you see fuel in bulb.
- 4.4.3 Close choke (**b1**).
- 4.4.4 Pull starter rope (**a**). Repeat until engine starts. Multiple pulls (typically less than 5 pulls) may be required to start an engine:
- that has not been run before.
  - that has not been run for a long period of time (a week or more.)
  - that has been run completely out of fuel.
  - in cold weather conditions.
- 4.4.5 Reduce throttle to idle (**c2**) or high idle (**c3**) position.
- 4.4.6 Gradually open the choke (**b2**). Allow engine to warm until it will idle with the choke fully open.

**Note:** A warm up period of about one minute may be required in cold weather.



wc\_gr005324

4.5 To Stop

See Graphic: *wc\_gr005324*

- 4.5.1 Place throttle in the idle position **(c2)**.
- 4.5.2 Shut off the engine by moving the throttle through the detent to the off position **(c1)**. The engine will stop and the fuel valve will close.

**Note:** *If the throttle control wire should break, shut off the rammer manually by using the engine STOP button **(d)**.*

4.6 Proper Operation

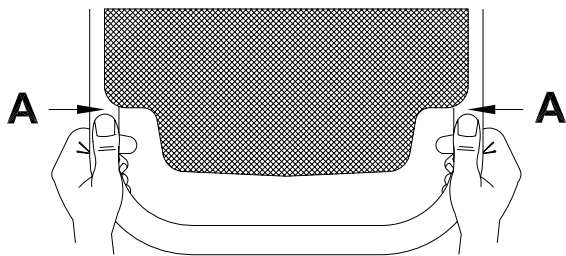
See Graphic: *wc\_gr002612, wc\_gr005325*

Keep vibratory rammer clean and dry. Avoid no-load strokes. Never allow the rammer to run full throttle when forcing away material or when lifting the equipment.

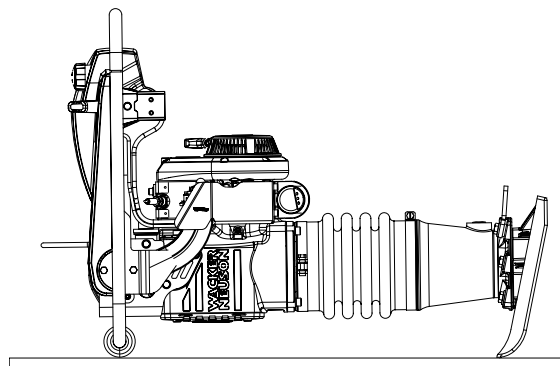
For optimal control, performance, and minimal hand/arm vibration, grasp handle as shown. Hand/arm vibration (HAV) has been optimized for this positioning. Reported HAV levels are measured at position **A** just in front of the hand position shown in conformance with EN1033 and ISO 5349.

**NOTICE:** To prevent damage to the rammer, do not allow the rammer to run on its side.

If the rammer should tip on its side, place the rammer in the position shown, then shut off the engine by moving the throttle control lever through the detent to the off position.



*wc\_gr002612*

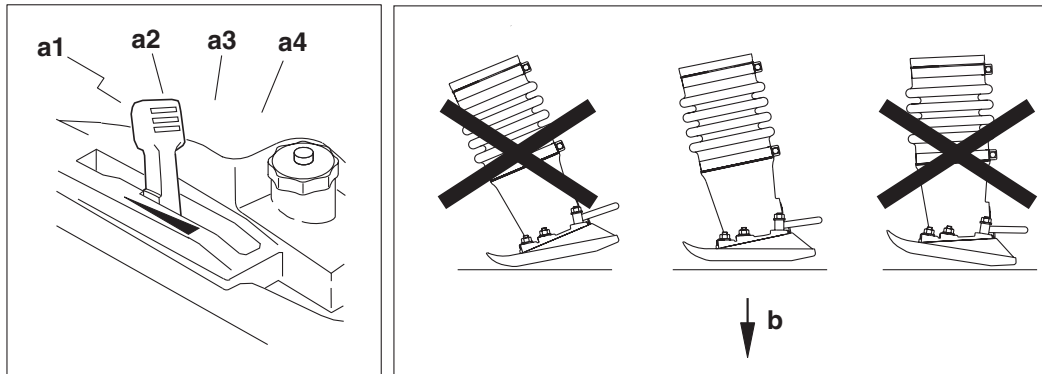


*wc\_gr005325*

## 4.7 Proper Compaction

See Graphic: *wc\_gr000045*

- 4.7.1 Run rammer at the full throttle position (**a4**) for maximum performance.
- 4.7.2 Guide rammer with its handle. Allow machine to pull itself forward. DO NOT try to over-power the machine.
- 4.7.3 For best compaction, the shoe must hit the ground flat (**b**), not on its toe or heel. This will save on excessive shoe wear.



wc\_gr000045

5. Maintenance

5.1 Periodic Maintenance Schedule

	Daily before starting	After first 5 hours	Every week or 25 hours	Every month or 100 hours	Every 3 months or 300 hours	Every Year
Check fuel level.	▪					
Check air filter indicator. Replace as needed.	▪					
Check ramming system oil level in sightglass.	▪					
Check fuel line and fittings for cracks or leaks. Replace as needed.	▪					
Tighten ramming shoe hardware.		▪	▪			
Check engine cylinder screws.		▪	▪			
Check external hardware.		▪	▪			
Clean engine cooling fins.			▪			
Clean and check spark plug gap.			▪			
Replace spark plug.				▪		
Clean recoil starter.					▪	
Change ramming system oil.*					▪	
Clean engine muffler and exhaust port.					▪	
Inspect crane lifting cable for wear, damage, or abuse.					▪	▪
Inspect fuel filter.						▪

\* Change ramming system oil after first 50 hours of operation.

**Note:** If engine performance is poor, check, clean, and replace air filter elements as needed.

## 5.2 Servicing Air Cleaner

See Graphic: wc\_gr001168



NEVER use gasoline or other types of low flash point solvents for cleaning the air filter. A fire or explosion could result.

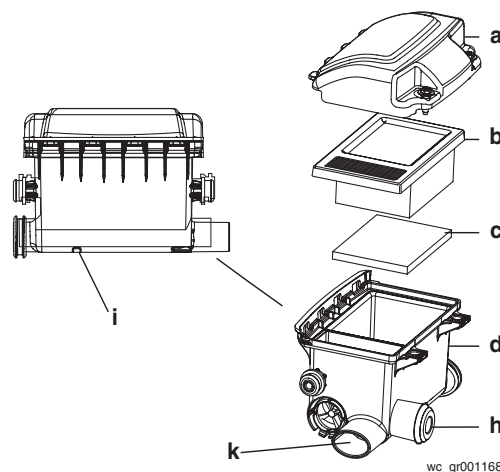
**NOTICE:** NEVER run engine without main paper filter element **(b)**. Severe engine damage will occur.

### Filter Indicator

The air intake system is equipped with a filter indicator **(h)**, which indicates when a filter change is required. Replace the main paper filter element **(b)** when the yellow plunger of the indicator appears in or near the red line. Push and hold in the yellow plunger on top of the indicator to reset it after replacing the main paper filter element.

Clean elements using the following procedure:

- 5.2.1 Remove the air cleaner cover **(a)**. Remove the main paper filter element **(b)** and the secondary prefilter **(c)** and inspect them for holes or tears. Replace the elements if they are damaged.
  - 5.2.2 Main paper filter element **(b)**: Replace the main paper filter element if it appears heavily soiled and/or when the yellow plunger of indicator appears in or near the red line.
  - 5.2.3 Prefilter **(c)**: Clean it with low-pressure compressed air. When the prefilter is very soiled, wash it in a solution of mild detergent and warm water. Rinse it thoroughly in clean water. Allow the prefilter to dry thoroughly before reinstalling it.
- Note:** Do not oil the prefilter.
- 5.2.4 Wipe out the filter housing **(d)** with a clean cloth. Do not use compressed air.
- NOTICE:** Do not allow dirt to get into the engine intake port **(k)** while cleaning. Damage to engine will result.
- 5.2.5 Check that the precleaner debris ejector slot **(i)** is clear.



wc\_gr001168

### 5.3 Lubrication

See Graphic: *wc\_gr005326*

#### Ramming system

##### Check oil level:

- 5.3.1 Tilt the machine backwards approximately 15° until the engine is level by placing a wedge under the shoe.
- 5.3.2 Check the oil level through oil sightglass **(d)**. Proper ramming system lubrication is indicated when approximately 1/2–3/4 of the sightglass is full.
- 5.3.3 If the oil is not visible, oil must be added through the sightglass port. Tilt rammer forward and remove sightglass **(d)**. See *Technical Data* for oil quantity and type.
- 5.3.4 Wrap the sightglass threads with teflon tape. Install the sightglass **(d)**. Torque to 9 Nm (6 ft.lbs.).

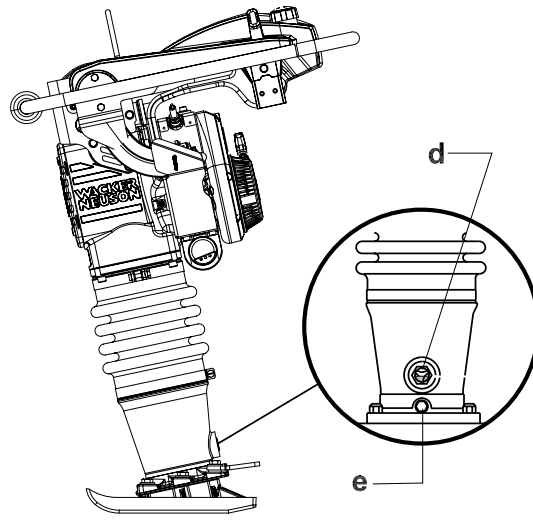
**Note:** *After transporting the rammer horizontally, upright the rammer and allow the oil to drain back through the engine. It may take up to 45 minutes for the oil level to recover.*

##### Oil change:

- 5.3.5 To drain oil, remove sightglass **(d)** and tilt the machine back until it is resting on its handle.

**Note:** *In the interests of environmental protection, place a plastic sheet and a container under the machine to collect any liquid which drains off. Dispose of this liquid in accordance with environmental protection legislation.*

- 5.3.6 Remove sightglass **(d)** and fill with oil. See *Technical Data* for oil quantity and type. Wrap the sightglass threads with teflon tape. Install the sightglass **(d)**. Torque to 9 Nm (6 ft.lbs.).



wc\_gr005326

## 5.4 Fuel Lines

See Graphic: wc\_gr005327



CAUTION

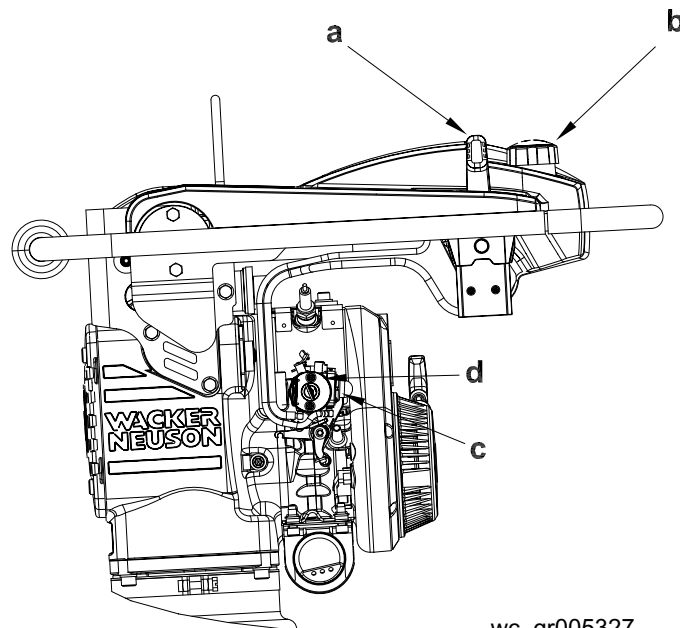
ALWAYS follow the instructions when disconnecting the fuel lines. Failure to do so may result in fuel leaking from the fuel system.

To disconnect the fuel lines:

- 5.4.1 Shut off the engine by moving the throttle through the detent to the off position **(a)**. The engine will stop and the fuel valve will close.
- 5.4.2 Open the fuel cap **(b)** to relieve normal operating pressure, and then retighten it.
- 5.4.3 Remove the protective guard.
- 5.4.4 Pinch off both the fuel feed line **(c)** and the vent line **(d)** as close to the carburetor as possible.
- 5.4.5 Carefully remove the fuel lines and drain the fuel left in the fuel lines into an approved container.

**Note:** *In the interests of environmental protection, place a plastic sheet and a container under the machine to collect any liquid which drains off. Dispose of this liquid in accordance with environmental protection legislation.*

- 5.4.6 After service is complete, reconnect the lines to the proper fittings. Reconnect the fuel feed line **(c)** from the valve to the lower fitting and the vent line **(d)** from the top of the tank to the upper fitting.
- 5.4.7 Replace the protective guard.



wc\_gr005327



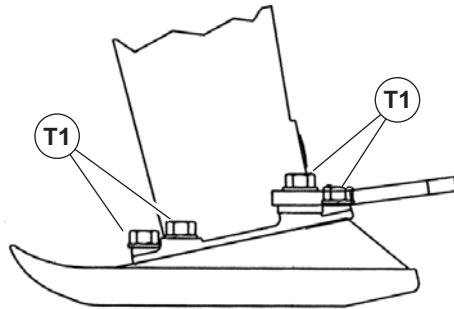
5.5 Shoe Hardware

See Graphic: *wc\_gr005385*

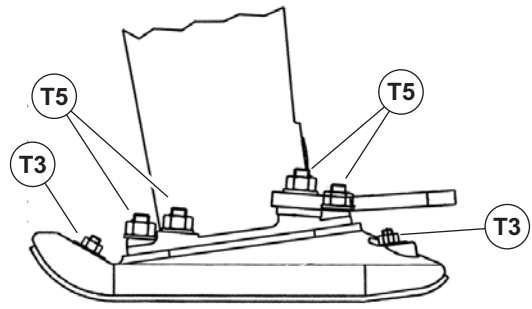
On new machines, or after replacing shoe, check and tighten shoe hardware after the first 5 hours of operation. Inspect hardware every week thereafter.

Torque hardware as specified.

Cast Iron Shoe



Plastic Shoe



wc\_gr005385

Torque	Nm	Ft.lbs.
T1	86	63
T3	19	14
T5	78.7	58

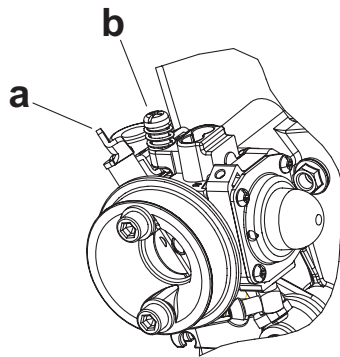
## 5.6 Carburetor Adjustments

See Graphic: *wc\_gr004670*

Refer to *Technical Data* for correct idle and operating rpm. For best accuracy, use a tachometer when making carburetor adjustments.

- 5.6.1 Start engine and allow it to warm up to operating temperature.
- 5.6.2 Set engine idle speed with engine running at idle and choke **(a)** fully open. Adjust idle speed screw **(b)**, in or out, to obtain correct idle speed.

**NOTICE:** DO NOT turn the adjusting screw in too tight or you may damage the carburetor.



wc\_gr004670

## 5.7 Long-Term Storage

- 5.7.1 Drain the fuel from the tank.
- 5.7.2 Start the engine and run it until remaining fuel is used.
- 5.7.3 Remove the spark plug. Pour approximately 30 ml (1 oz.) of clean SAE 10W30 engine oil into the cylinder through the spark plug opening.
- 5.7.4 Pull the starter rope slowly to distribute oil in the engine.
- 5.7.5 Re-install the spark plug.

## 5.8 Transportation

See Graphic: *wc\_gr005328*

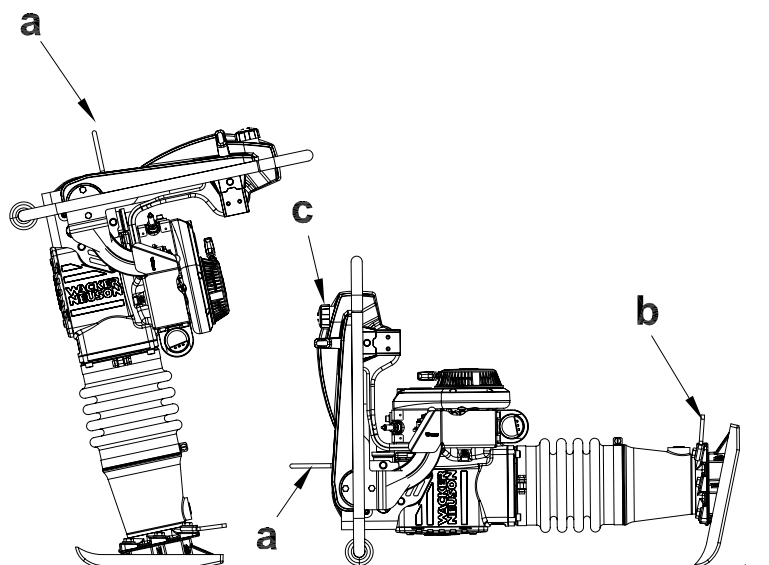
- 5.8.1 Always shut off the engine and close the fuel valve when transporting the machine.
- 5.8.2 Make sure the lifting device has enough capacity to hold the machine (see identification plate on the machine for weight).
- 5.8.3 Use the central lifting point **(a)** when lifting the machine.



Always inspect the crane lifting cable for wear, damage, or abuse. Protect the cable from any sharp edges. Do not use the cable if there are any signs of cut wires, excessive wear, or other defects. Replace the damaged cable immediately to avoid injury or death.

- 5.8.4 Tie down the machine on the vehicle to prevent it from tipping, falling, or rolling. Lay the machine down flat and tie it to the vehicle at points **(a)** and **(b)**.

**NOTICE:** Drain the fuel tank as required to prevent fuel leaking from cap **(c)**.



wc\_gr005328

## 5.9 Troubleshooting

Problem / Symptom	Reason / Remedy
Engine does not start, or stalls.	<ul style="list-style-type: none"> <li>• No fuel in tank.</li> <li>• Spark plug fouled.</li> <li>• Fuel valve closed.</li> </ul>
Engine does not accelerate, is hard to start, or runs erratically.	<ul style="list-style-type: none"> <li>• Improper fuel mix. Too much oil.</li> <li>• Spark plug fouled.</li> <li>• Clean muffler and exhaust port.</li> <li>• Crankshaft seals are leaking.</li> <li>• Check air cleaner.</li> </ul>
Engine overheats.	<ul style="list-style-type: none"> <li>• Improper fuel mix. Not enough oil.</li> <li>• Clean cooling fins and fan blades.</li> </ul>
Engine runs, rammer does not tamp.	<ul style="list-style-type: none"> <li>• Inspect clutch for damage. Replace if necessary.</li> <li>• Broken connecting rod or crankgear.</li> <li>• Low engine performance. Compression loss. Plugged exhaust port.</li> </ul>
Engine runs, rammer operation is erratic.	<ul style="list-style-type: none"> <li>• Oil/grease on clutch.</li> <li>• Broken/worn springs.</li> <li>• Soil buildup on ramming shoe.</li> <li>• Broken parts in ramming system or crankcase.</li> <li>• Engine operating speed is too high.</li> </ul>

## 6. Technical Data

## 6.1 Rammer

**Engine Power Rating**

Net power rating per 80/1269/EEC and ISO 3046-1. Actual power output may vary due to conditions of specific use.

Item Number:	<b>BS 50-2</b>	
<b>Rammer</b>		
Engine model	type	WM80
Engine speed - operating	rpm	4400 ± 100
Engine speed - idle	rpm	1800 ± 100
Max. rated power @ rated speed	kW/Hp	1.7 (2.2) @ 4400 rpm
Clutch engagement	rpm	2500 ± 100
Spark plug	type	Champion RL95YC
Electrode gap	mm (in)	0.5 (.020)
Cylinder head compression (cold)	bar/cm <sup>3</sup> (psi)	8.0–9.7 (120–140)
Air cleaner	type	Three stage with cyclonic precleaner
Engine lubrication	oil grade	With standard two-cycle oil use 50:1 ratio. With Wacker Neuson two-cycle or other oil meeting the NMMA TC-W3 specification, a ratio from 50:1 to 100:1 can be used.
Fuel tank capacity	l (qts.)	3.0 (3.2)
Fuel consumption	l(qt.)/hr	1.0 (1.1)
Running time	hour	2.9
Ramming system lubrication	oil grade	SAE 10W30
Ramming system capacity	ml (oz.)	562 (19)

## 6.2 Sound Measurements

Products are tested for sound pressure level in accordance with EN ISO 11204. Sound power level is tested in accordance with European Directive 2000/14/EC - Noise Emission in the Environment by Equipment for use outdoors.

- the sound pressure level at operator's location ( $L_{pA}$ ) = 95 dB(A).
- the guaranteed sound power level ( $L_{WA}$ ) = 108 dB(A).

## 6.3 Vibration Measurements

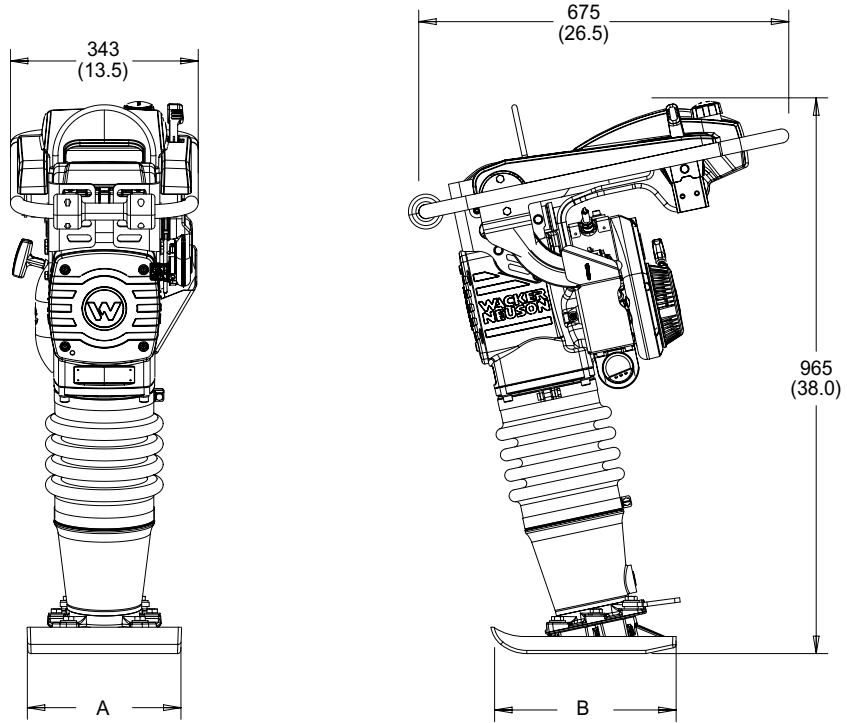
Products are tested for hand/arm vibration (HAV) level in accordance with ISO 5349, EN1033, and EN500-4 where applicable.

- HAV  $9.8 \text{ m/s}^2 = 0009380, 0009382, 0009410, 0009411, 0620609, 0620733$
- HAV  $5.4 \text{ m/s}^2 = 0009384, 0009413, 0620025, 0620048, 0620610$

Refer to Section *Proper Operation* for further details.

**6.4 Dimensions**

mm (in.)



wc\_gr005329

Machine	Item Number	A mm (in.)	B mm (in.)
BS 50-2	0009384	250 (9.84)	337 (13.25)
	0009410	280 (11.03)	337 (13.25)
	0009411	250 (9.84)	337 (13.25)
	0009413	280 (11.03)	344 (13.55)
	0620025	165 (6.50)	337 (13.25)
	0620048	190 (7.50)	344 (13.55)
	0620609	250 (9.84)	337 (13.25)
	0620610	280 (11.03)	344 (13.55)
	0620733	280 (11.03)	337 (13.25)







# WACKER NEUSON

## EC DECLARATION OF CONFORMITY CE-KONFORMITÄTSERKLÄRUNG DECLARACIÓN DE CONFORMIDAD DE LA CE DÉCLARATION DE CONFORMITÉ C.E.

WACKER NEUSON CORPORATION, N92 W15000 ANTHONY AVENUE, MENOMONEE FALLS, WISCONSIN USA

AUTHORIZED REPRESENTATIVE IN THE EUROPEAN UNION BEVOLLMÄCHTIGTER VERTRETER FÜR DIE EUROPÄISCHE GEMEINSCHAFT REPRESENTANTE AUTORIZADO EN LA UNIÓN EUROPEA REPRÉSENTANT AGRÉÉ AUPRÈS DE L'UNION EUROPÉENNE	<b>WACKER CONSTRUCTION EQUIPMENT AG</b> <b>Preußenstraße 41</b> <b>80809 München</b>
---	--

hereby certifies that the construction equipment specified hereunder / bescheinigt, daß das Baugerät / certifica que la máquina de construcción / atteste que le matériel :

1. Category / Art / Categoría / Catégorie

**Vibratory Rammers**  
**Vibrationsstampfer**  
**Apisonadoras Vibratorias**  
**Pilonneuses Vibrantes**

2. Type - Typ - Tipo - Type

**BS 50-2, BS 50-2i**

3. Item number of equipment / Artikelnummer / Número de referencia de la máquina / Numéro de référence du matériel :

**0009384, 0009410, 0009411, 0009413, 0620025, 0620048,**

**0009412, 0009414, 0009416, 0009473, 0620026**

4. Net installed power / absolute installierte Leistung / Potencia instalada neta / Puissance installée nette :

**BS 50-2, BS 50-2i 1,7 kW**

Has been sound tested per Directive 2000/14/EC / In Übereinstimmung mit Richtlinie 2000/14/EG bewertet worden ist / Ha sido ensayado en conformidad con la norma 2000/14/CE / A été mis à l'épreuve conforme aux dispositions de la directive 2000/14/CEE :

Conformity Assessment Procedure / Konformitätsbewertungsverfahren / Procedimiento para ensayar conformidad / Procédé pour l'épreuve de conformité	Name and address of notified body / Bei folgender einbezogener Prüfstelle / Oficina matriculadora / Organisme agréé	Measured sound power level / Gemessener Schalleistungspegel / Nivel de potencia acústica determinado / Niveau de puissance acoustique fixé	Guaranteed sound power level / Garantierter Schalleistungspegel / Nivel de potencia acústica garantizado / Niveau de puissance acoustique garanti
<b>Annex VIII / Anhang VIII Anexo VIII / Annexe VIII</b>	<b>BSI Product Services, Maylands Ave, Hemel Hempstead, Herts, HP2 4SQ, UK.</b>	<b>106 dB(A)</b>	<b>108 dB(A)</b>

and has been produced in accordance with the following standards:

und in Übereinstimmung mit folgenden Richtlinien hergestellt worden ist:

y ha sido fabricado en conformidad con las siguientes normas:

et a été produit conforme aux dispositions des directives européennes ci-après :

**2000/14/EC**  
**2004/26/EC**  
**89/336/EEC**  
**98/37/EEC**  
**EN 500-1**  
**EN 500-4**

15.07.08

William Lahner  
Vice President of Engineering

Paul Sina  
Manager, Product Engineering

Date / Datum / Fecha / Date

**WACKER NEUSON CORPORATION**

